
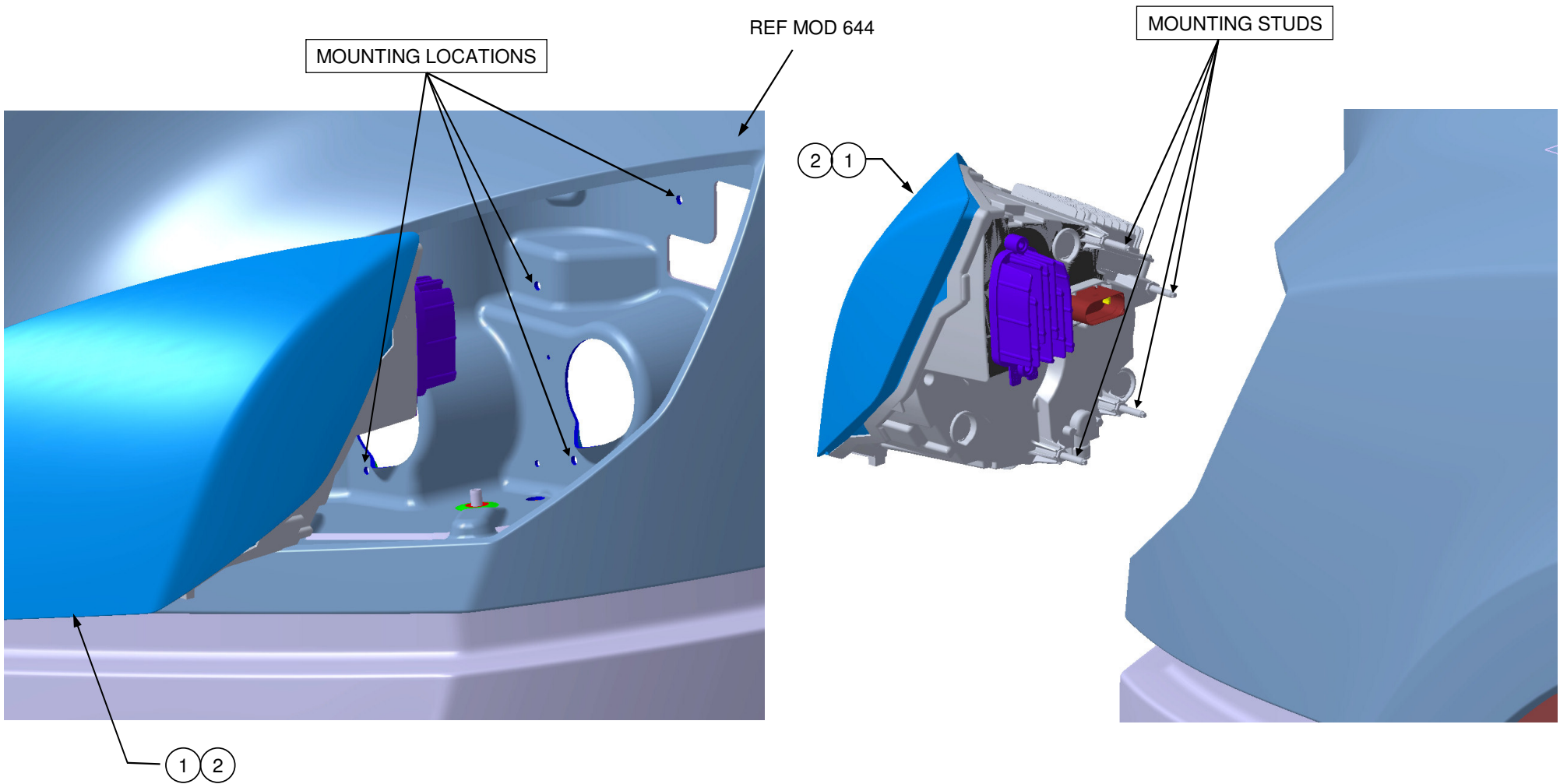


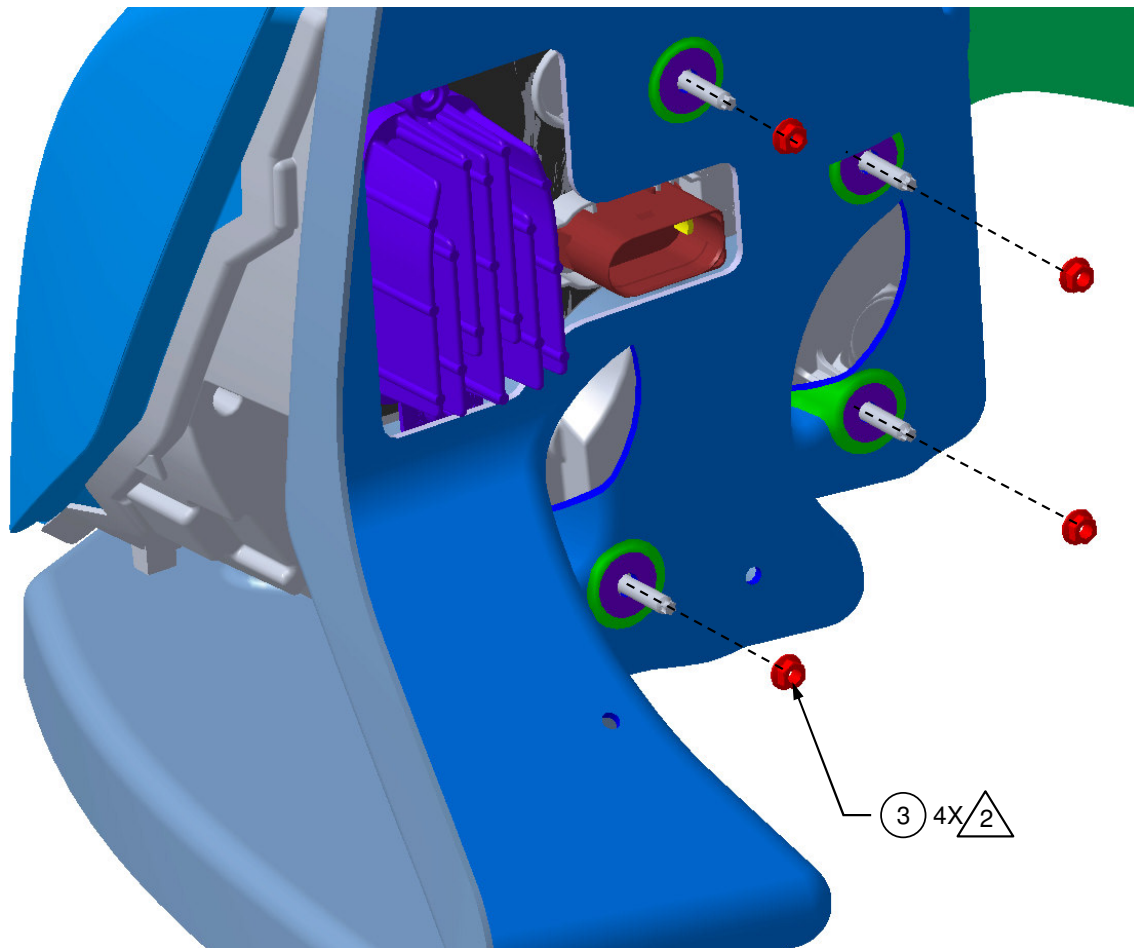
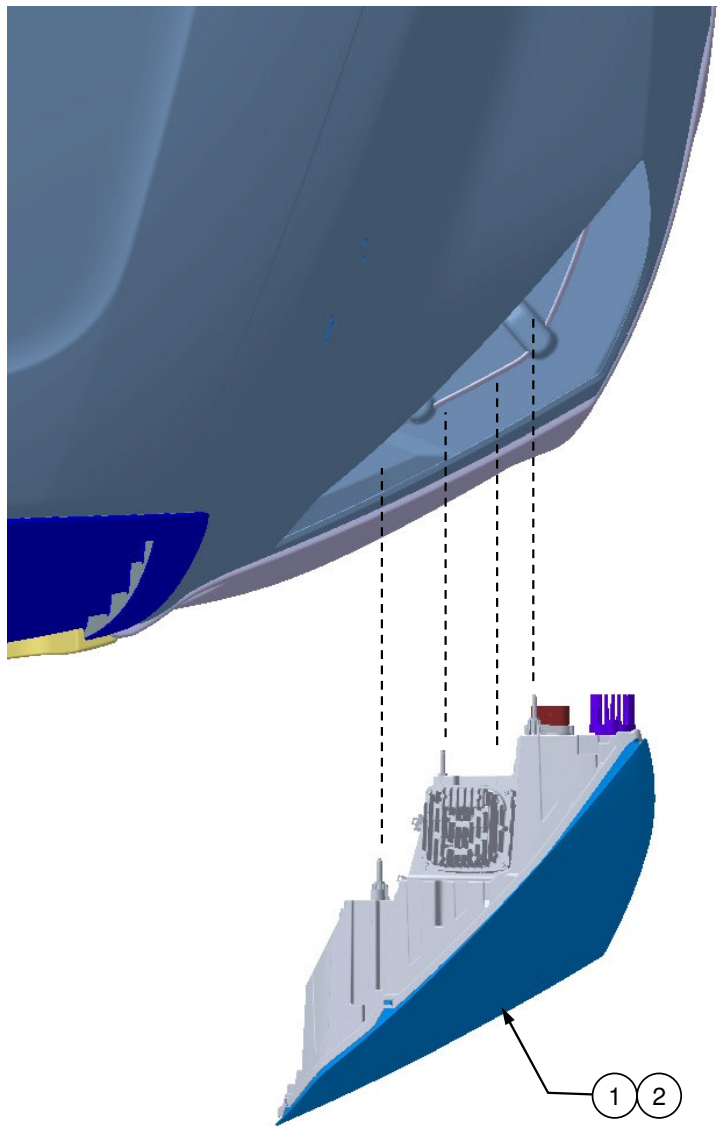
RELEASE NUMBER	REV LTR	REVISION DESCRIPTION	BY	DATE	APPD
P45497-35	-	INITIAL RELEASE	CLC	04/14/14	DJJ
P45497-43	A	ADDED SH 4 TO SHOW HDLT ADJUSTMENT HOLE AND ACCESS LOCATION.	CAP	07/09/14	DJJ
P45497-A2	B	UPDATED TORQUE NOTE 2.	CAP	04/13/16	DJJ



1. THIS DIAGRAM SHOWS LH ONLY. RH OPPOSITE
2. TORQUE M6 FASTENERS TO 7.25±1 NM (5.5 LBS-FT)

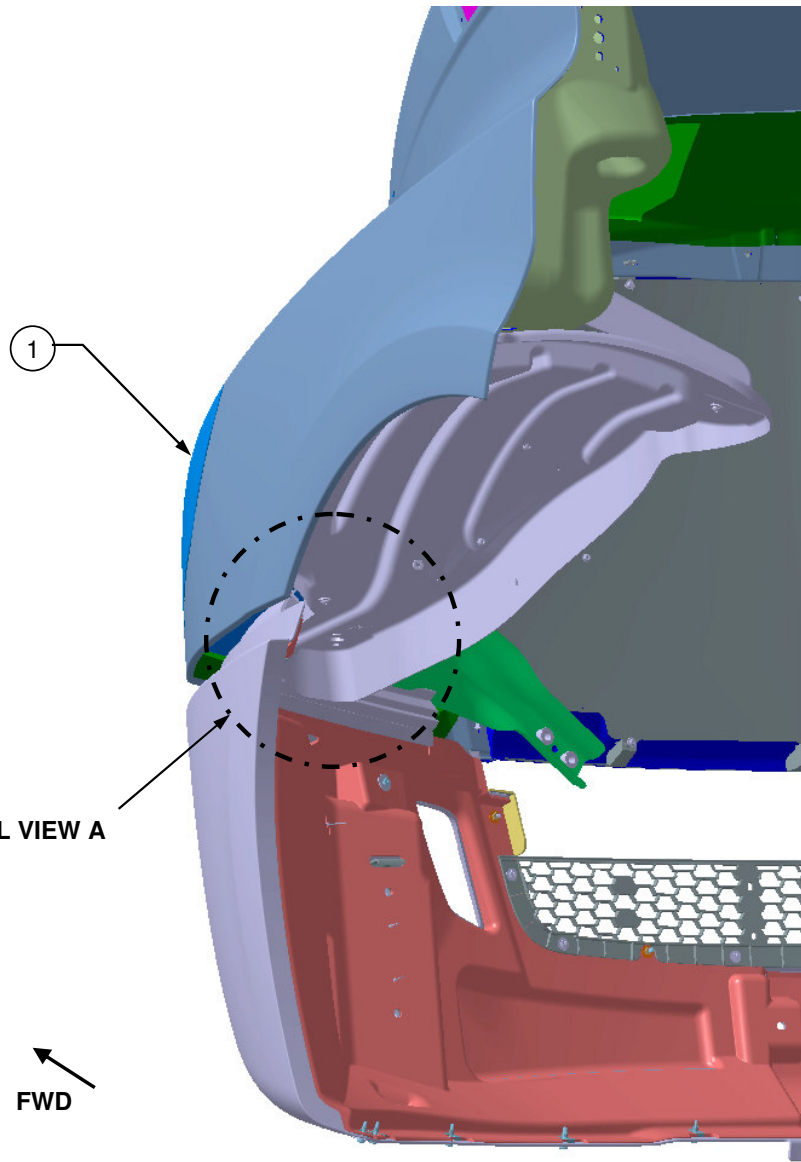
D66-01851-000	DAIMLER		Daimler Trucks North America		
	THE INFORMATION CONTAINED HEREIN IS PROPRIETARY DATA, AND IS NOT FOR DISSEMINATION OR DISCLOSURE, IN WHOLE OR IN PART, FOR ANY PURPOSE OTHER THAN THAT FOR WHICH IT IS SUBMITTED, EXCEPT AS AUTHORIZED IN WRITING BY DAIMLER TRUCKS NORTH AMERICA LLC (DTNA)				
	MATERIAL APPROVAL	DATE	UNLESS OTHERWISE NOTED, DIMENSIONS AND TOLERANCES ARE DEFINED ACCORDING TO ASME Y14.5M-1994 WITH EXCEPTION PER DTNA 09ENG-W037		
	DRAWN BY	DATE			
	CHECKED BY	DATE			
	RESPONSIBLE ENGINEER	DATE			
	APPROVED BY	DATE	THIRD ANGLE PROJECTION		UNITS OF MEASURE MM
	DESCRIPTION	INSTALL-LAMP-HEADLAMP,LED			
	SUPPLEMENTAL DESCRIPTION	312			
	ITEM/DRAWING NUMBER	D66-01851	REVISION LETTER	B	PAGE





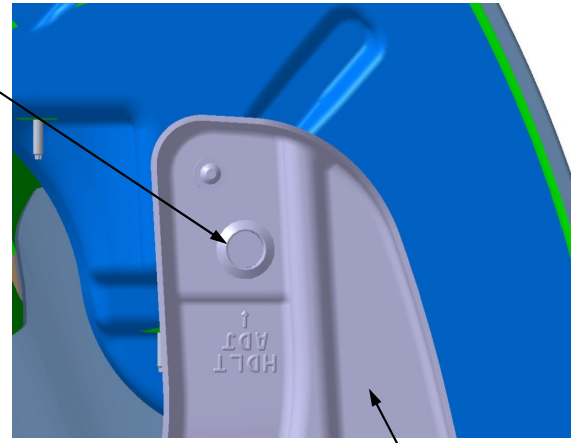
HOOD AND BUMPER REMOVED FOR CLARITY

LH SHOWN
RH OPPOSITE



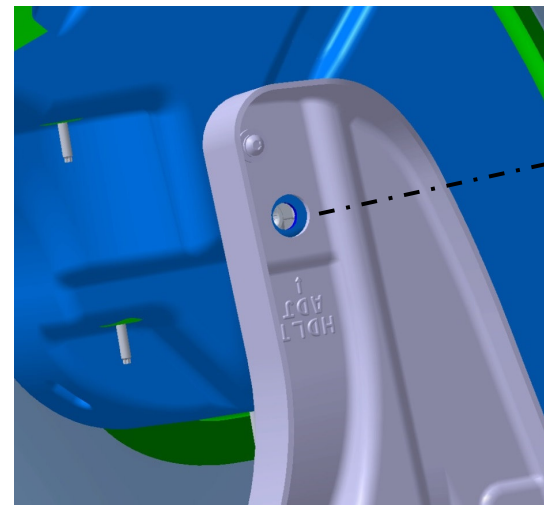
DETAIL VIEW A

4



DETAIL A

REF MOD 586



VERTICAL
HEADLIGHT
ADJUSTMENT
ACCESS HOLE

DETAIL A
PLUG HOLE REMOVED