
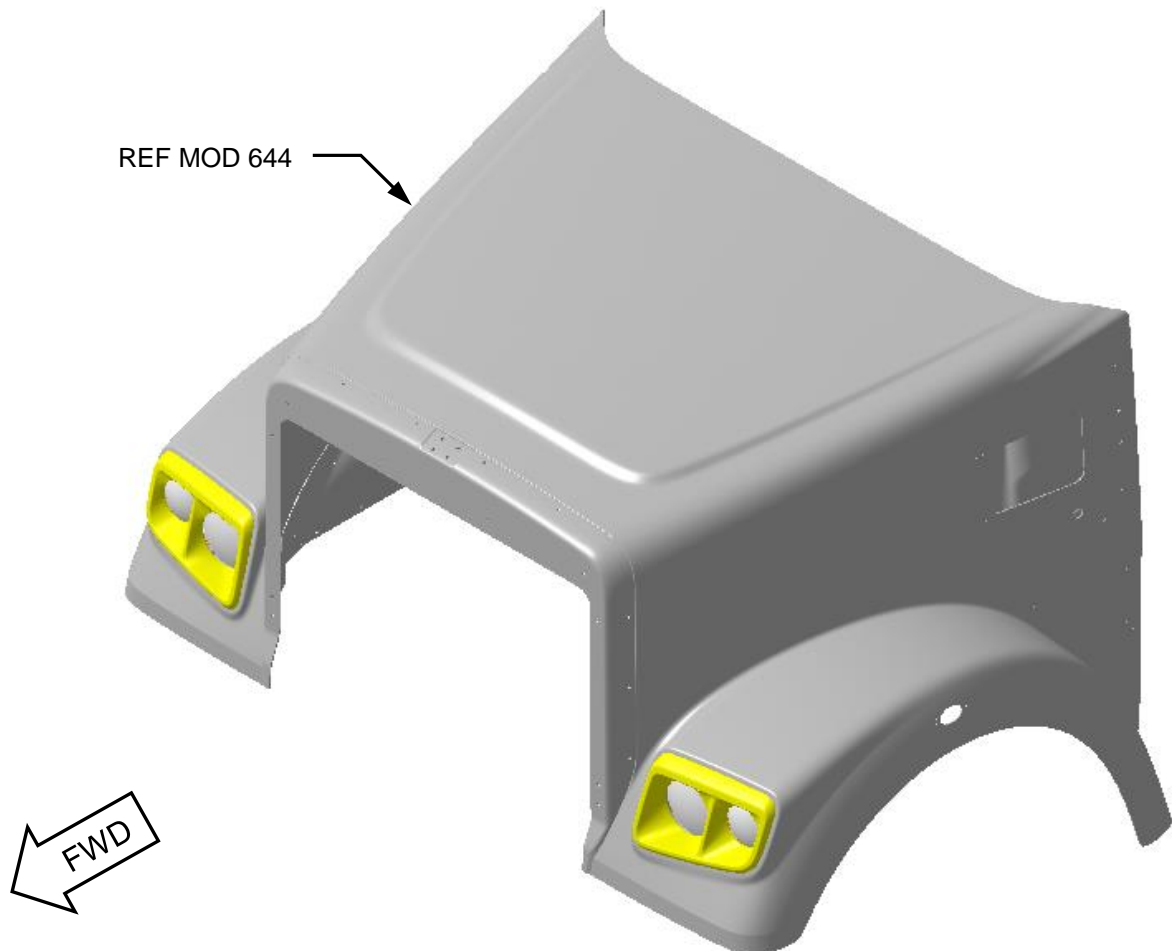


RELEASE NUMBER	REV LTR	REVISION DESCRIPTION	BY	DATE	APPD
P50898-02	-	INITIAL RELEASE	BB2	05/28/15	DJJ
P14CAB-A2	A	ADDED ITEM CALLOUT 7	A2J	11/26/18	DRG

1. THIS DIAGRAM SHOWS LH ONLY. RH OPPOSITE.

 10±1 NM (7.5LBS-FT) TORQUE

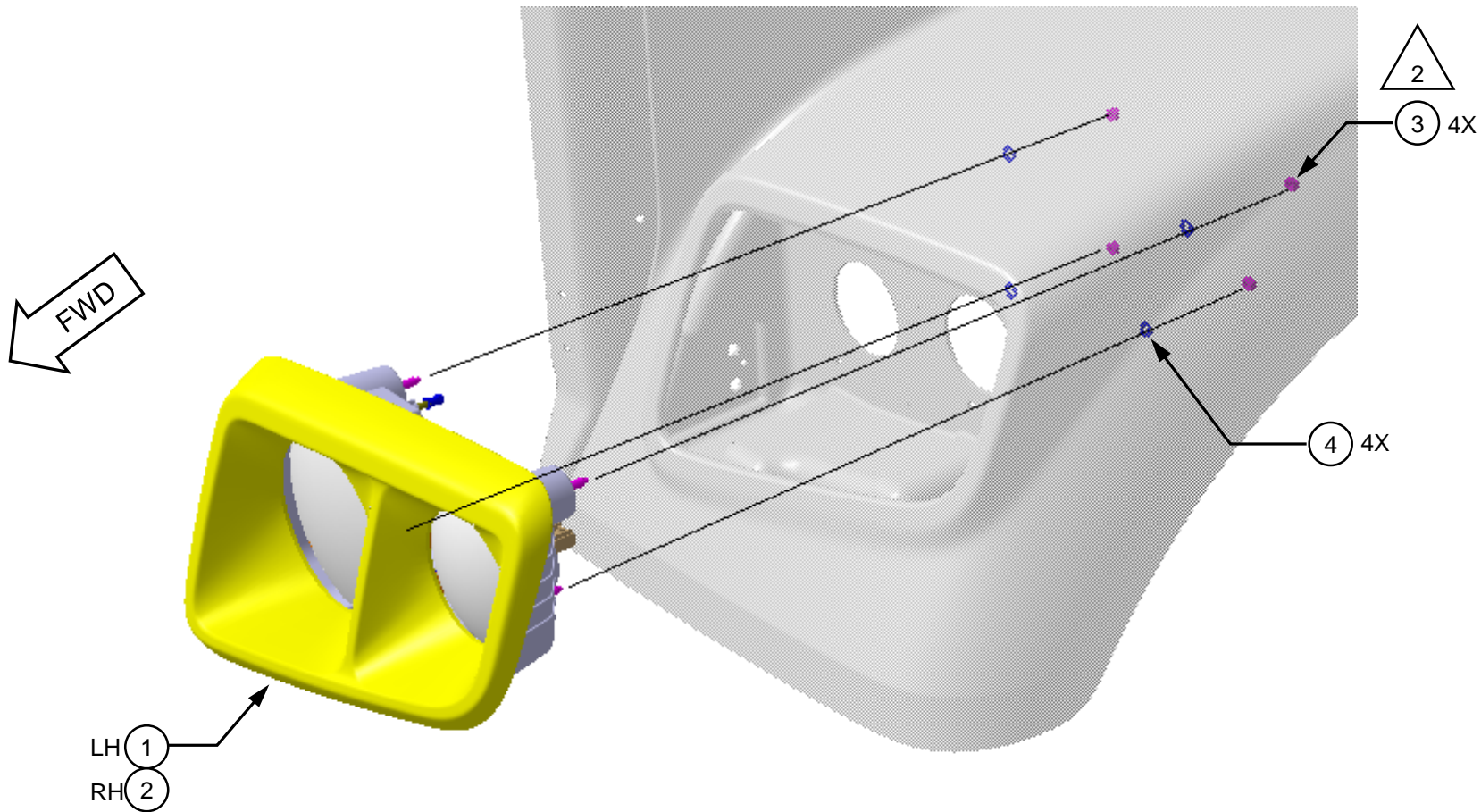
ITEM NUMBER D66-04344-000	DESCRIPTION INSTL-HEADLAMP,24U	<b>DAIMLER</b>		Daimler Trucks North America	
		THE INFORMATION CONTAINED HEREIN IS PROPRIETARY DATA, AND IS NOT FOR DISSEMINATION OR DISCLOSURE, IN WHOLE OR IN PART, FOR ANY PURPOSE OTHER THAN THAT FOR WHICH IT IS SUBMITTED, EXCEPT AS AUTHORIZED IN WRITING BY DAIMLER TRUCKS NORTH AMERICA LLC (DTNA)			
		MATERIAL APPROVAL	DATE	UNLESS OTHERWISE NOTED, DIMENSIONS AND TOLERANCES ARE DEFINED ACCORDING TO ASME Y14.5M- 1994, WITH EXCEPTION PER DTNA 09ENG-WI037	
		N/A	N/A		
		DRAWN BY	DATE		
		B.BEHAN	05/28/15		
		CHECKED BY	DATE		
		T.GRIFFIN	05/28/15		
		RESPONSIBLE ENGINEER	DATE	THIRD ANGLE PROJECTION 	UNITS OF MEASURE MM
		B.BEHAN	05/28/15		
APPROVED BY	DATE				
D.JOHNSTON	05/28/15	DESCRIPTION <b>INSTL-HEADLAMP,24U</b>			
SUPPLEMENTAL DESCRIPTION 312A1, 24U					
ITEM/DRAWING NUMBER <b>D66-04344</b>		REVISION LETTER <b>A</b>	PAGE 1 of 4		



REF MOD 644

FWD

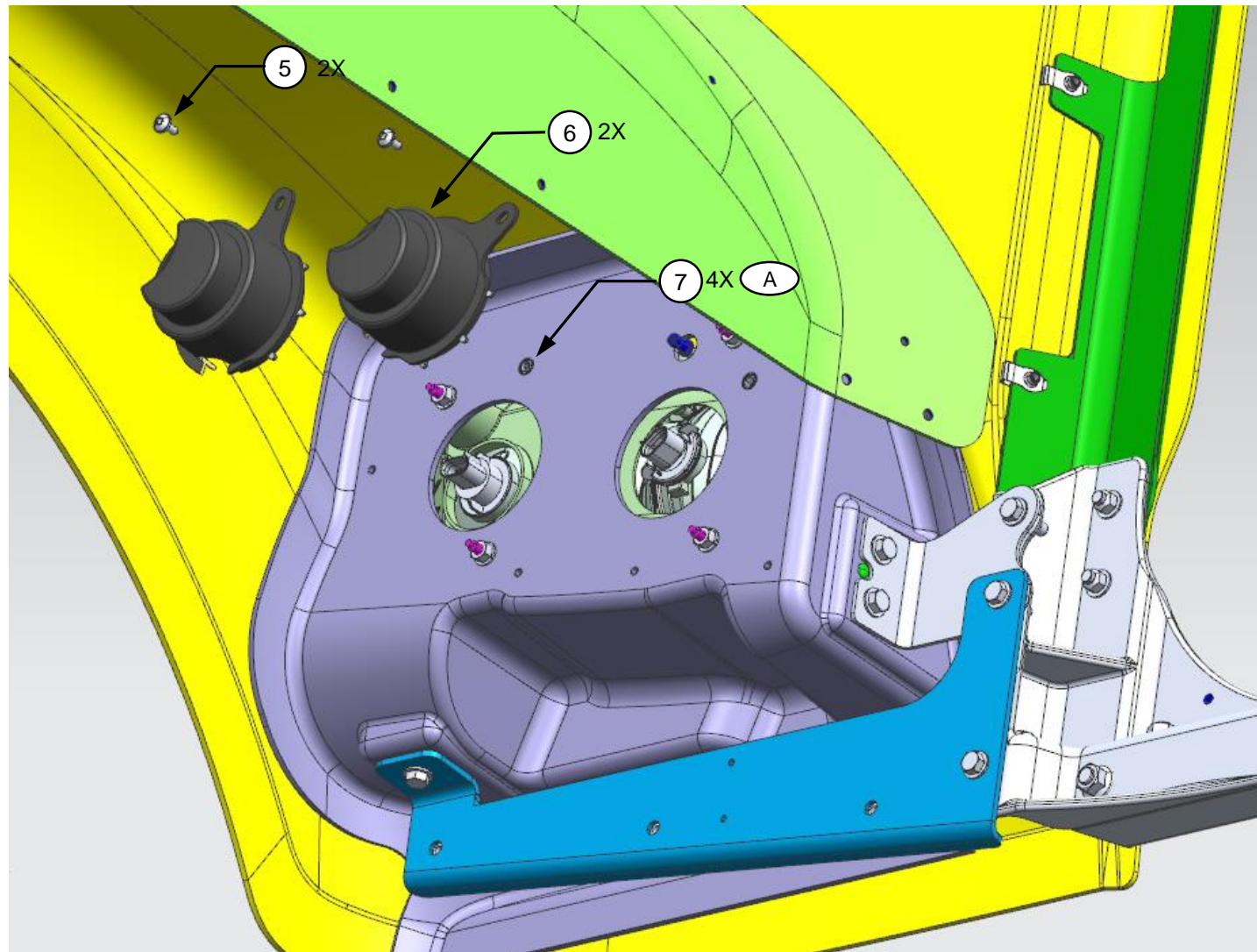
ASSEMBLED VIEW



HEADLAMP INSTALLATION

LH SHOWN

RH OPPOSITE



BULB COVER INSTALLATION

LH SHOWN

RH OPPOSITE



NOTE: ITEMS 8, 9, 10, 11, AND 12 IN 312-C03322 NOT SHOWN