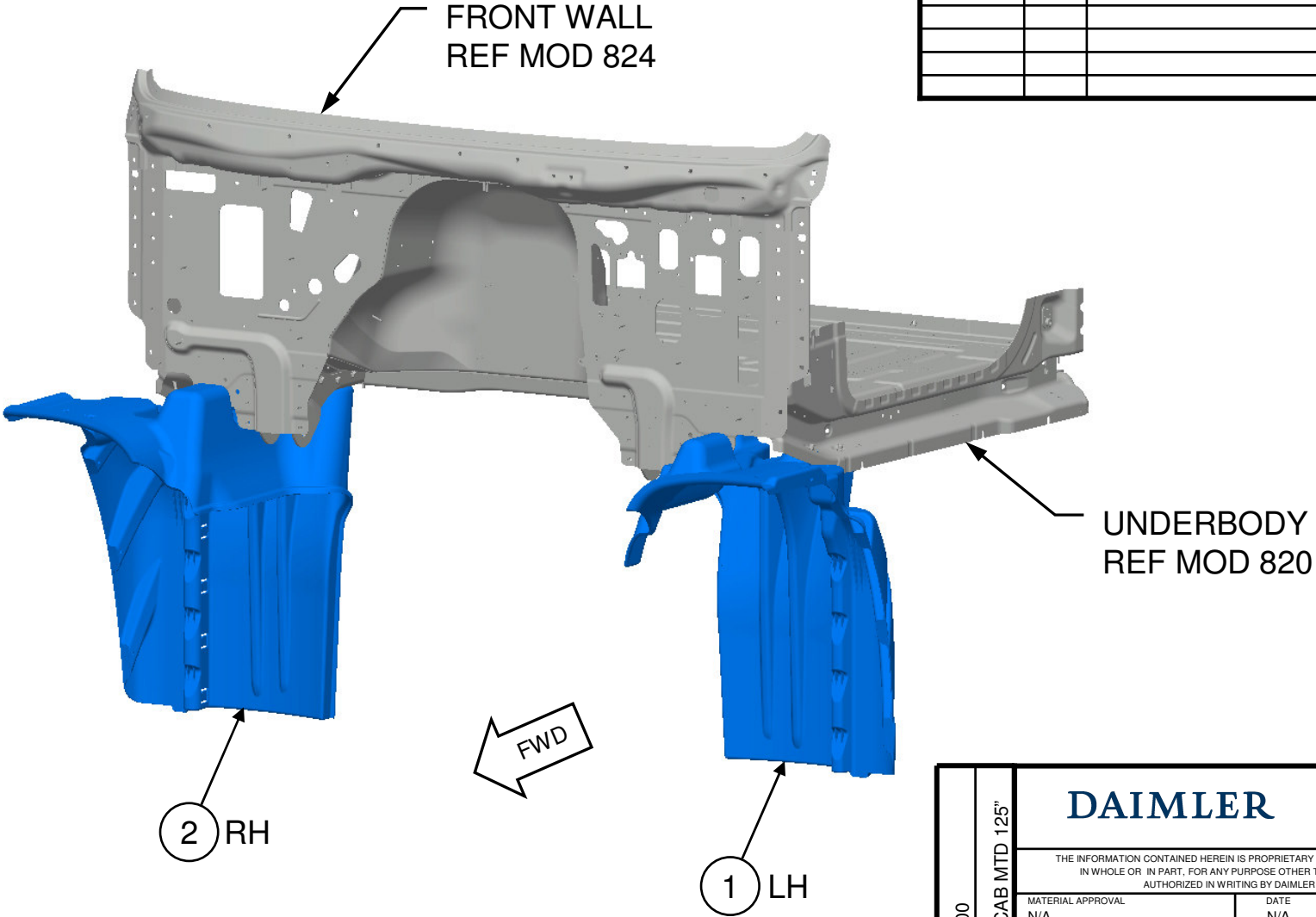
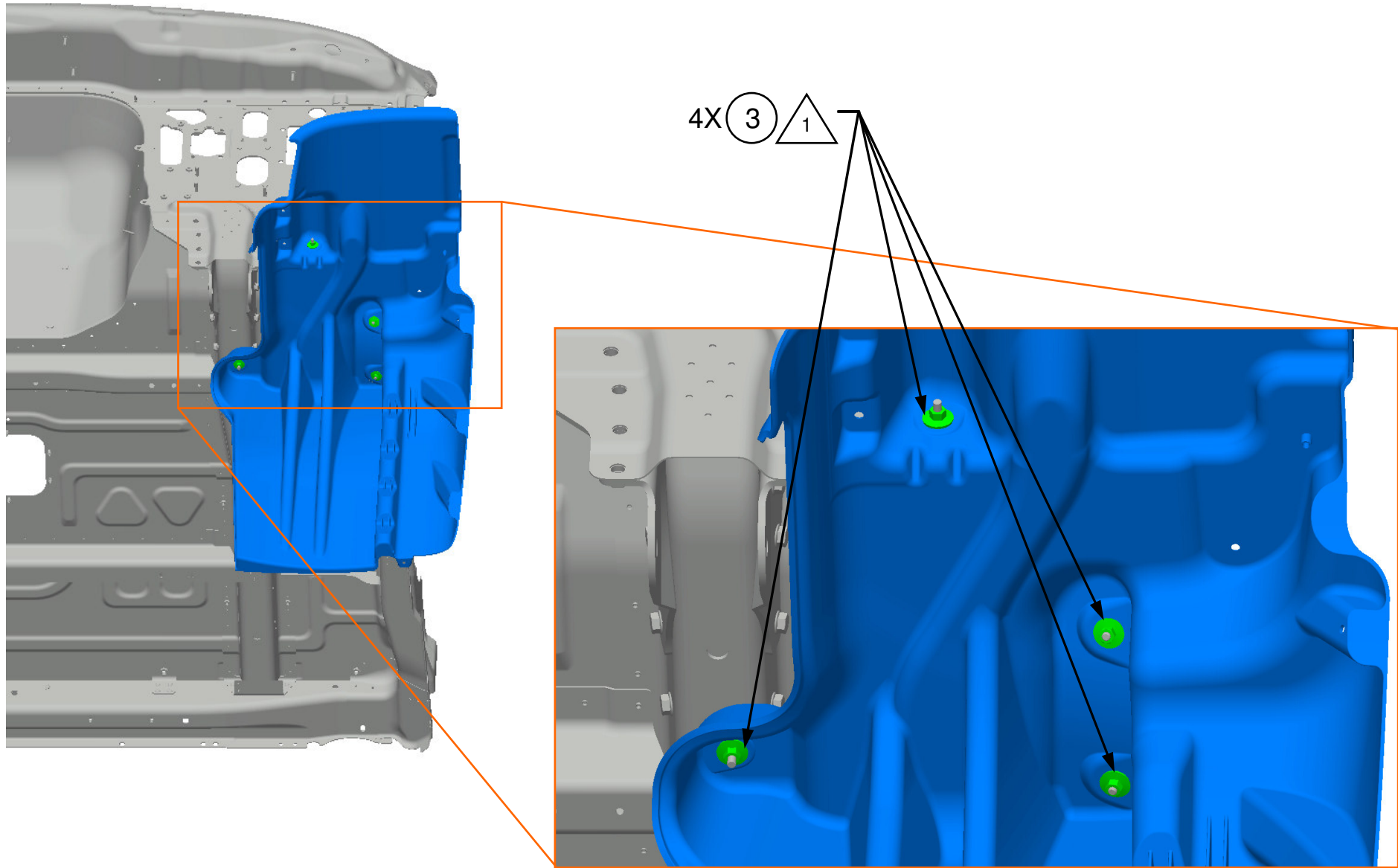


RELEASE NUMBER	REV LTR	REVISION DESCRIPTION	BY	DATE	APPD
P42541-04	-	INITIAL RELEASE	RDL	11/29/12	JMW

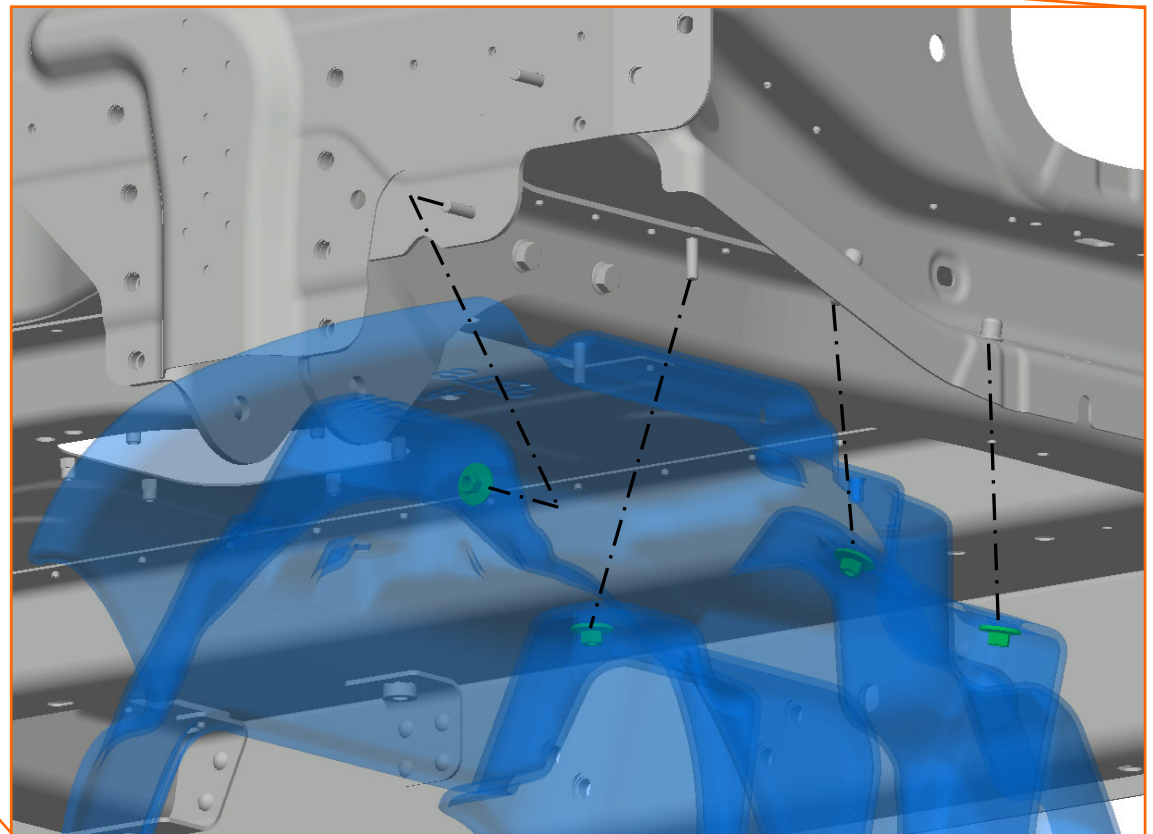
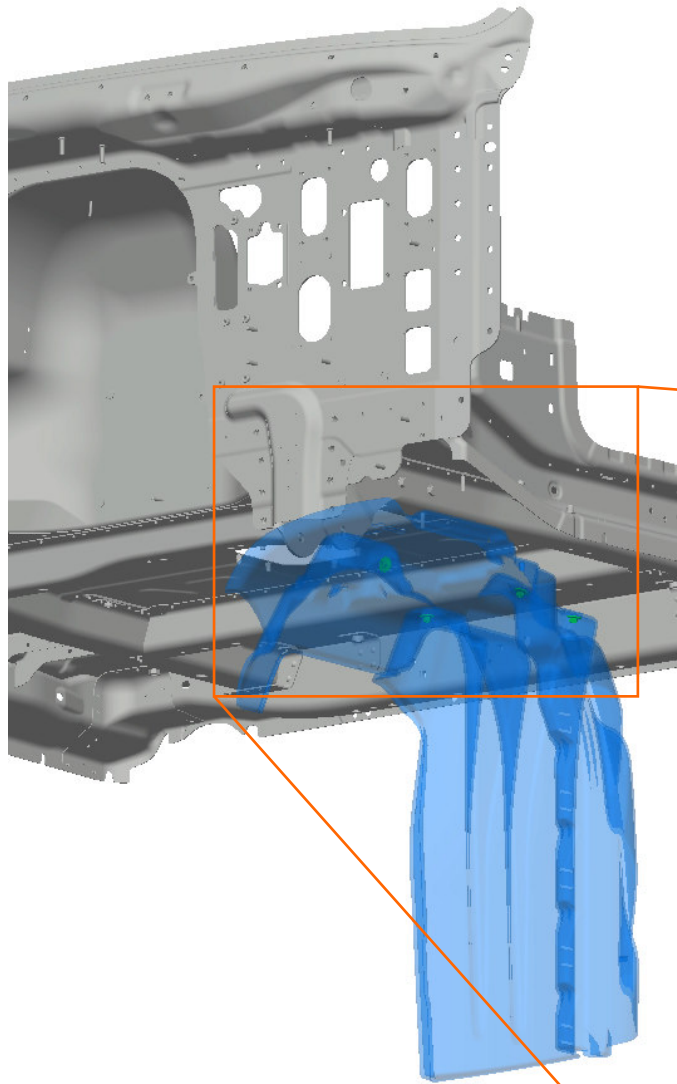


1 TORQUE ITEM 3 TO 21NM (15 LB-FT).

ITEM NUMBER D22-71236-000	<b>DAIMLER</b>		Daimler Trucks North America	
	THE INFORMATION CONTAINED HEREIN IS PROPRIETARY DATA, AND IS NOT FOR DISSEMINATION OR DISCLOSURE, IN WHOLE OR IN PART, FOR ANY PURPOSE OTHER THAN THAT FOR WHICH IT IS SUBMITTED, EXCEPT AS AUTHORIZED IN WRITING BY DAIMLER TRUCKS NORTH AMERICA LLC (DTNA)			
	MATERIAL APPROVAL		DATE	
	N/A		N/A	
	DRAWN BY		DATE	
	R. LEMIRE		11/29/12	
	CHECKED BY		DATE	
	J.WALSH		11/29/12	
	RESPONSIBLE ENGINEER		DATE	
	P.SINGH		11/29/12	
APPROVED BY		DATE		
J.WALSH		11/29/12		
UNLESS OTHERWISE NOTED, DIMENSIONS AND TOLERANCES ARE DEFINED ACCORDING TO ASME Y14.5M-1994, WITH EXCEPTION PER DTNA 09ENG-WI037				
		THIRD ANGLE PROJECTION		UNITS OF MEASURE MM
DESCRIPTION <b>INSTL-SPLASH SHIELD,CAB MTD 125"</b>				
SUPPLEMENTAL DESCRIPTION 586A1 P3				
ITEM/DRAWING NUMBER <b>D22-71236</b>		REVISION LETTER -		PAGE 1 of 3



LH SHOWN  
RH OPPOSITE  
 SEE PAGE 3 FOR EXPLODED VIEW



LH SHOWN  
RH OPPOSITE  
EXPLODED VIEW