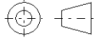
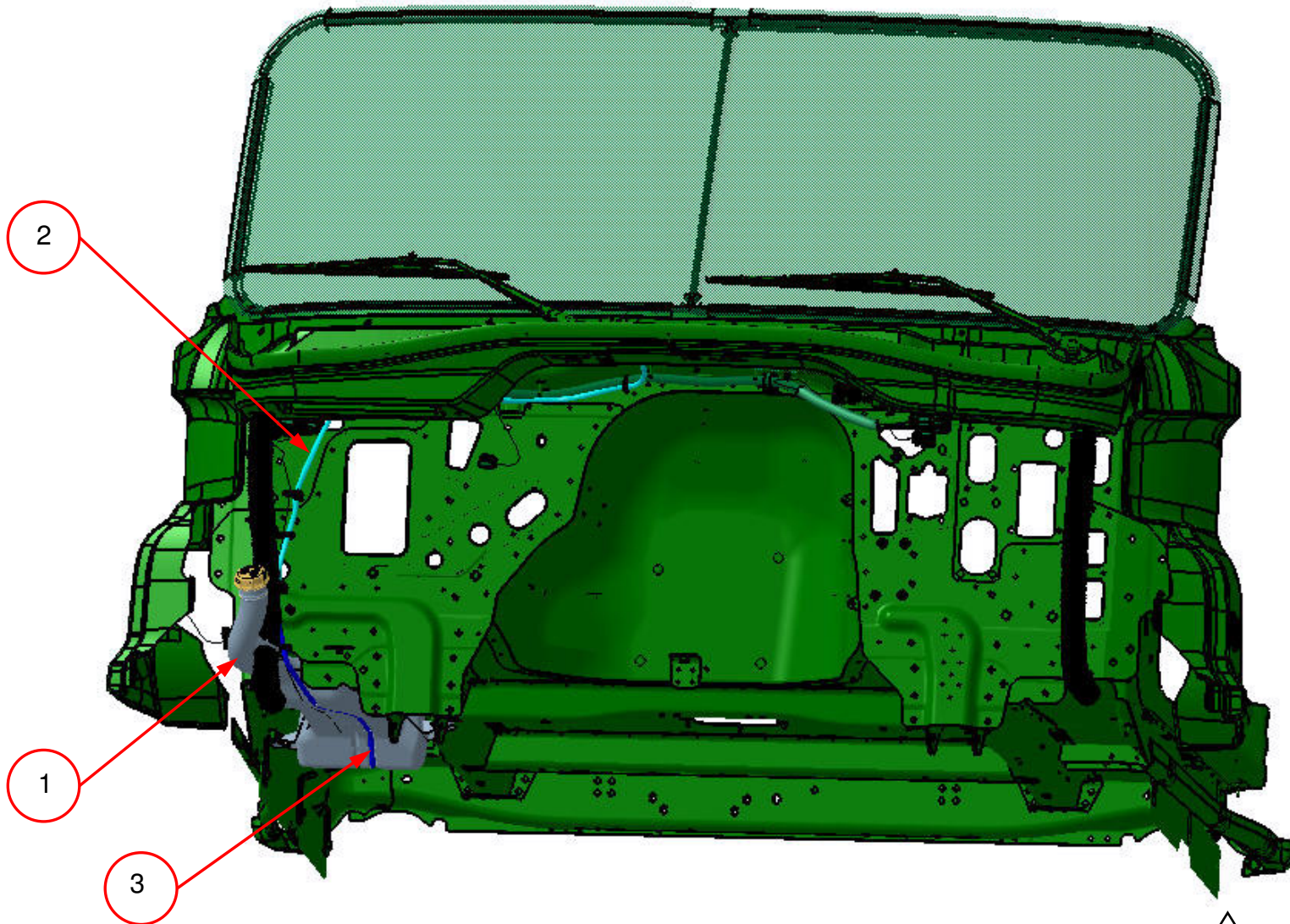


RELEASE NUMBER	REV LTR	REVISION DESCRIPTION	BY	DATE	APPD
P42065-06	-	INITIAL RELEASE	WSA	02/16/12	JJM

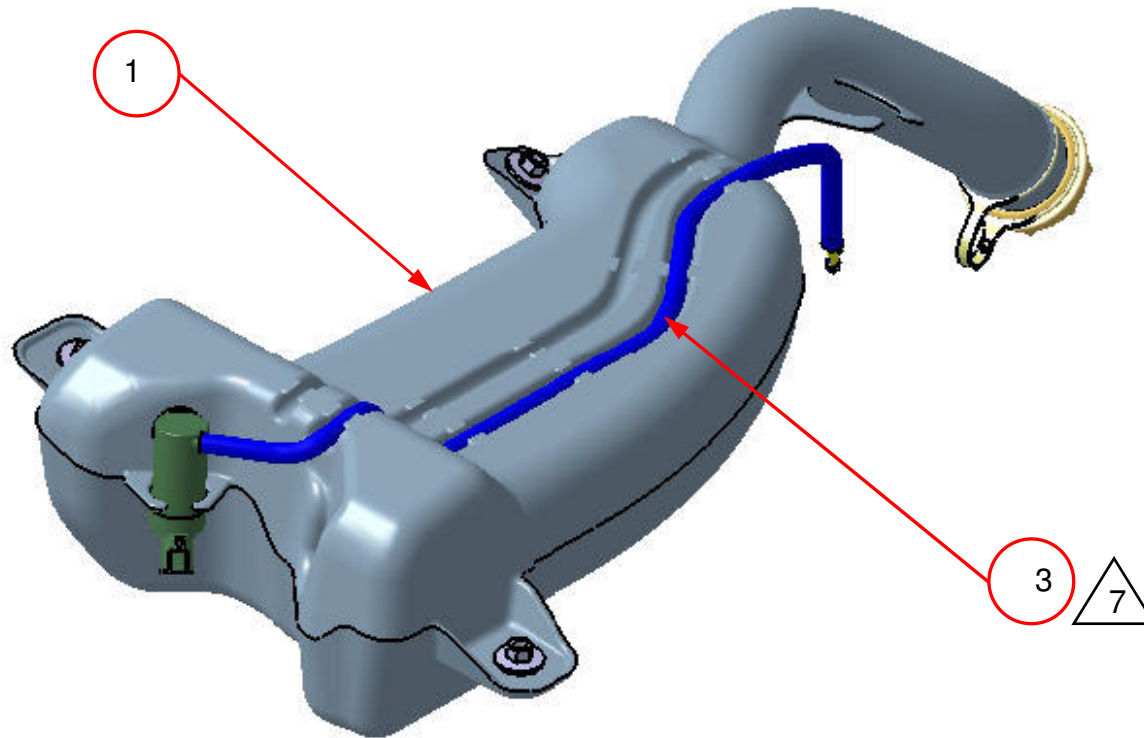
1. ROUTE TUBING ( ITEM 2 ) FROM TEE TO THE RAIN TRAY FITTING ALONG FIXED TUBE OF THE WIPER CASSETTE AND BEHIND THE MOTOR USING TIE STRAPS ( ITEM 5 ). ( SHEET 4 )
2. BARB ON HOSE ASSEMBLY ( ITEM 2 ) SHOULD BE POINTED TOWARD WIPER ARM PIVOT. PUSH AND PULL TO MAKE SURE IT IS SECURELY INSTALLED. ( BOTH SIDES ). ( SHEET 4 )
3. ROUTE TUBING ( ITEM 2 ) FROM TEE DOWN TO RESERVOIR ALONG FRONT WALL ELECTRICAL HARNESS (MOD.321 ) USING TIE STRAPS ( ITEM 5 ). ( SHEET 5 )
4. TIE STRAP TO BE LESS THAN 70+/-mm FROM WIPER ARM PIVOT. ( SHEET 4 )
5. INSTALL WASHER RESERVOIR TO CABIN UNDERBODY, USING CONICAL WASHER NUTS ( ITEM 4 ). ( SHEET 6 )
6. TORQUE TO 11+/-2 Nm ( 8.1+/-1.5 FT LBS )
7. INSTALL HOSE ( ITEM 3 ) INTO RESERVOIR ( ITEM 1 ) BY PRESSING INTO RETAINING FEATURES AND CONNECT TO PUMP. OPERATION SHOULD BE DONE OFF-LINE. ( SHEET 3 )
8. CONNECT HOSES ( ITEMS 2 AND 3 ) . ( SHEET 7 )
9. SOME COMPONENTS REMOVED FOR CLARITY OF PICTURE.

ITEM NUMBER D22-71154-000	DESCRIPTION INSTL-WINDSHIELD WASHER SYSTEM	<b>DAIMLER</b>		Daimler Trucks North America			
		THE INFORMATION CONTAINED HEREIN IS PROPRIETARY DATA, AND IS NOT FOR DISSEMINATION OR DISCLOSURE, IN WHOLE OR IN PART, FOR ANY PURPOSE OTHER THAN THAT FOR WHICH IT IS SUBMITTED, EXCEPT AS AUTHORIZED IN WRITING BY DAIMLER TRUCKS NORTH AMERICA LLC (DTNA)					
		MATERIAL APPROVAL		DATE		UNLESS OTHERWISE NOTED, DIMENSIONS AND TOLERANCES ARE DEFINED ACCORDING TO ASME Y14.5M- 1994; WITH EXCEPTION PER DTNA 09ENG-WI037	
		N/A		N/A			
		DRAWN BY W.ADAMIEC		DATE 02/16/12			
		CHECKED BY J.MAO		DATE 02/17/12			
		RESPONSIBLE ENGINEER W.ADAMIEC		DATE 02/16/12		THIRD ANGLE PROJECTION 	
		APPROVED BY J.MAO		DATE 02/17/12			
		DESCRIPTION <b>INSTL-WINDSHIELD WASHER SYSTEM</b>					
		SUPPLEMENTAL DESCRIPTION CASCADIA					
ITEM/DRAWING NUMBER <b>D22-71154</b>				REVISION LETTER -			
				PAGE 1 of 7			



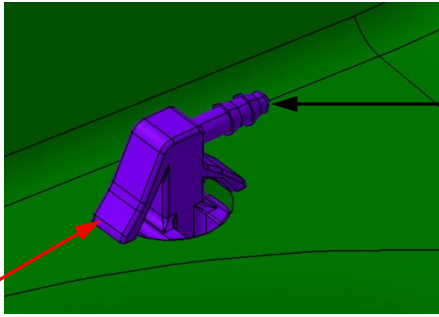
GENERAL VIEW OF WINDSHIELD WASHER SYSTEM ROUTING AND INSTALLATION

9



HOSE INSTALLATION INTO RESERVOIR





2

VIEW OF HOSE  
ATTACHED TO RAINTRAY

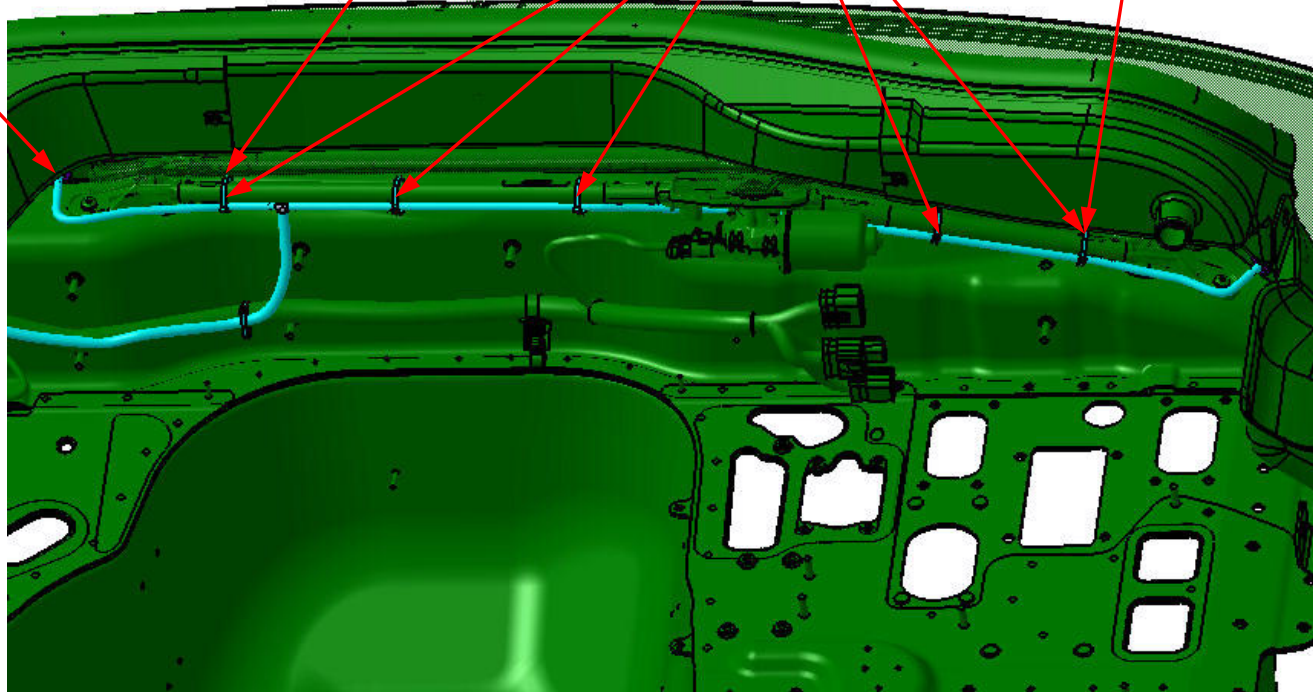
2

5

1

4

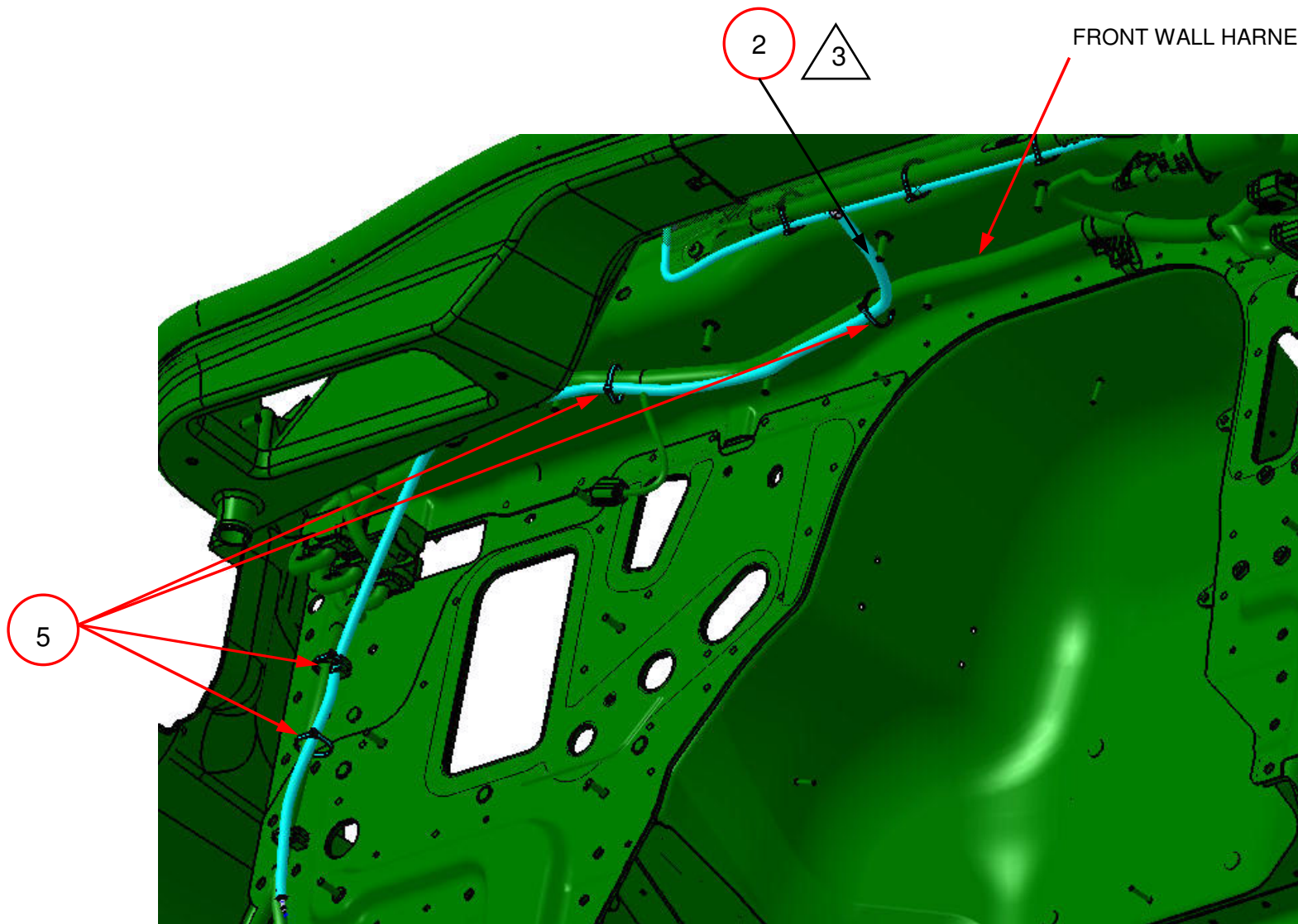
4



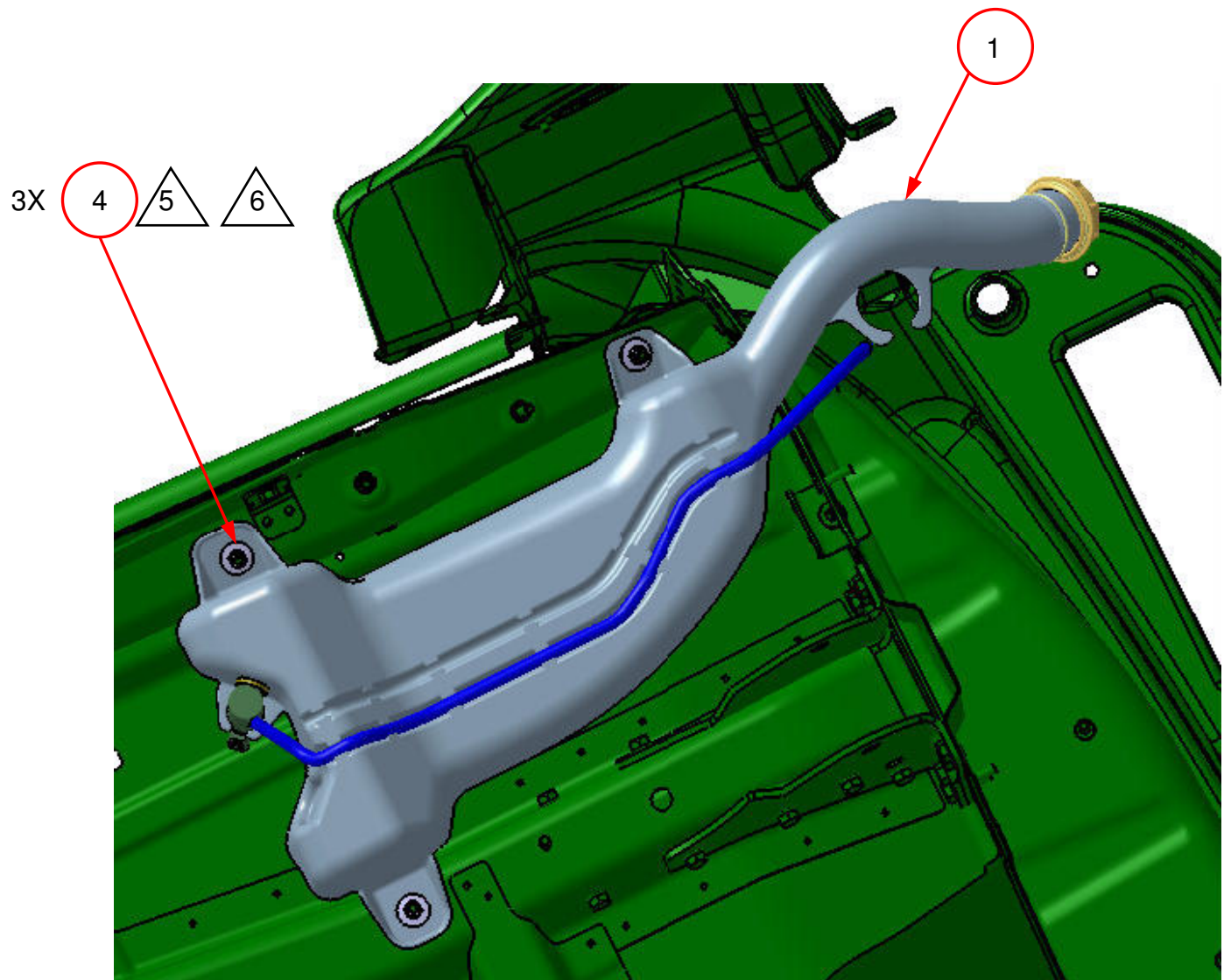
INSTALLATION OF HOSE ASSEMBLY TO WIPER SYSTEM ON CABIN

9

FRONT WALL HARNESS MOD. 321

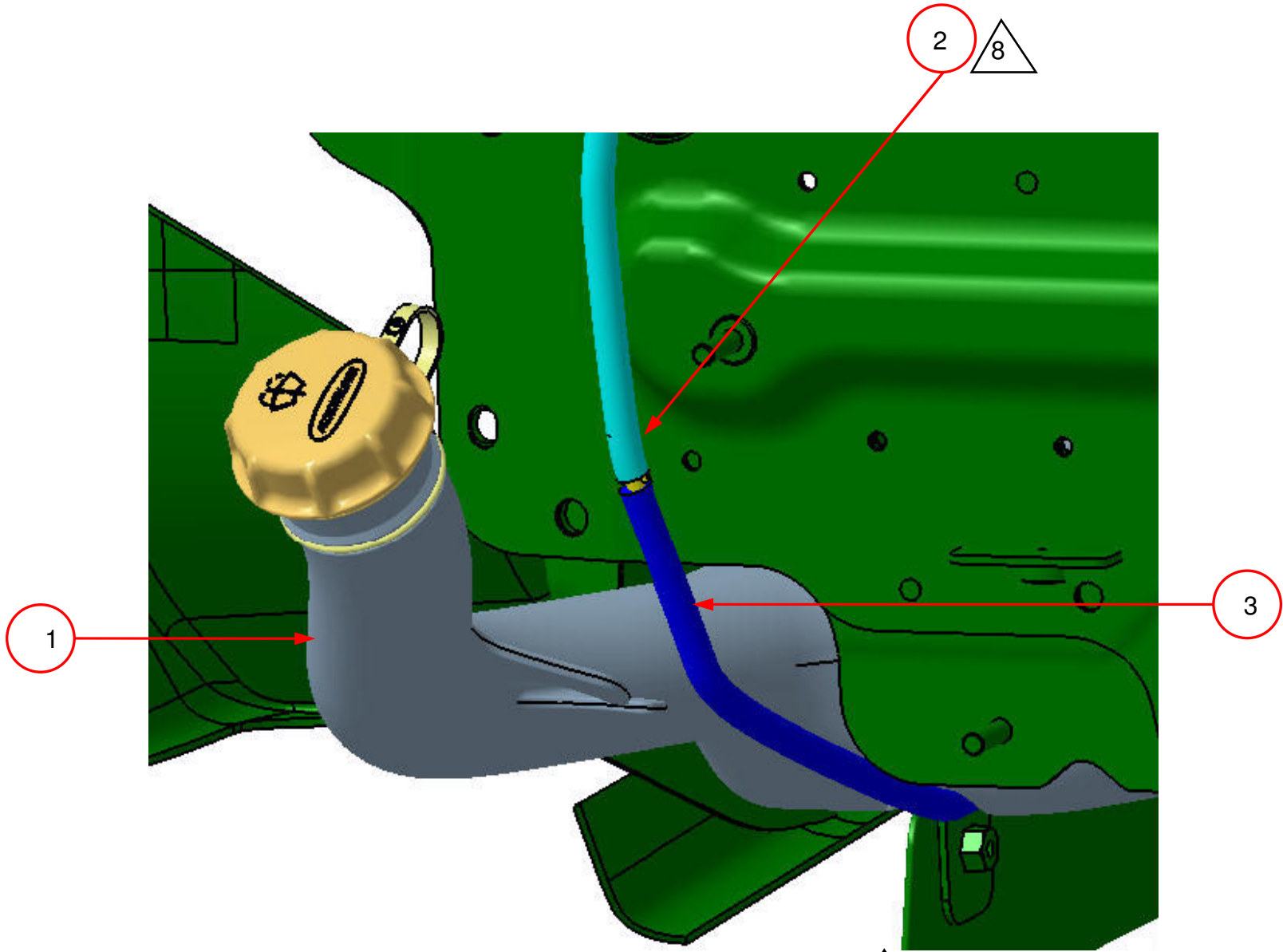


ROUTING OF HOSE ASSEMBLY ON FRONT WALL OF CABIN 9



RESERVOIR INSTALLATION TO CABIN UNDERBODY





CONNECTING HOSES ON FRONT WALL △ 9