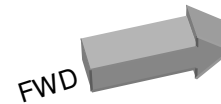
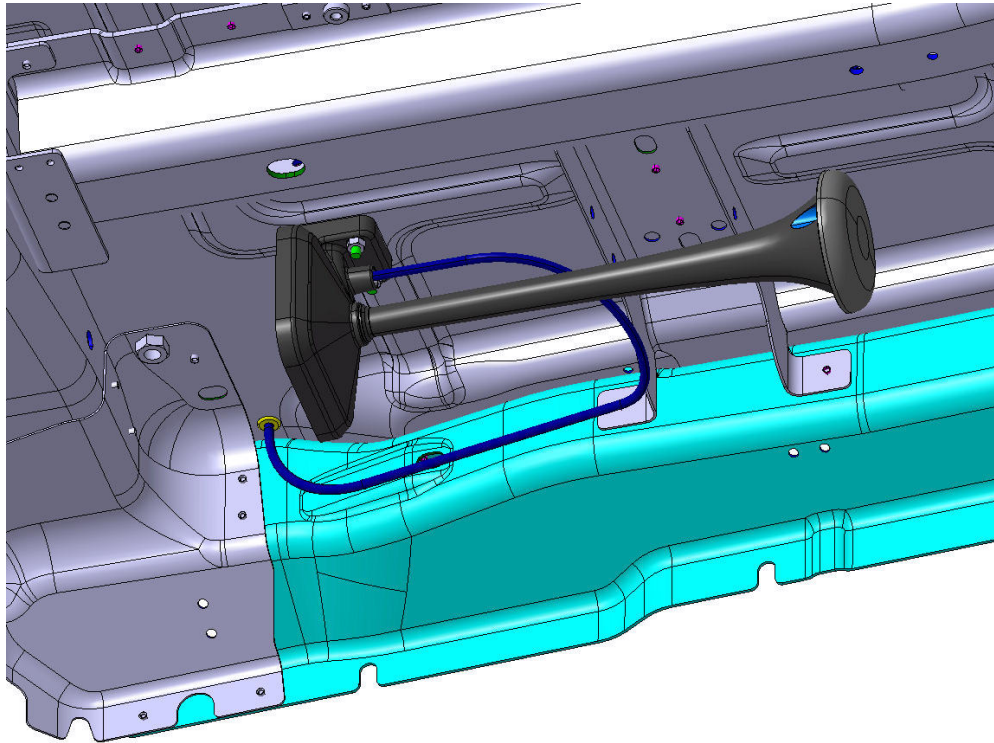
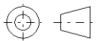
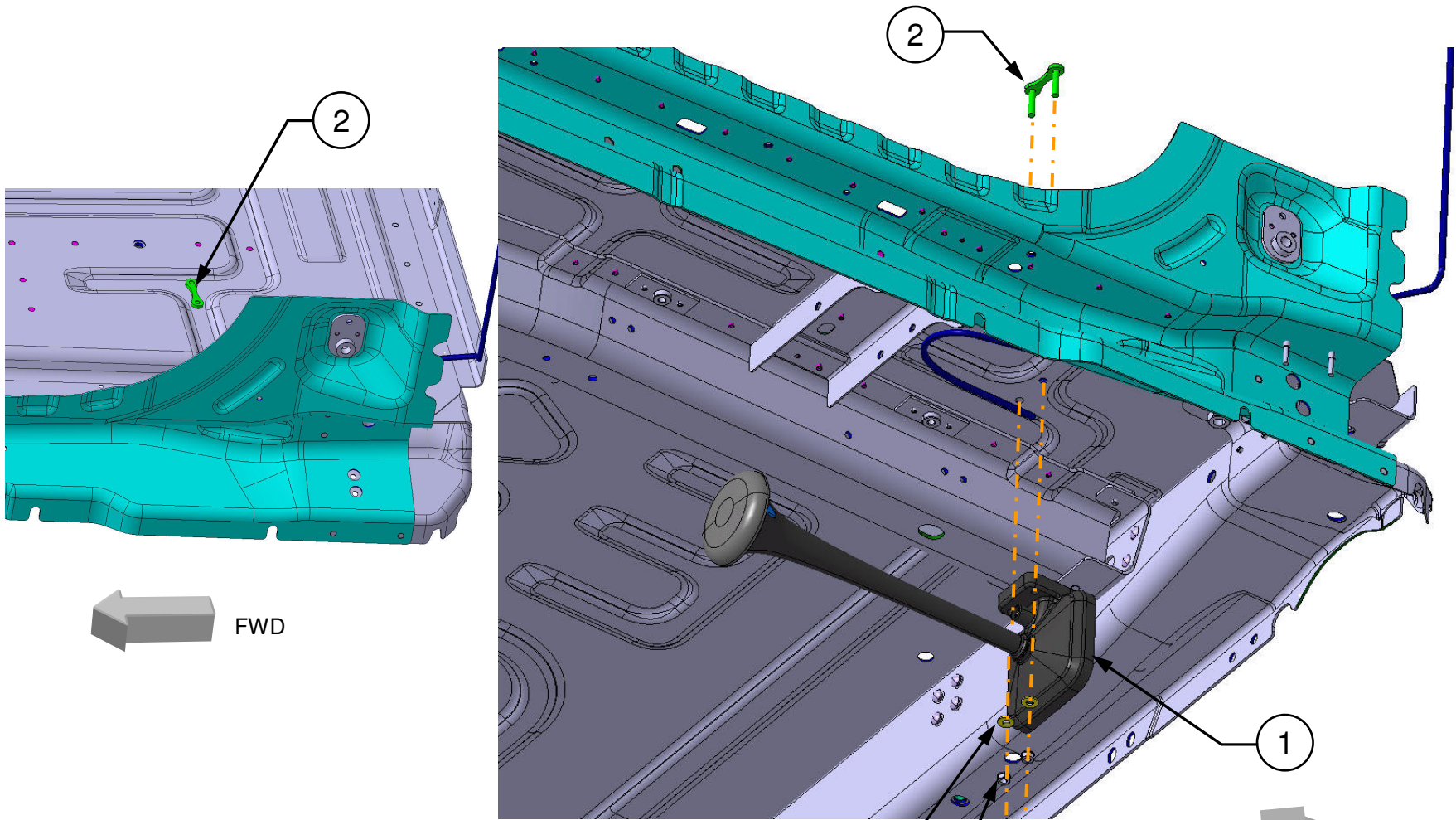


RELEASE NUMBER	REV LTR	REVISION DESCRIPTION	BY	DATE	APPD
P43892-02	-	INITIAL RELEASE	M1D	05/24/12	MST



1. TORQUE FASTENERS PER SPEC 49-00104 EXCEPT AS NOTED.

ITEM NUMBER D22-69116-001	DESCRIPTION DRLG-AIR HORN,P3,UNDER DECK,293F	ITEM NUMBER D22-69116-000	DESCRIPTION INSTL-AIR HORN,P3,UNDER DECK,293F	DAIMLER		Daimler Trucks North America	
				<small>THE INFORMATION CONTAINED HEREIN IS PROPRIETARY DATA, AND IS NOT FOR DISSEMINATION OR DISCLOSURE, IN WHOLE OR IN PART, FOR ANY PURPOSE OTHER THAN THAT FOR WHICH IT IS SUBMITTED, EXCEPT AS AUTHORIZED IN WRITING BY DAIMLER TRUCKS NORTH AMERICA LLC (DTNA)</small>			
MATERIAL APPROVAL N/A		DATE N/A		<small>UNLESS OTHERWISE NOTED, DIMENSIONS AND TOLERANCES ARE DEFINED ACCORDING TO ASME Y14.5M-1994, WITH EXCEPTION PER DTNA 09ENG-WI037</small>			
DRAWN BY J.REITZ		DATE 02/09/11					
CHECKED BY M.TURNAUER		DATE 02/09/11		<small>THIRD ANGLE PROJECTION</small> 			
RESPONSIBLE ENGINEER M.TURNAUER		DATE 02/09/11					
APPROVED BY D.JOHNSTON		DATE 02/09/11		<small>UNITS OF MEASURE MM</small>			
DESCRIPTION INSTL-AIR HORN,P3,UNDER DECK,293F		DATE 02/09/11					
SUPPLEMENTAL DESCRIPTION 727A1							
ITEM/DRAWING NUMBER D22-69116				REVISION LETTER -		PAGE 1 of 3	

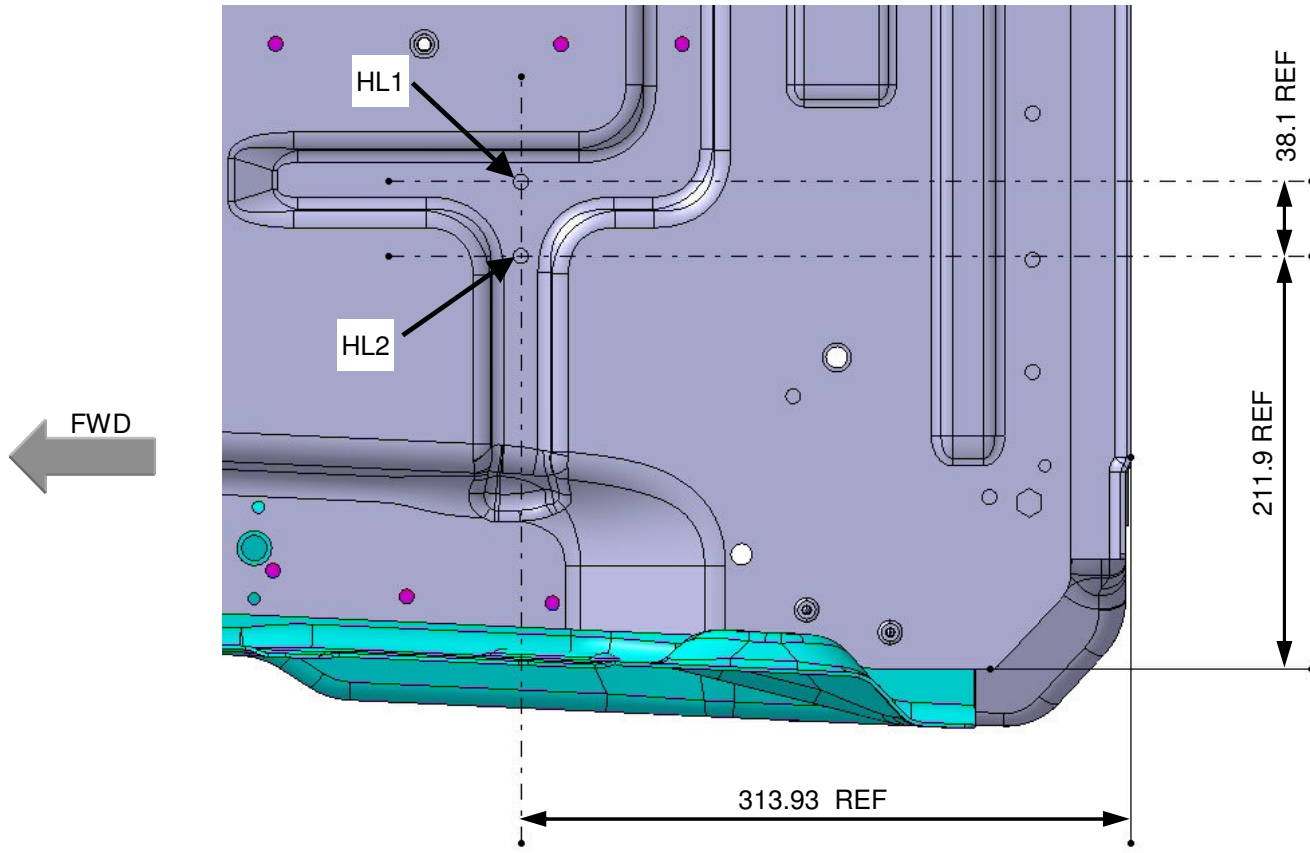


FWD

FWD

2X 3
2X 4

-000



PLAN VIEW

-001

HOLE DEFINITION				
HOLE	X	Y	Z	Ø±0.5
HL1	1175	-745	-4.41	7.0
HL2	1175	-783.1	-4.41	