

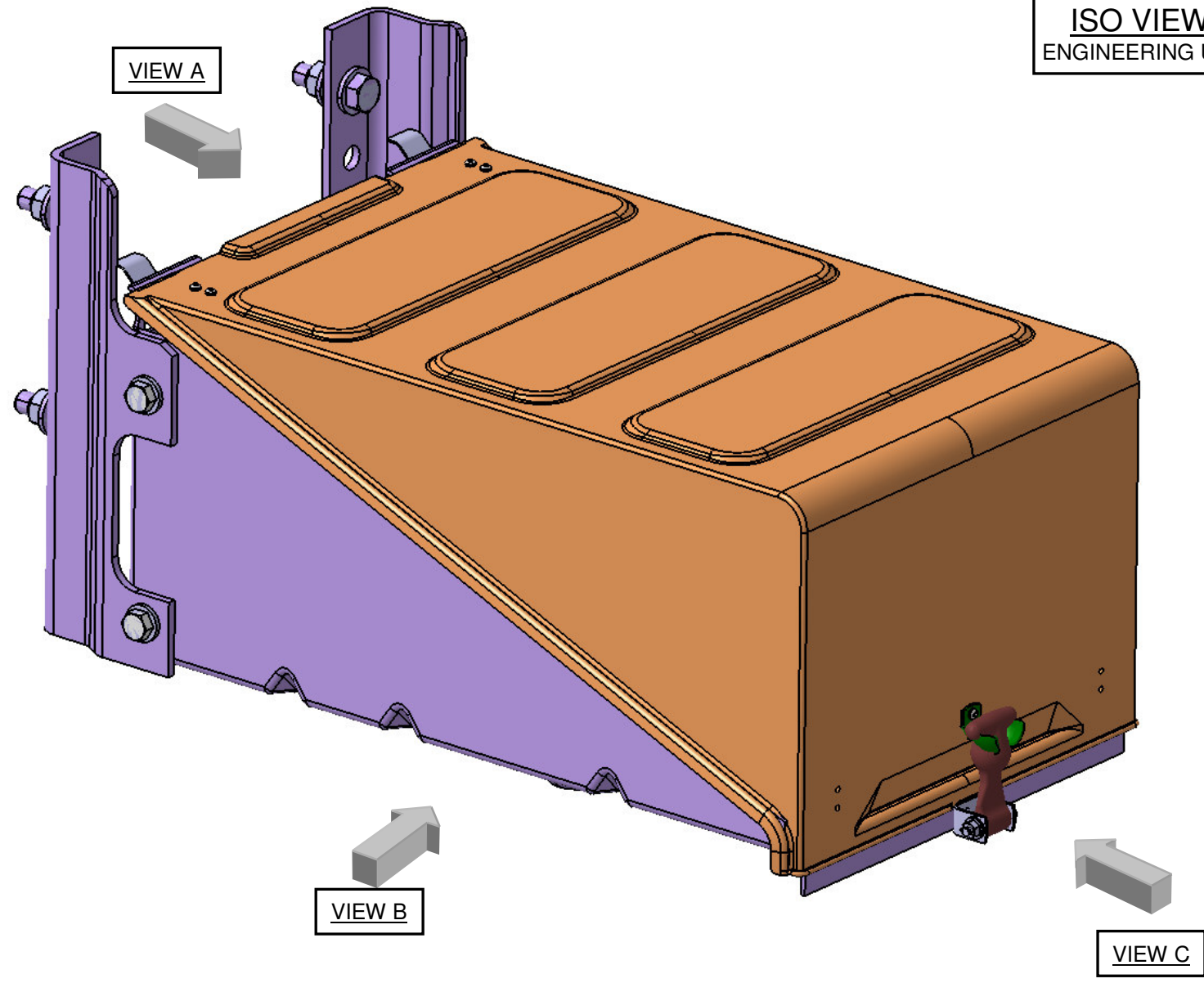
RELEASE NUMBER	REV LTR	REVISION DESCRIPTION	BY	DATE	APPD
P37496-04	-	INITIAL RELEASE	BR2	10/19/09	JBM
P46136-02	A	ADDED SHT 5, 2 BATT INSTL	C1S	06/11/13	SCB

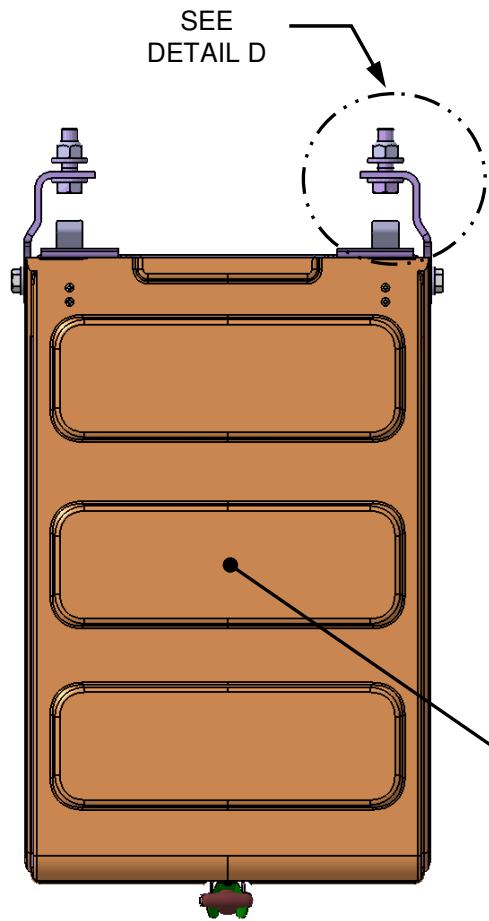


1. ITEM 1 MODULE 289 (DRAWING A06-76982-000) NOT SHOWN FOR CLARITY

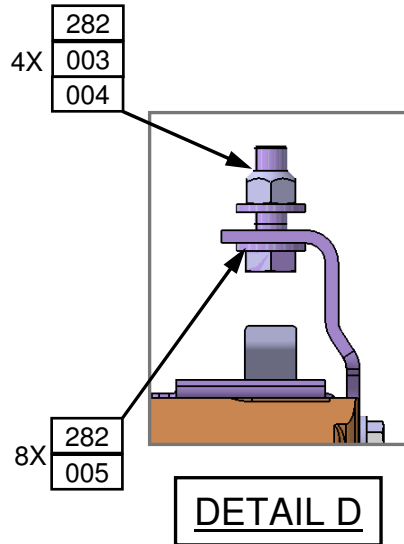
ITEM NUMBER D22-67845-000	DESCRIPTION INSTL-BBOX, SSR, STMPD	DAIMLER		Daimler Trucks North America	
		THE INFORMATION CONTAINED HEREIN IS PROPRIETARY DATA, AND IS NOT FOR DISSEMINATION OR DISCLOSURE, IN WHOLE OR IN PART, FOR ANY PURPOSE OTHER THAN THAT FOR WHICH IT IS SUBMITTED, EXCEPT AS AUTHORIZED IN WRITING BY DAIMLER TRUCKS NORTH AMERICA LLC (DTNA)			
		MATERIAL APPROVAL	DATE	UNLESS OTHERWISE NOTED, DIMENSIONS AND TOLERANCES ARE DEFINED ACCORDING TO ASME Y14.5M-1994, WITH EXCEPTION PER DTNA 09ENG-WI037	
		B.MOHR	10/19/09		
		DRAWN BY	DATE		
		B.ROBARDS	10/19/09		
		CHECKED BY	DATE		
		B.MOHR	10/19/09		
		RESPONSIBLE ENGINEER	DATE	THIRD ANGLE PROJECTION	UNITS OF MEASURE MM
		B.ROBARDS	10/19/09		
APPROVED BY	DATE				
B.MOHR	10/19/09				
DESCRIPTION		INSTL-BBOX, SSR, STMPD			
SUPPLEMENTAL DESCRIPTION					
ITEM/DRAWING NUMBER		D22-67845		REVISION LETTER	A
PAGE				PAGE	1 of 5

ISO VIEW FOR
ENGINEERING USE ONLY

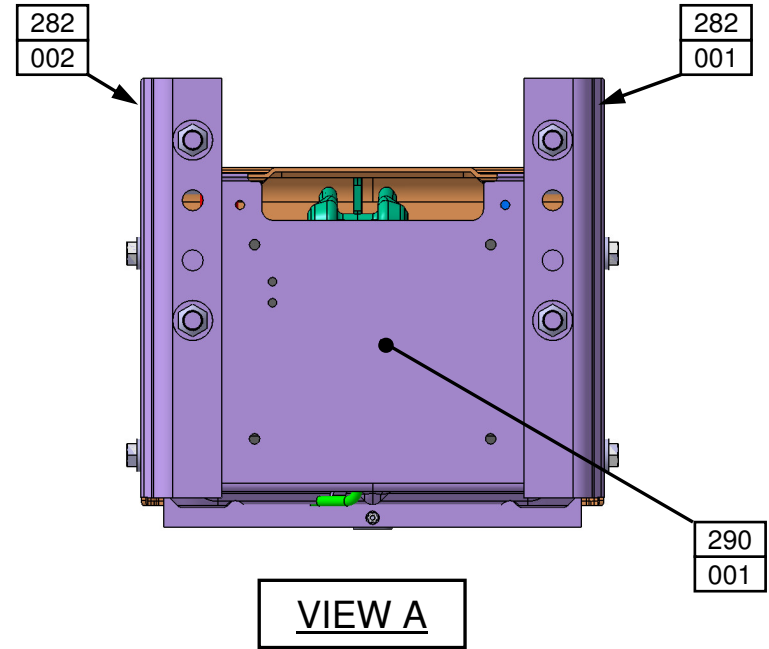




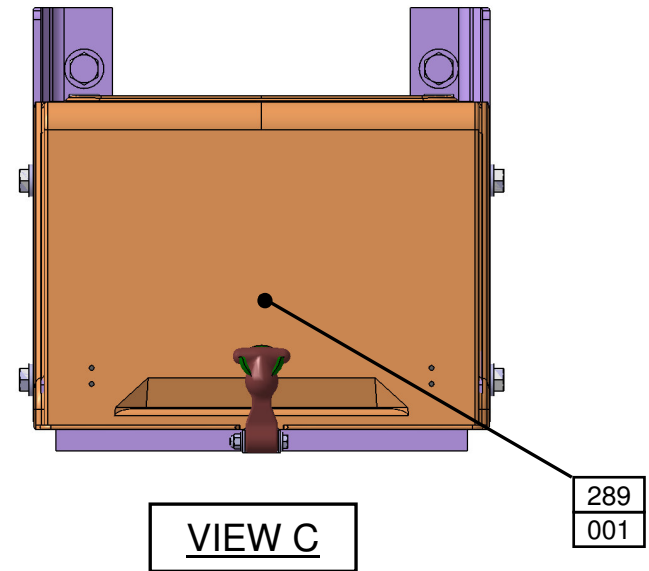
PLAN VIEW



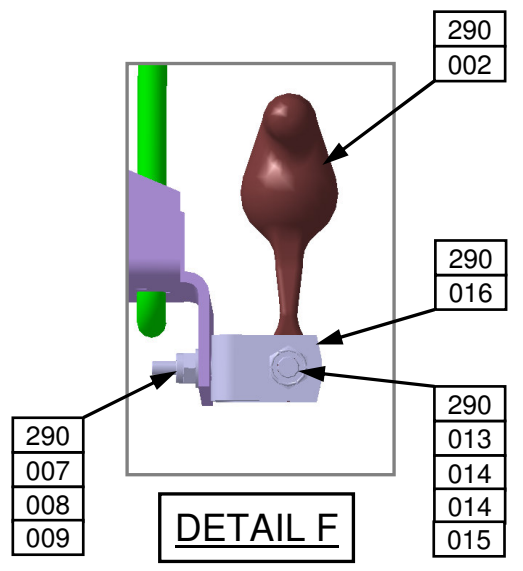
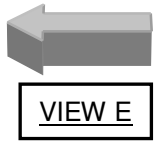
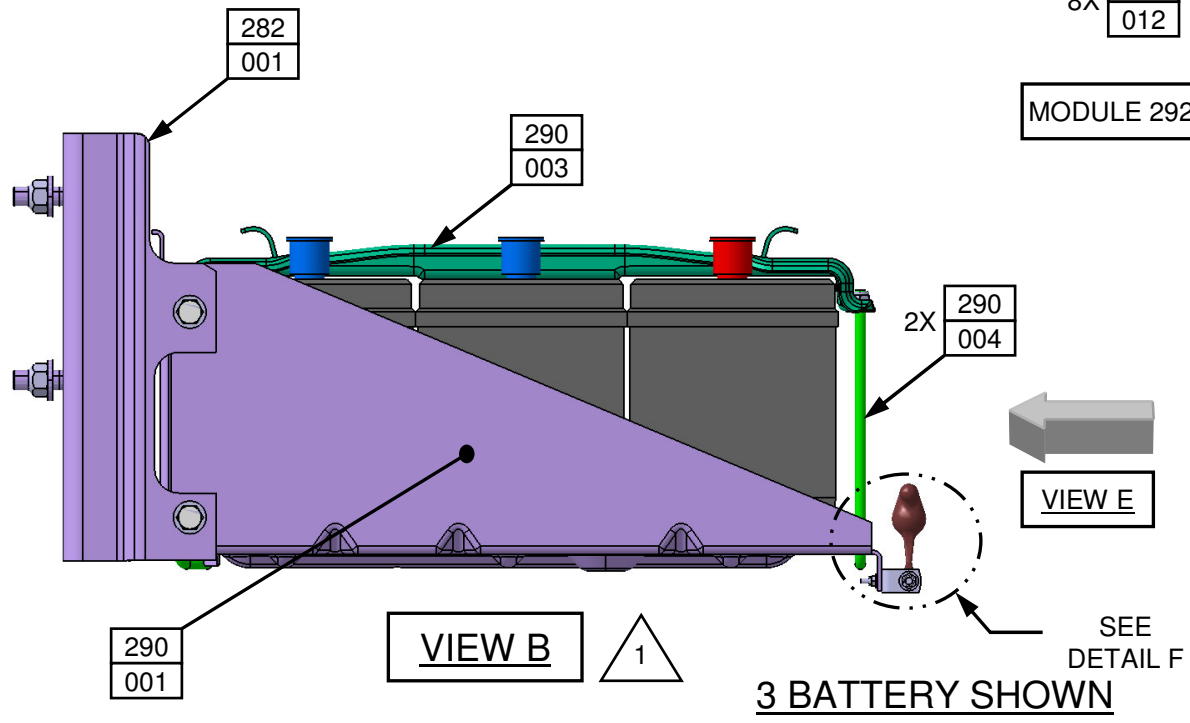
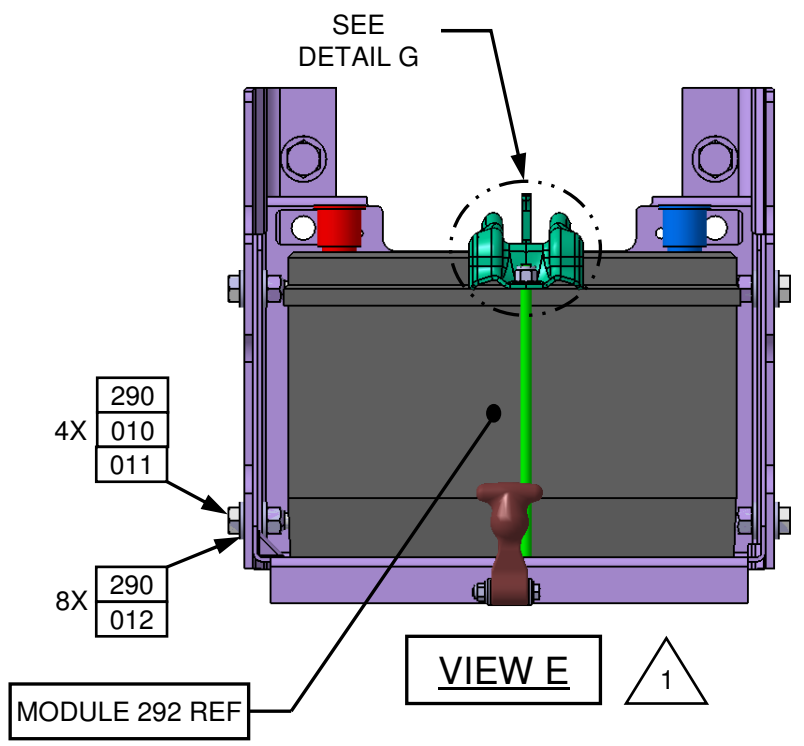
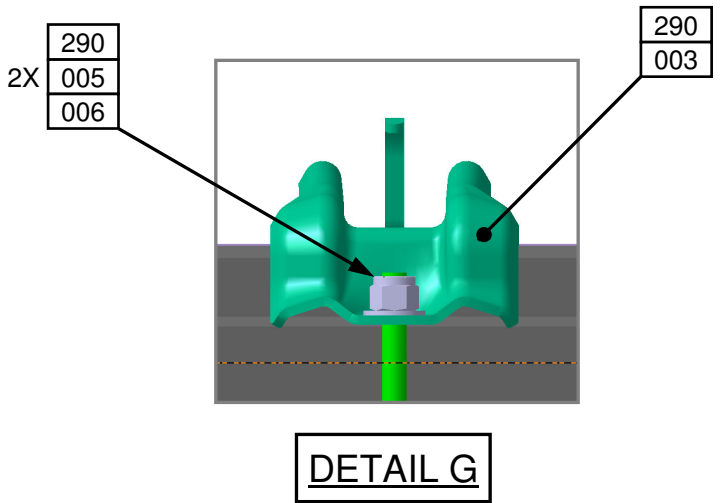
DETAIL D

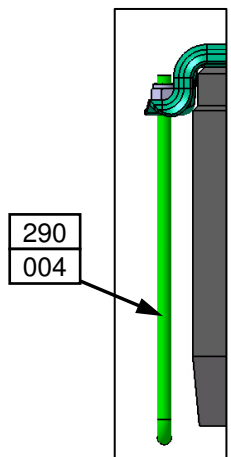


VIEW A



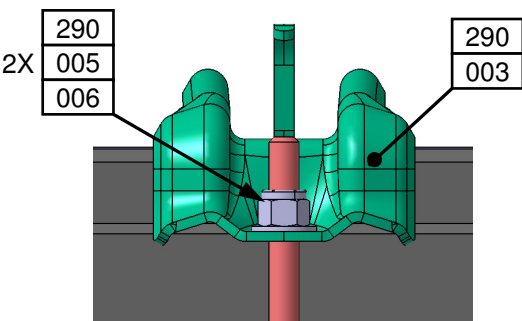
VIEW C



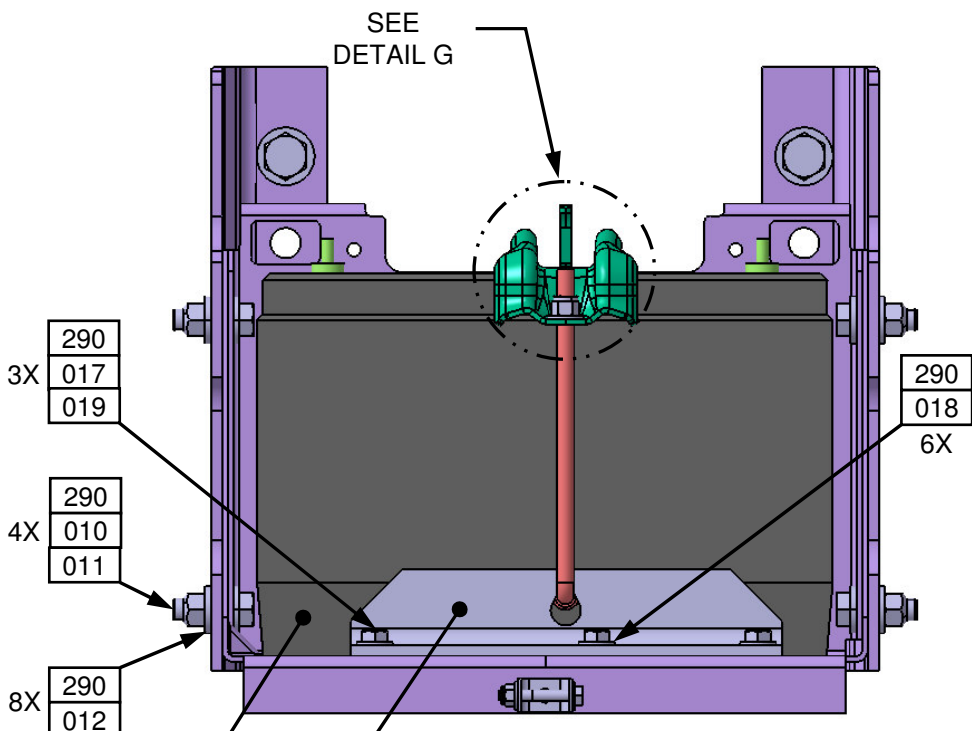


DETAIL H

ITEM 001 NOT SHOWN

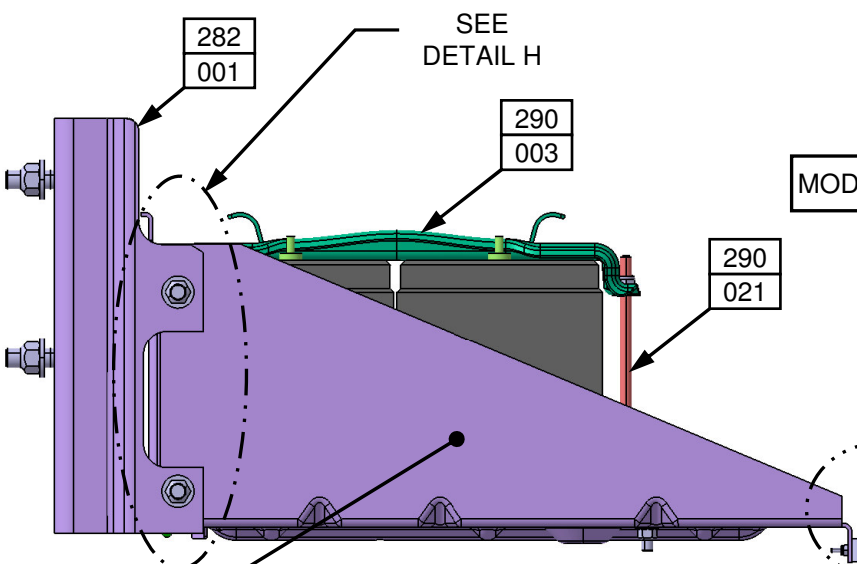


DETAIL G



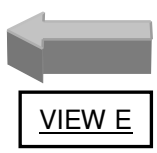
VIEW E

MODULE 292 REF



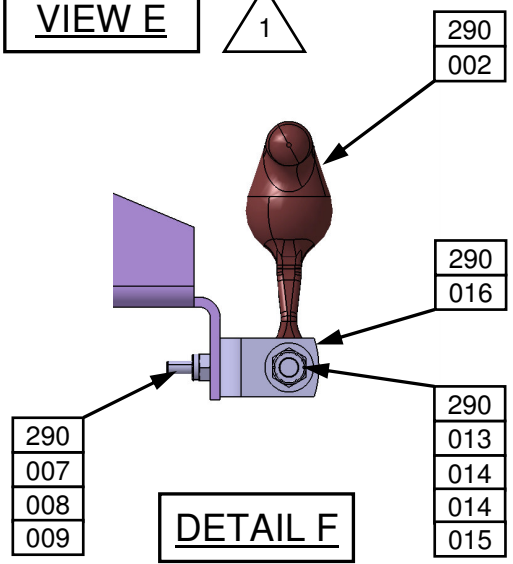
VIEW B

2 BATTERY SHOWN (A)



VIEW E

SEE DETAIL F



DETAIL F