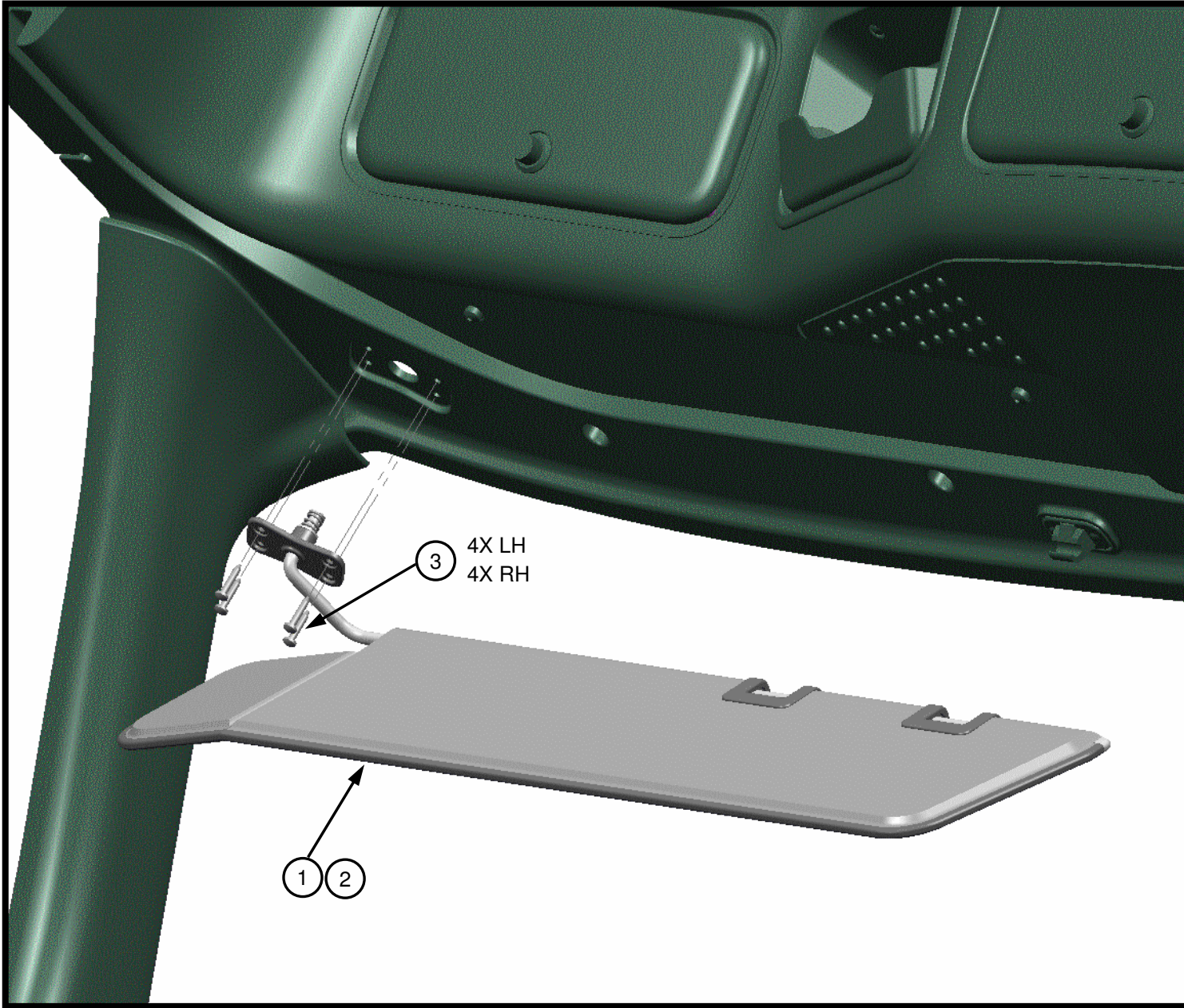


RELEASE NUMBER	REV LTR	REVISION DESCRIPTION	BY	DATE	APPD
P24651-15	-	INITIAL PRODUCTION RELEASE	RMS	10/12/06	TLH
P24651-21	A	REMOVED ITEM 4 (RETAINER CLIP), ITEM 3 QTY WAS 6 PER SIDE	RMS	07/03/07	MJH

1. TORQUE FASTENERS PER FREIGHTLINER SHOP PRACTICE SPEC 49-00104.

ITEM NUMBER	D18-60589-000	DESCRIPTION	DIAG-INSTL,SUNVISOR,INTERIOR	<b>FREIGHTLINER<sup>®</sup></b> LLC				
				THE INFORMATION CONTAINED HEREIN IS PROPRIETARY DATA, AND IS NOT FOR DISSEMINATION OR DISCLOSURE, IN WHOLE OR IN PART, FOR ANY PURPOSE OTHER THAN THAT FOR WHICH IT IS SUBMITTED, EXCEPT AS AUTHORIZED IN WRITING BY FREIGHTLINER LLC.				
				MATERIAL APPROVAL	DATE	MFG ENG/PURCH AGENT	DATE	
				NA	.	G.KNIPS	10/12/06	
				DRAWN BY	DATE	CHECKED BY	DATE	
				R.SIDERIUS	10/12/06	T.HOLT	10/12/06	
				RESPONSIBLE ENGINEER	DATE	APPROVED BY	DATE	
				T.HOLT	10/12/06	C.COOPER	10/12/06	
				DESCRIPTION				
				DIAG-INSTL,SUNVISOR,INTERIOR				
SUPPLEMENTAL DESCRIPTION								
P3 765A1								
ITEM/DRAWING NUMBER			REVISION LETTER	PAGE				
D18-60589			A	1				



ROTATE VISOR ASSY (ITEM 1,2) ABOUT PIVOT ROD FOR BETTER ACCESS TO BRKT ATTACH HOLES. INSTALL WITH HARDWARE (ITEM 3).

-000

LH SHOWN, RH OPPOSITE

ITEM/DRAWING NUMBER

D18-60589

REVISION LETTER

A

PAGE

2