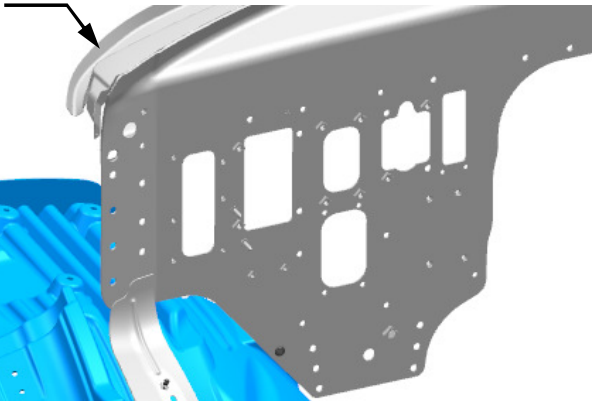
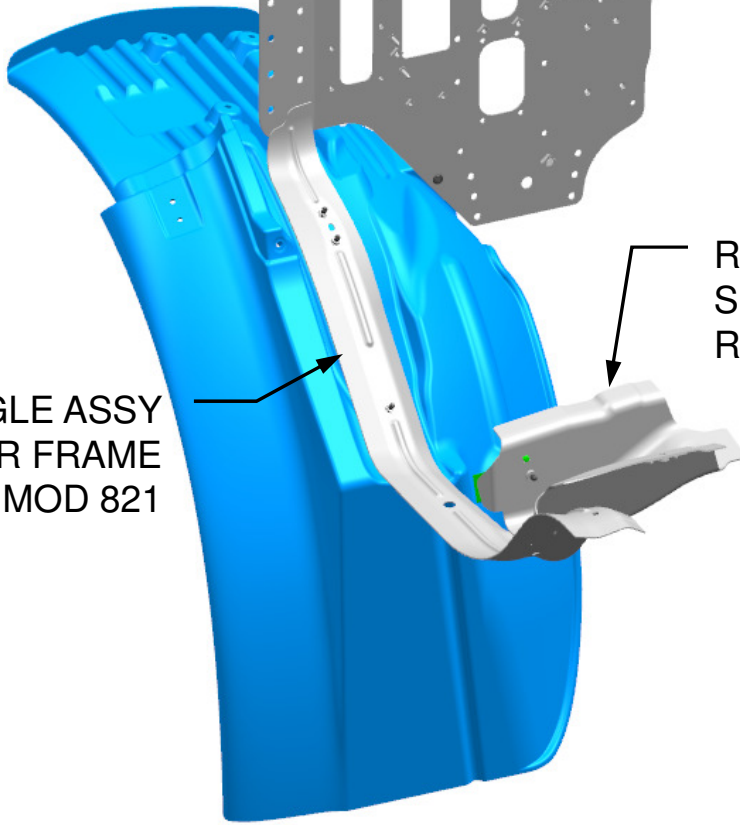


RELEASE NUMBER	REV LTR	REVISION DESCRIPTION	BY	DATE	APPD
P53426+03	-	INITIAL RELEASE	T3R	03/06/17	KGN

PANEL ASSY-  
FRONT WALL  
REF MOD 824



REINF ASSY  
SEAT, FRONT  
REF MOD 820



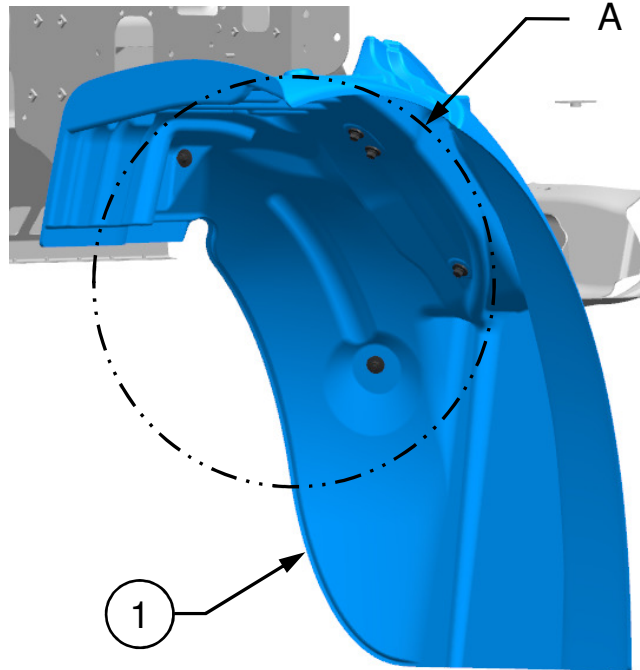
ANGLE ASSY  
DOOR FRAME  
REF MOD 821

ISO VIEW  
LH SHOWN  
RH OPPOSITE

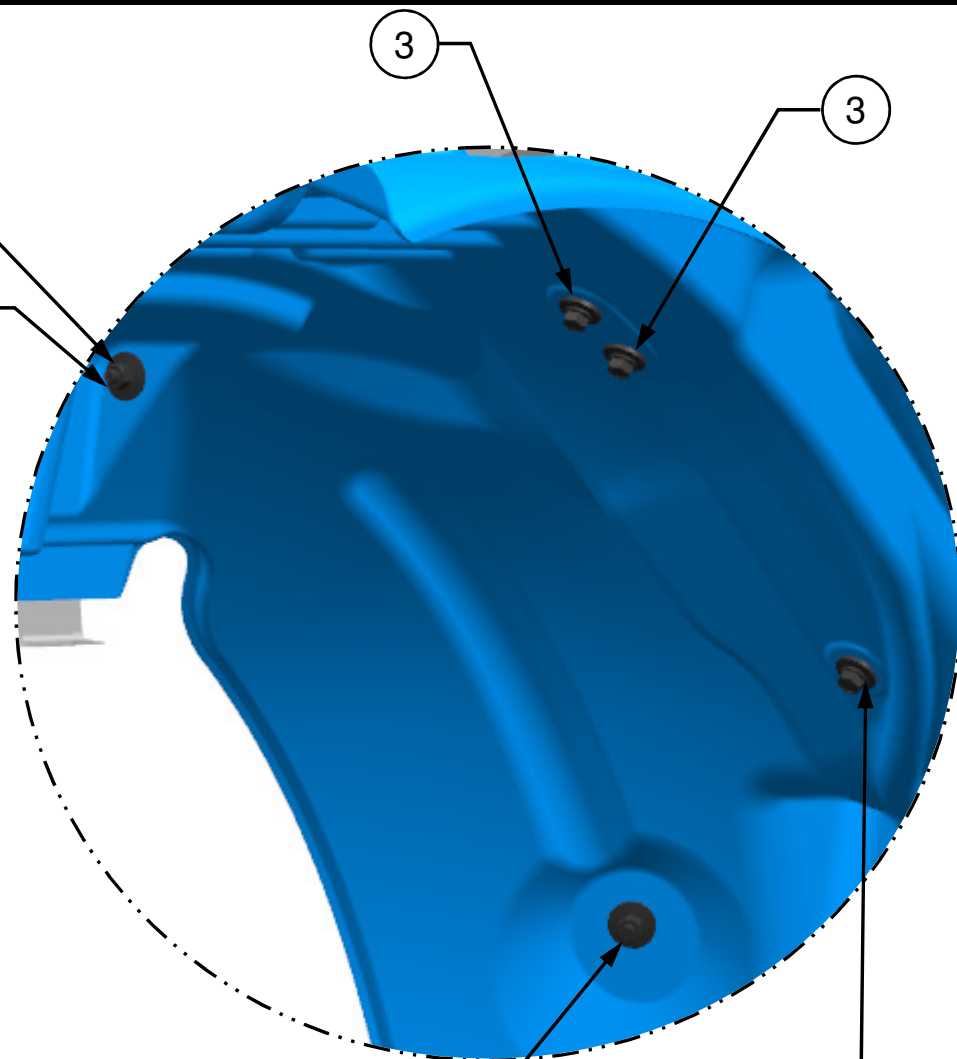
- TORQUE ALL FASTENERS PER SPEC 49-00104.

ITEM NUMBER D17-21182-000 DESCRIPTION INSTL-HALF FENDER,M2,106	<b>DAIMLER</b>		Daimler Trucks North America	
	THE INFORMATION CONTAINED HEREIN IS PROPRIETARY DATA, AND IS NOT FOR DISSEMINATION OR DISCLOSURE, IN WHOLE OR IN PART, FOR ANY PURPOSE OTHER THAN THAT FOR WHICH IT IS SUBMITTED, EXCEPT AS AUTHORIZED IN WRITING BY DAIMLER TRUCKS NORTH AMERICA LLC (DTNA)			
	MATERIAL APPROVAL	DATE	UNLESS OTHERWISE NOTED, DIMENSIONS AND TOLERANCES ARE DEFINED ACCORDING TO ASME Y14.5M- 1994, WITH EXCEPTION PER DTNA 09ENG-WI037	
	N/A	N/A		
	DRAWN BY	DATE		
	T.ROBINSON	03/06/17		
	CHECKED BY	DATE		
	T.LESLIE	03/06/17		
	RESPONSIBLE ENGINEER	DATE	THIRD ANGLE PROJECTION	UNITS OF MEASURE MM
	T.ROBINSON	03/06/17		
APPROVED BY	DATE			
K.NEALE	03/06/17			
DESCRIPTION INSTL-HALF FENDER,M2,106 SUPPLEMENTAL DESCRIPTION FLM 667A1				
ITEM/DRAWING NUMBER <b>D17-21182</b>		REVISION LETTER -	PAGE 1 of 3	

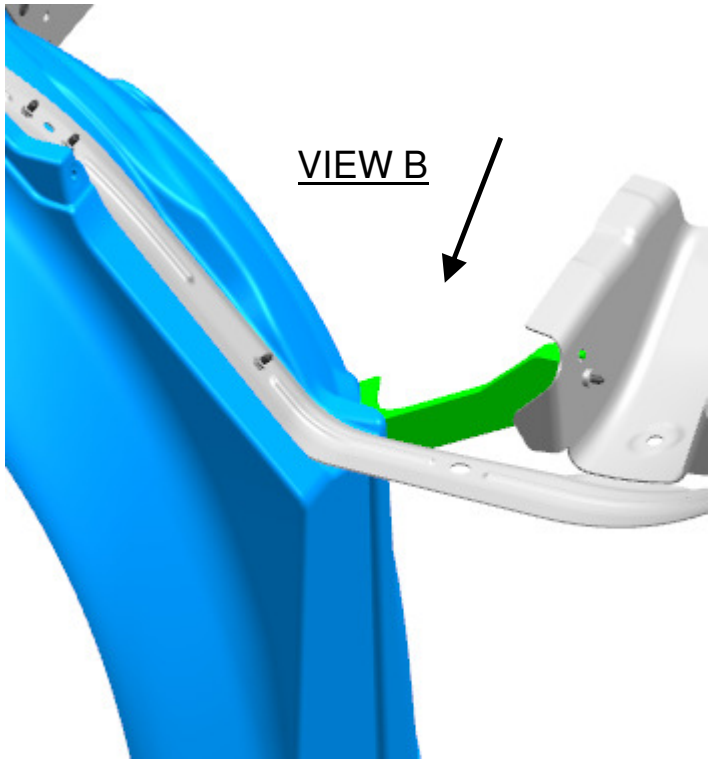
M8 WELD STUD,  
PRE INSTALLED IN  
FRONT WALL  
PANEL ASSY.  
REF MOD 824



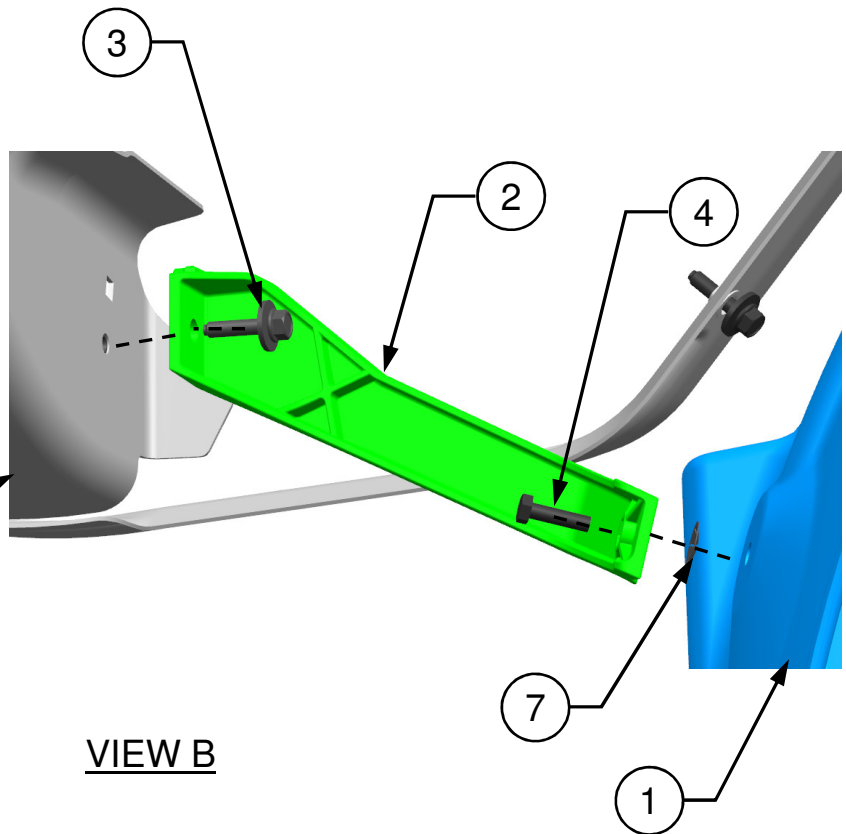
LH SHOWN  
RH OPPOSITE



DETAIL A



VIEW B



VIEW B

REINF ASSY  
SEAT, FRONT  
REF MOD 820