
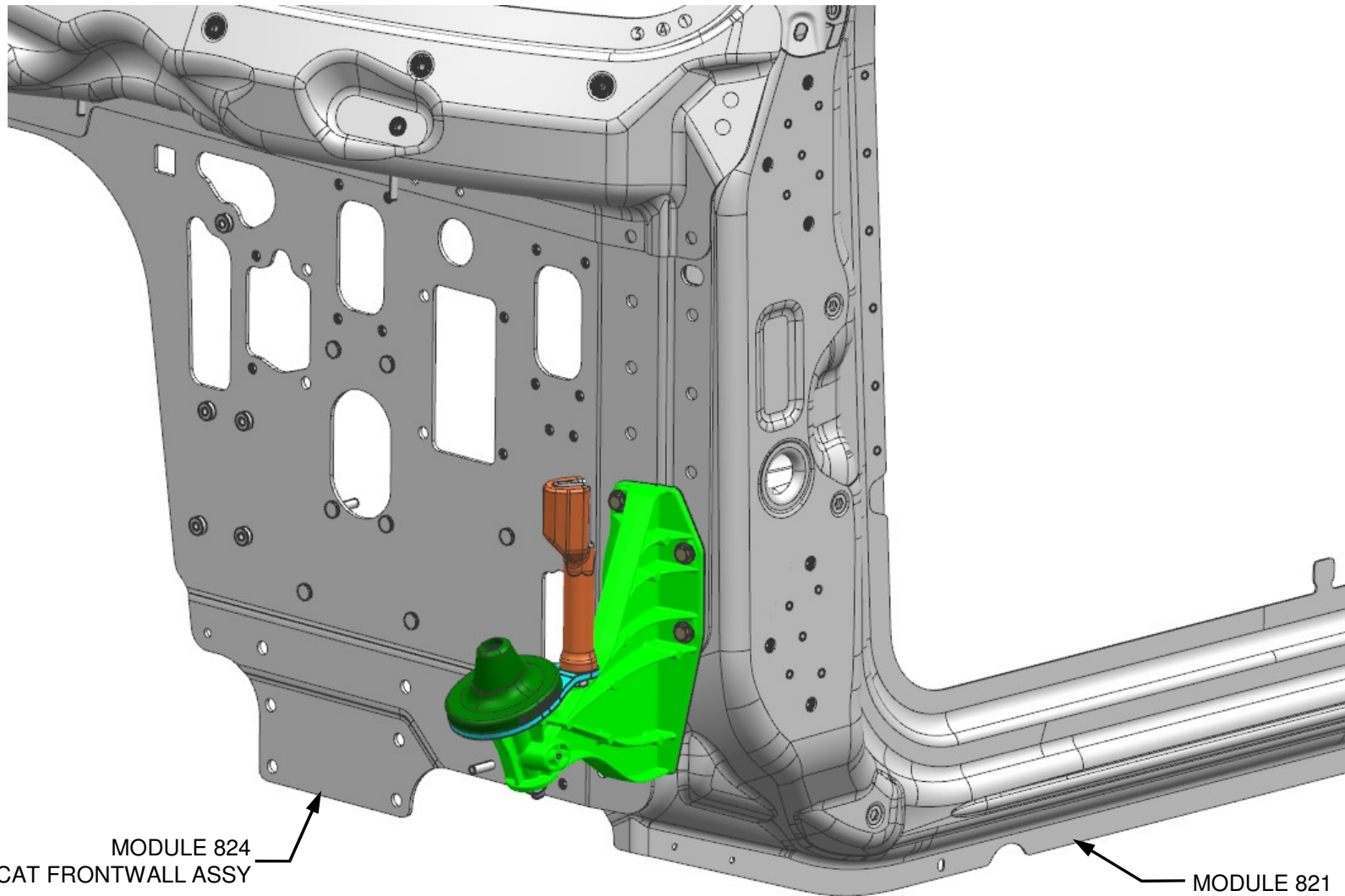


RELEASE NUMBER	REV LTR	REVISION DESCRIPTION	BY	DATE	APPD
P48951-05	-	INITIAL RELEASE	KS2	11/2/215	MID
PLIA02-V8	A	ADDED NOTE ON PAGE 3	JH6	03/08/2017	DRG

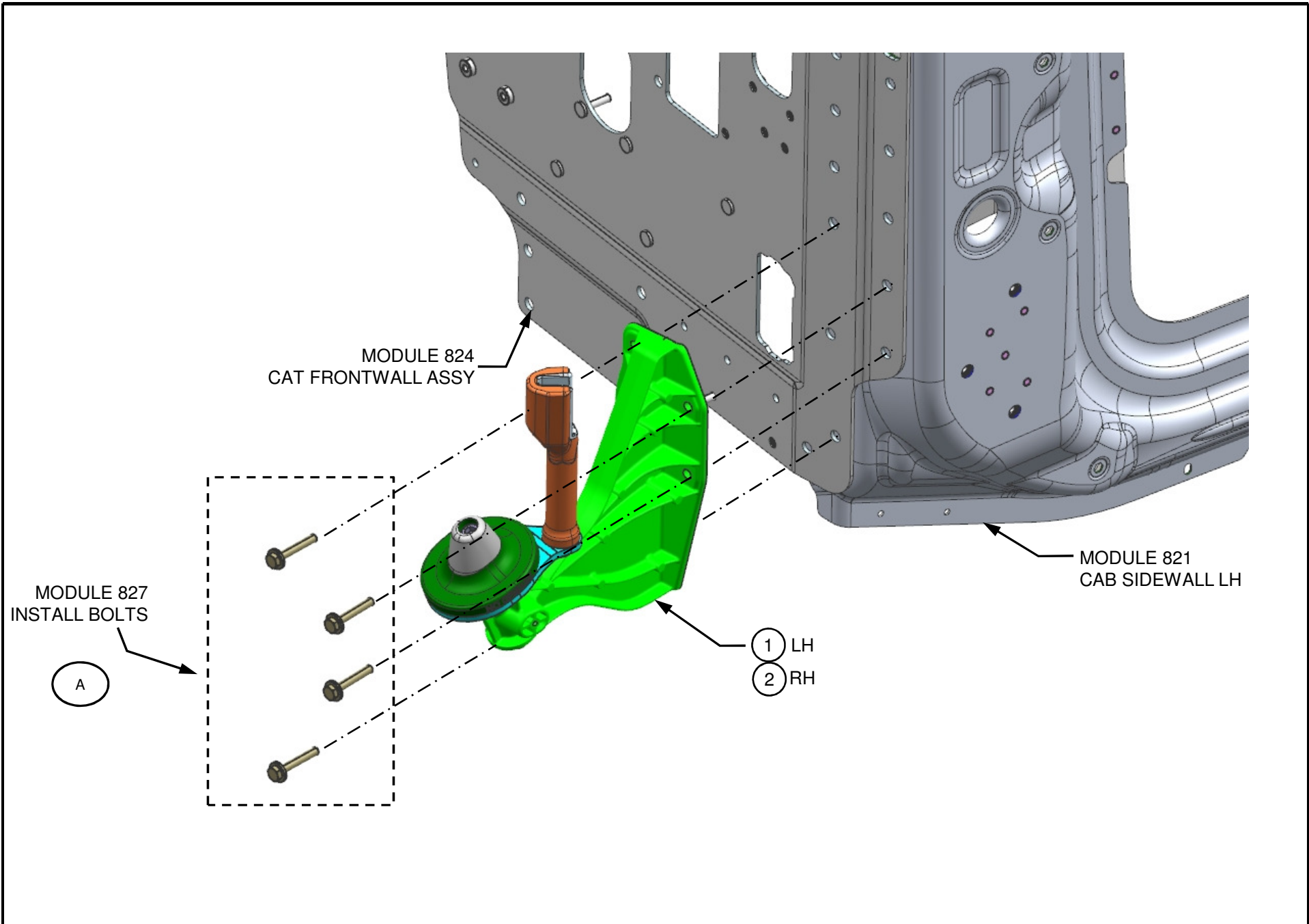
- SEE MODULE 824, CAB FRONTWALL, FOR FASTENER TORQUE SPECS.

ITEM NUMBER D17-20969-000	DESCRIPTION INSTL-SUPT, REAR, HOOD	<b>DAIMLER</b>		Daimler Trucks North America			
		THE INFORMATION CONTAINED HEREIN IS PROPRIETARY DATA, AND IS NOT FOR DISSEMINATION OR DISCLOSURE, IN WHOLE OR IN PART, FOR ANY PURPOSE OTHER THAN THAT FOR WHICH IT IS SUBMITTED, EXCEPT AS AUTHORIZED IN WRITING BY DAIMLER TRUCKS NORTH AMERICA LLC (DTNA)					
		MATERIAL APPROVAL		DATE		UNLESS OTHERWISE NOTED, DIMENSIONS AND TOLERANCES ARE DEFINED ACCORDING TO ASME Y14.5M- 1994, WITH EXCEPTION PER DTNA 09ENG-WI037	
		N/A		N/A			
		DRAWN BY		DATE			
		K.STAGER		11/2/15			
		CHECKED BY		DATE			
		R.HERZ		11/2/15		THIRD ANGLE PROJECTION 	UNITS OF MEASURE MM
		RESPONSIBLE ENGINEER		DATE			
		R.HERZ		11/2/15			
APPROVED BY		DATE					
M.DAWSON		11/2/15					
DESCRIPTION INSTL-SUPT, REAR, HOOD							
SUPPLEMENTAL DESCRIPTION 643A1-P3							
ITEM/DRAWING NUMBER <b>D17-20969</b>				REVISION LETTER <b>A</b>			
				PAGE 1 of 3			



MODULE 824  
CAT FRONTWALL ASSY

MODULE 821  
CAB SIDEWALL LH



THE INFORMATION CONTAINED HEREIN IS PROPRIETARY DATA, AND IS NOT FOR DISSEMINATION OR DISCLOSURE, IN WHOLE OR IN PART, FOR ANY PURPOSE OTHER THAN THAT FOR WHICH IT IS SUBMITTED, EXCEPT AS AUTHORIZED IN WRITING BY DAIMLER TRUCKS NORTH AMERICA LLC (DTNA)

**DAIMLER**

Daimler Trucks  
North America

ITEM/DRAWING NUMBER  
**D17-20969**

REVISION LETTER  
**A**

PAGE  
3 of 3