

RELEASE NUMBER	REV LTR	REVISION DESCRIPTION	BY	DATE	APPD
P40883-02	-	INITIAL RELEASE	GDP	03/29/11	RPW

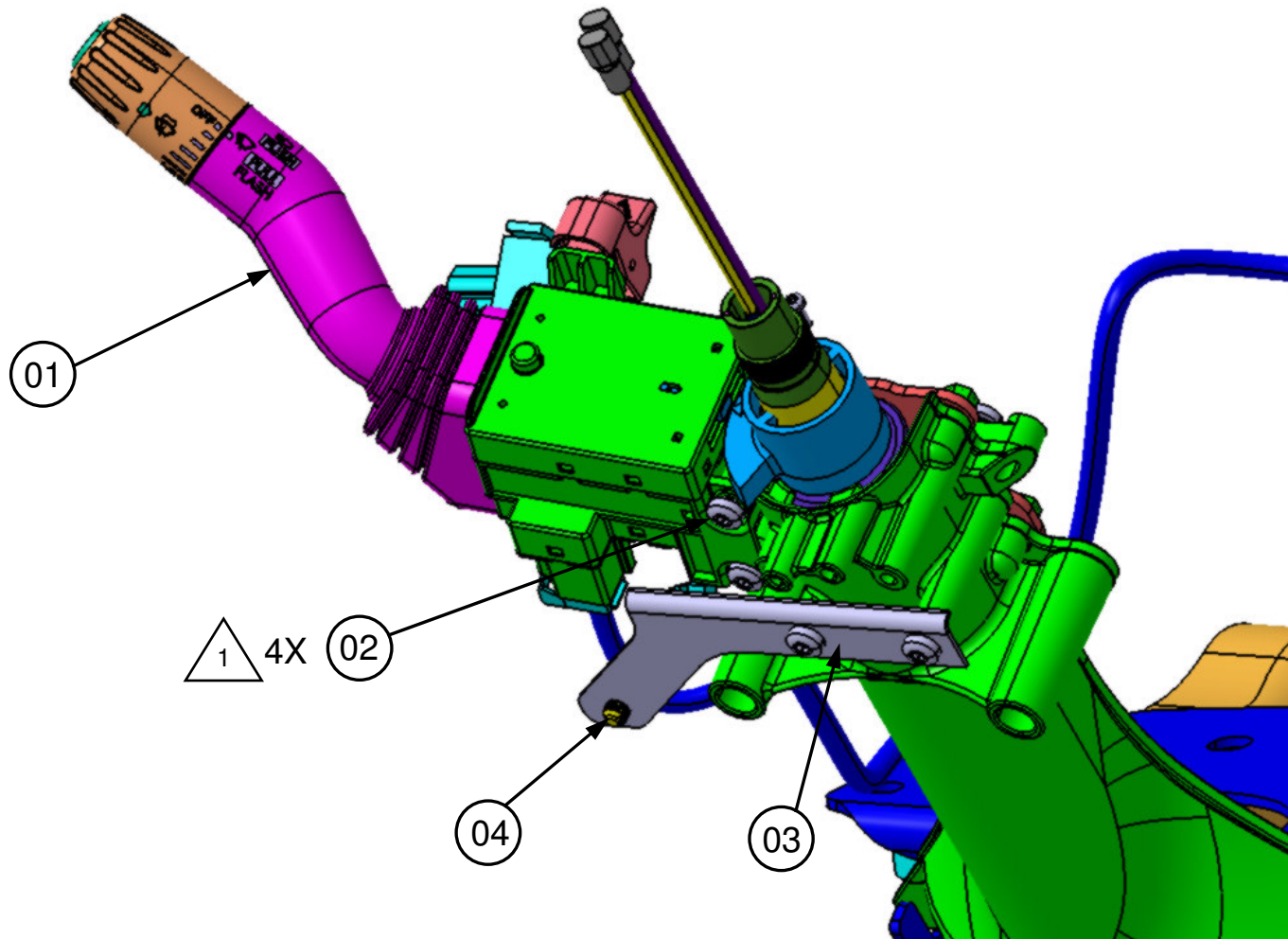


1. TORQUE TO 8-10 NM (6.0-7.5 FT-LBS).



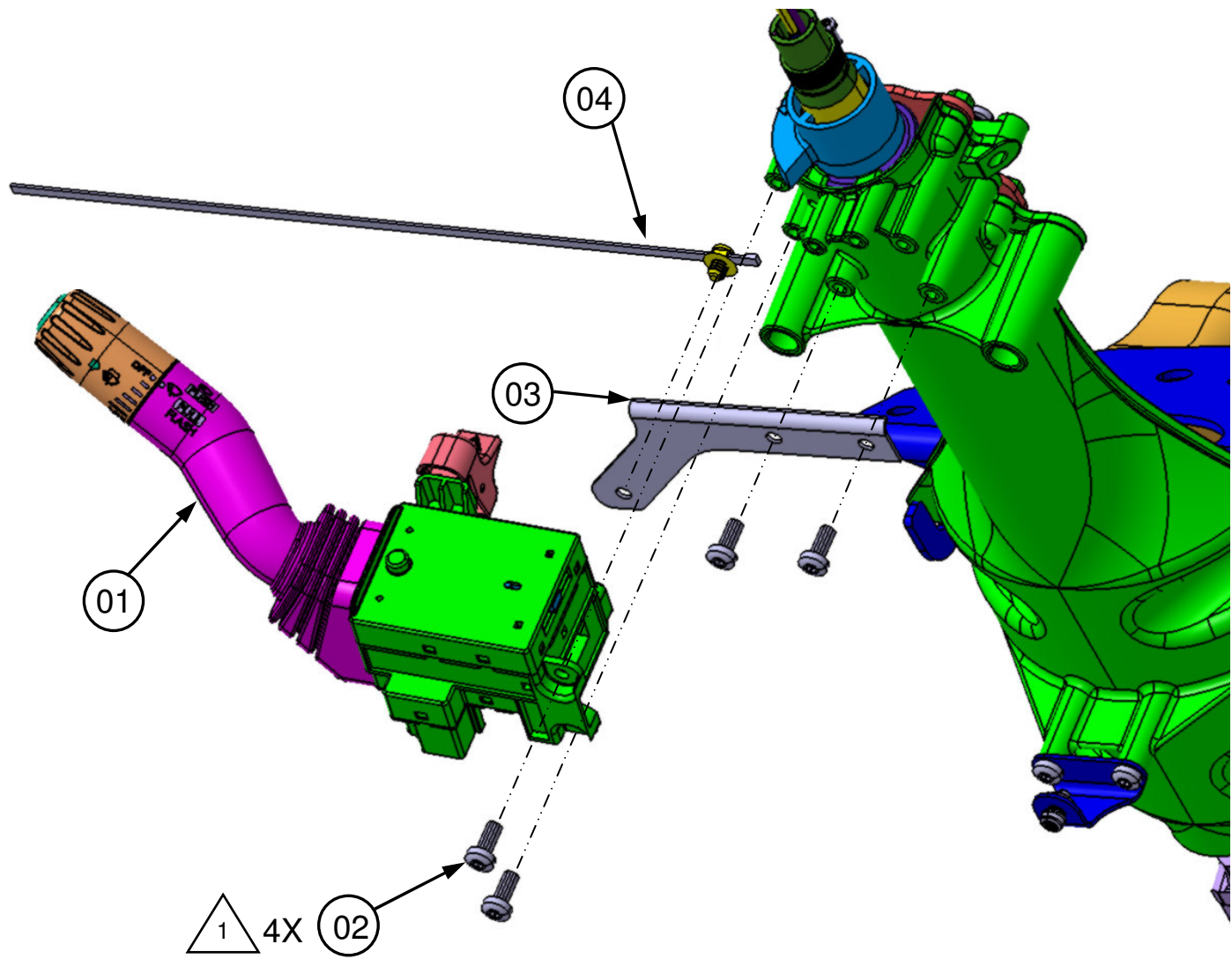
2. SECURE WIRE HARNESS SNUGLY TO WIRING SUPPORT BRACKET (ITEM 3) USING TIE STRAP-FIR TREE (ITEM 4)

ITEM NUMBER D14-18656-000	DESCRIPTION INSTL-TURN SIGNAL CONTROL SW	DAIMLER		Daimler Trucks North America			
		THE INFORMATION CONTAINED HEREIN IS PROPRIETARY DATA, AND IS NOT FOR DISSEMINATION OR DISCLOSURE, IN WHOLE OR IN PART, FOR ANY PURPOSE OTHER THAN THAT FOR WHICH IT ISSUBMITTED, EXCEPT AS AUTHORIZED IN WRITING BY DAIMLER TRUCKS NORTH AMERICA LLC (DTNA)					
		MATERIAL APPROVAL		DATE		UNLESS OTHERWISE NOTED, DIMENSIONS AND TOLERANCES ARE DEFINED ACCORDING TO ASME Y14.5M-1994, WITH EXCEPTION PER DTNA 09ENG-WI037	
		N/A		N/A			
		DRAWN BY G.PHAM		DATE 03/29/11			
		CHECKED BY R.WEBER		DATE 03/29/11			
		RESPONSIBLE ENGINEER		DATE		THIRD ANGLE PROJECTION	
		G.PHAM		03/29/11			
		APPROVED BY R.WEBER		DATE 03/29/11		UNITS OF MEASURE MM	
		DESCRIPTION INSTL-TURN SIGNAL CONTROL SW					
SUPPLEMENTAL DESCRIPTION 299D1							
ITEM/DRAWING NUMBER D14-18656				REVISION LETTER -			
				PAGE 1 of 4			



INSTALLED VIEW

SOME ITEMS NOT SHOW FOR CLARITY



EXPLODED VIEW

SOME ITEMS NOT SHOW FOR CLARITY

