



Feature(s) on this drawing are subject to the Safety-Relevant Characteristic Policy 09ENG-PROC008

RELEASE NUMBER	REV LTR	REVISION DESCRIPTION	BY	DATE	APPD
P31994-06	-	INITIAL RELEASE	NRW	11/05/10	SST
P49046-A7	A	UPDATED NOTE 1 AND ADDED SAFETY RELEVANT NOTE	A6S	08/25/14	SAW
P59245-01	B	1. NOTE 1 REFERENCED 40.7 - 47.5 N-m (30-35 lbf-ft) 2. ADDED DS SYMBOLS	H1P	03/19/20	AWN

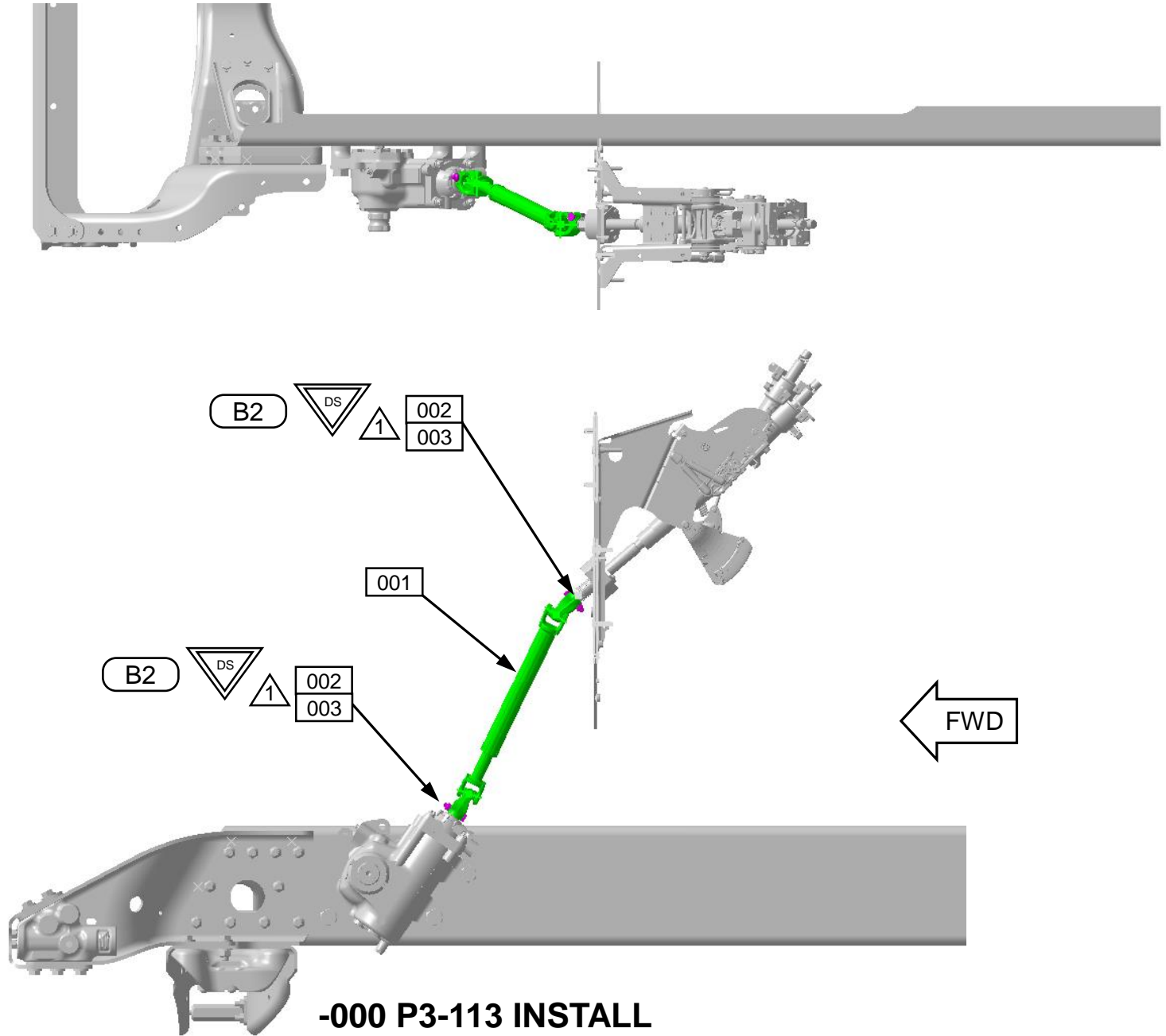
B1



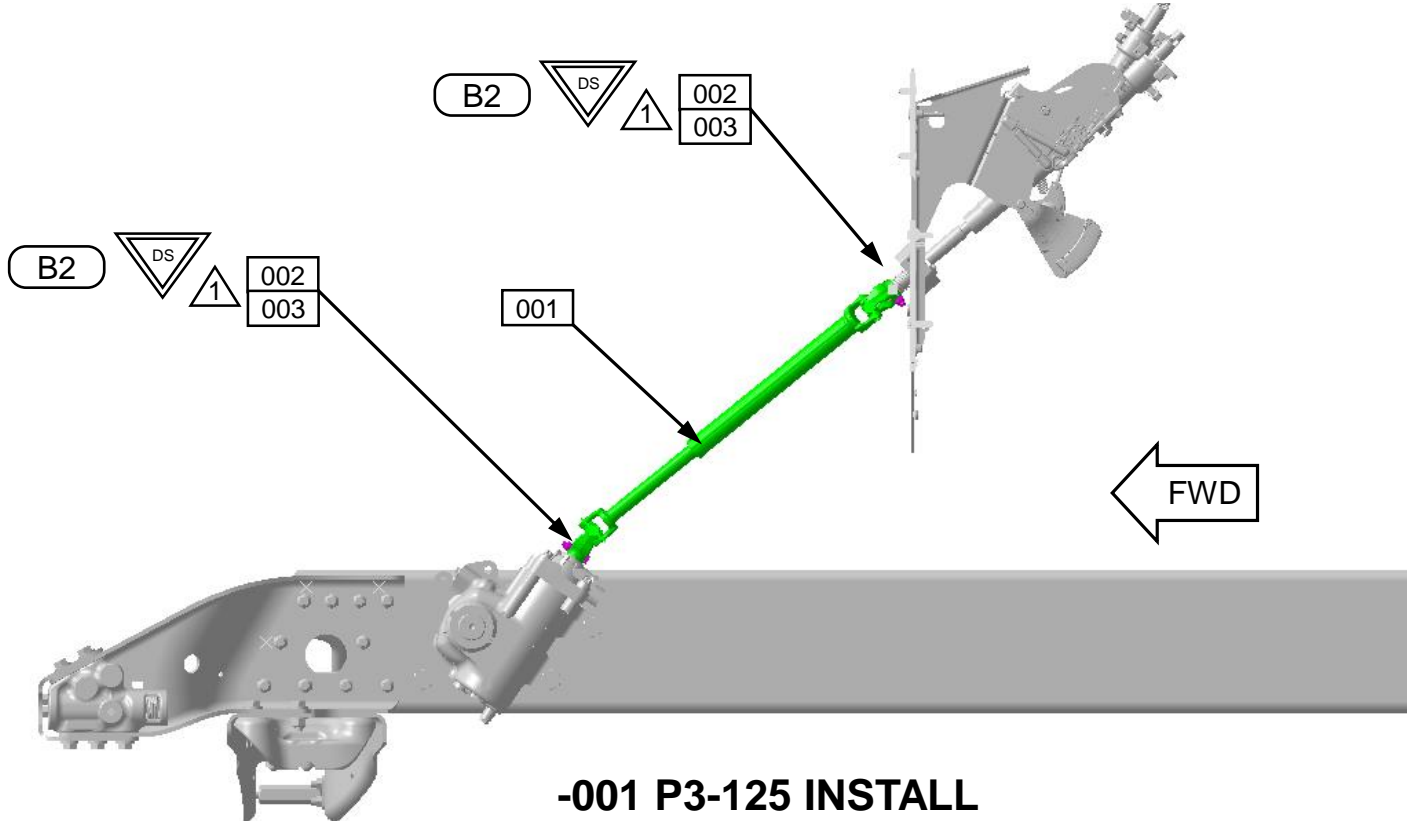
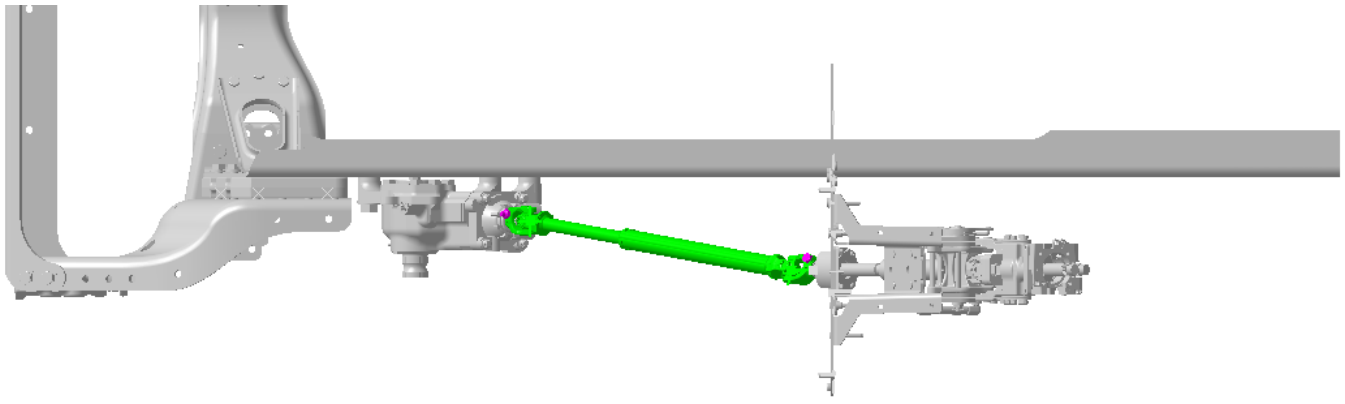
SEE BOM FOR TORQUE SPECIFICATION.

DO NOT REUSE PINCH BOLT AND NUT IF REMOVED AFTER TORQUED

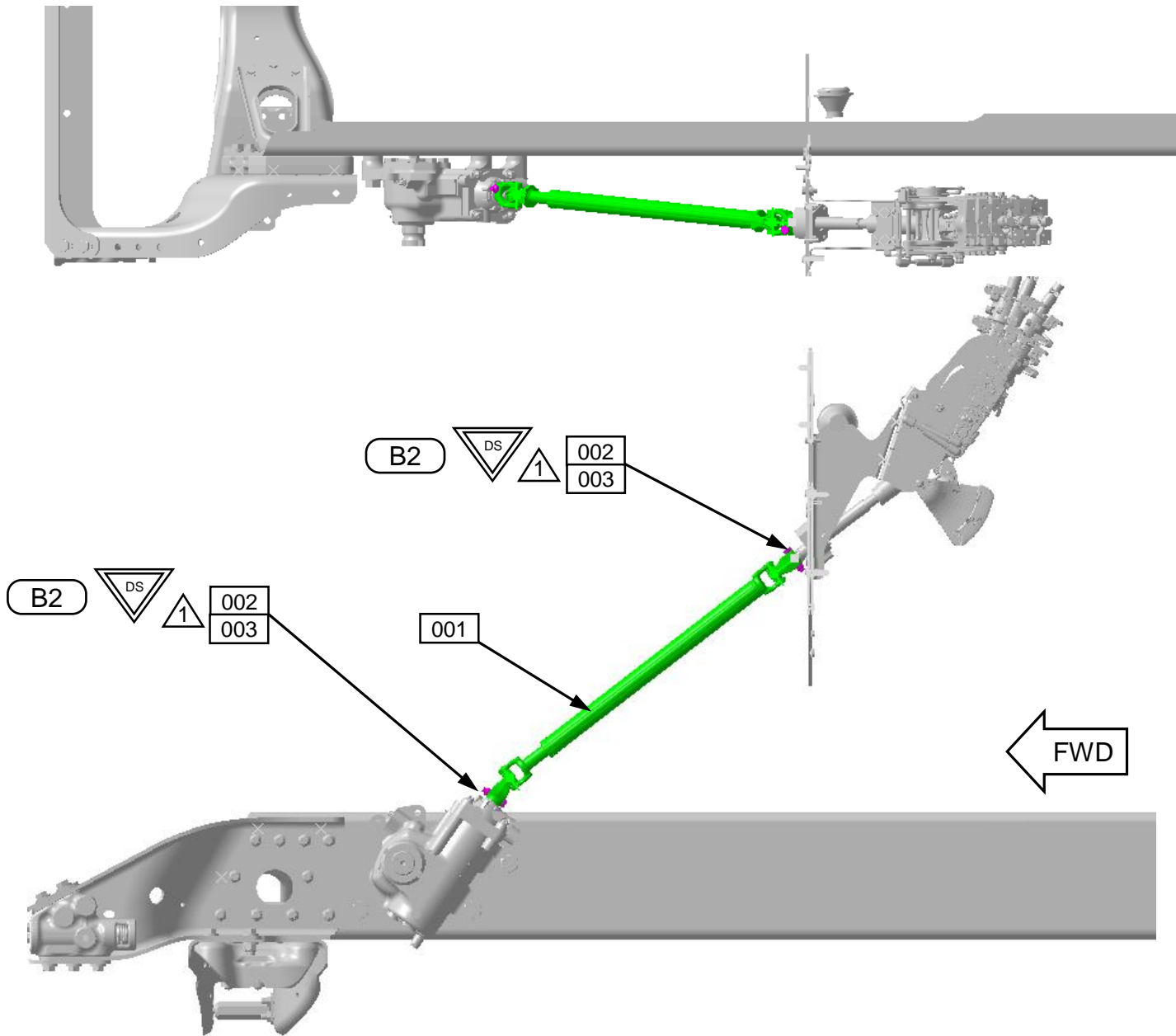
ITEM NUMBER		D14-18368-002	DAIMLER		Daimler Trucks North America	
DESCRIPTION		INSTL-STRG SHAFT,24U-122	THE INFORMATION CONTAINED HEREIN IS PROPRIETARY DATA, AND IS NOT FOR DISSEMINATION OR DISCLOSURE, IN WHOLE OR IN PART, FOR ANY PURPOSE OTHER THAN THAT FOR WHICH IT IS SUBMITTED, EXCEPT AS AUTHORIZED IN WRITING BY DAIMLER TRUCKS NORTH AMERICA LLC (DTNA)			
ITEM NUMBER		D14-18368-001	MATERIAL APPROVAL	DATE	UNLESS OTHERWISE NOTED, DIMENSIONS AND TOLERANCES ARE DEFINED ACCORDING TO ASME Y14.5M- 1994, WITH EXCEPTION PER DTNA 09ENG-WI037	
DESCRIPTION		INSTL-STRG SHAFT,P3-125	S.TABARI	11/05/10		
ITEM NUMBER		D14-18368-000	DRAWN BY	DATE		
DESCRIPTION		INSTL-STRG SHAFT,P3-113	N.WUSZ	11/05/10		
ITEM NUMBER			CHECKED BY	DATE	THIRD ANGLE PROJECTION	
DESCRIPTION			S.TABARI	11/05/10		
DESCRIPTION			RESPONSIBLE ENGINEER	DATE		
			A.WEDAM	11/05/10	UNITS OF MEASURE	
			APPROVED BY	DATE	MM	
			S.TABARI	11/05/10		
DESCRIPTION						
INSTL-STRG SHAFT,SBA,BOLT ON,CMN CLMN						
SUPPLEMENTAL DESCRIPTION						
537A1						
ITEM/DRAWING NUMBER				REVISION LETTER	PAGE	
D14-18368				B	1 of 4	



**-000 P3-113 INSTALL**  
 THP60 GEAR SHOWN, TAS85 SIMILAR



**-001 P3-125 INSTALL**  
THP60 GEAR SHOWN, TAS85 SIMILAR



**-002 24U-122 INSTALL**  
 THP60 GEAR SHOWN, TAS85 SIMILAR