

| RELEASE NUMBER | REV LTR | REVISION DESCRIPTION | BY | DATE | APPD |
|----------------|---------|----------------------|-----|----------|------|
| P36719-02 | - | INITIAL RELEASE | NRW | 11/10/08 | SST |
| | | | | | |
| | | | | | |
| | | | | | |

1 ORIENT FITTING APPROXIMATELY AS SHOWN IN DETAIL A.

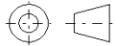


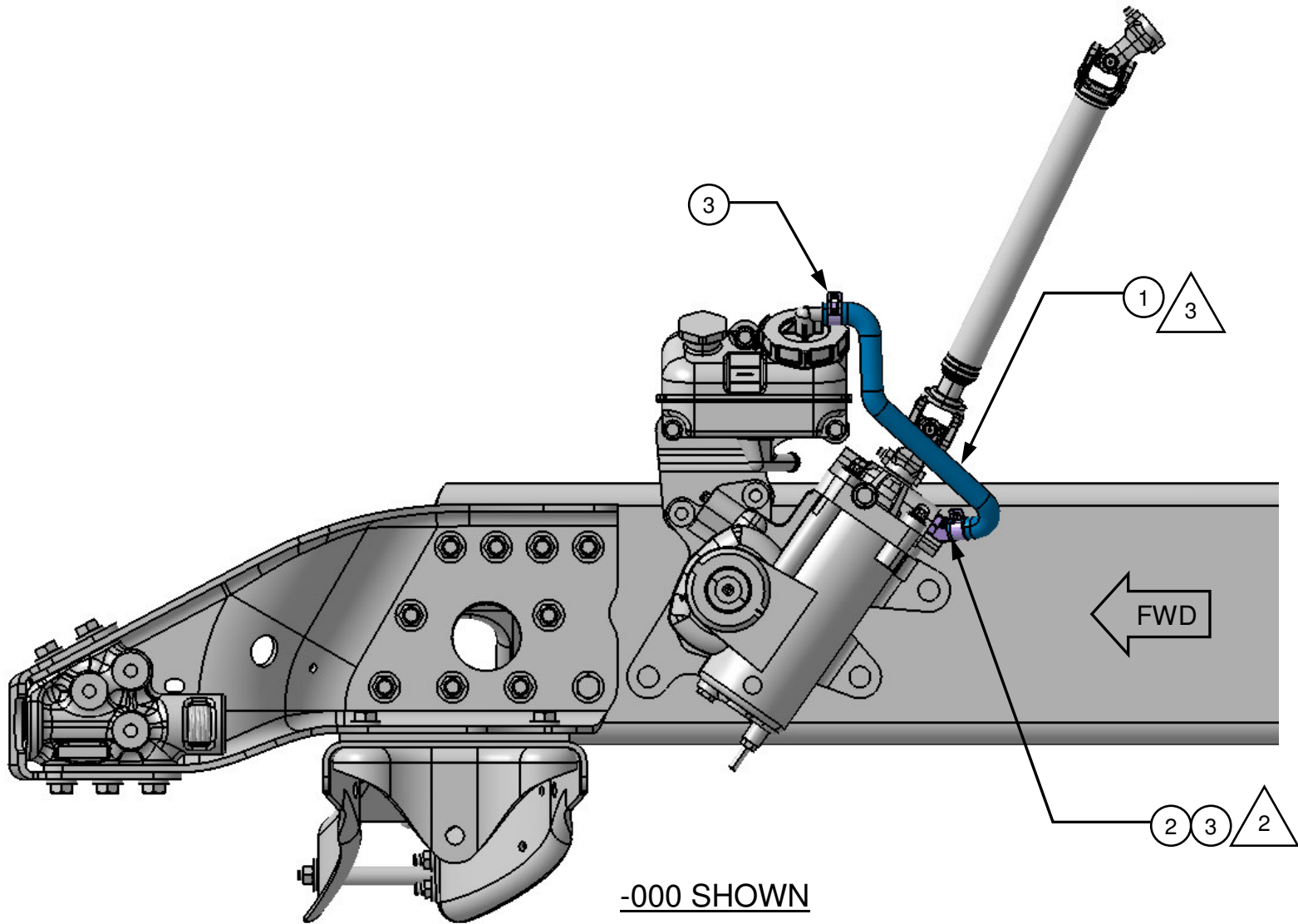
2 TORQUE 25 +/- 6 Nm (18 +/- 5 LBS. FT) (3/4" PORT BRASS FITTING AT GEAR).



3 INK STAMP AT RESERVOIR TO BE AT 12:00 POSITION.

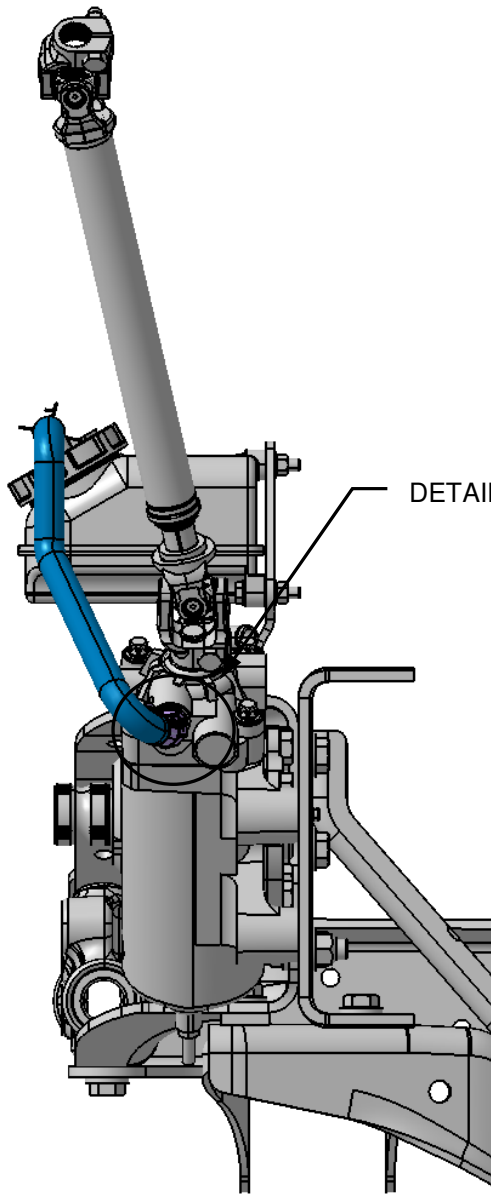
DELIVERY MUST CONFORM EXACTLY WITH DRAWING SPECIFICATIONS AND, WHERE REQUIRED BY Q.A., WITH APPROVED Q.A. SAMPLES. ABSOLUTELY NO CHANGES ARE PERMITTED WITHOUT PRIOR APPROVAL BY DTNA. THIS INCLUDES CHANGES TO: SOFTWARE, MATERIALS, INTERNAL COMPONENTS, MANUFACTURING PROCESSES.

| | | | | | | | | | |
|------------------------------|---|------------------------------|---|--|--|---------------------------------|--|--------|--|
| ITEM NUMBER D14-17803-001 | DESCRIPTION INSTL-PLMB,STRG,FRMD,RTN,4QT | ITEM NUMBER D14-17803-000 | DESCRIPTION INSTL-PLMB,STRG,FRMD,RTN,2QT | DAIMLER | | Daimler Trucks North America | | | |
| | | | | THE INFORMATION CONTAINED HEREIN IS PROPRIETARY DATA, AND IS NOT FOR DISSEMINATION OR DISCLOSURE, IN WHOLE OR IN PART, FOR ANY PURPOSE OTHER THAN THAT FOR WHICH IT IS SUBMITTED, EXCEPT AS AUTHORIZED IN WRITING BY DAIMLER TRUCKS NORTH AMERICA LLC (DTNA) | | | | | |
| MATERIAL APPROVAL | | DATE | | UNLESS OTHERWISE NOTED, DIMENSIONS AND TOLERANCES ARE DEFINED ACCORDING TO ASME Y14.5M-1994, WITH EXCEPTION PER DTNA.09ENG-WI037 | | | | | |
| S.TABARI | | 11/10/08 | | THIRD ANGLE PROJECTION | | UNITS OF MEASURE Mm | | | |
| DRAWN BY | | DATE | |  | | DATE | | | |
| N.WUSZ | | 11/10/08 | | | | | | | |
| RESPONSIBLE ENGINEER | | DATE | | CHECKED BY | | DATE | | | |
| C.METCALFE | | 11/10/08 | | S.TABARI | | 11/13/08 | | | |
| MFG ENG/PURCH AGENT | | DATE | | APPROVED BY | | DATE | | | |
| J.WEDDLE | | 11/11/08 | | S.TABARI | | 11/10/08 | | | |
| DESCRIPTION | | | | INSTL-PLMB,STRG,SBA,FRMD,RTN | | | | | |
| SUPPLEMENTAL DESCRIPTION | | | | 535A1 | | | | | |
| ITEM/DRAWING NUMBER | | | | D14-17803 | | REVISION LETTER | | PAGE | |
| | | | | | | - | | 1 of 3 | |



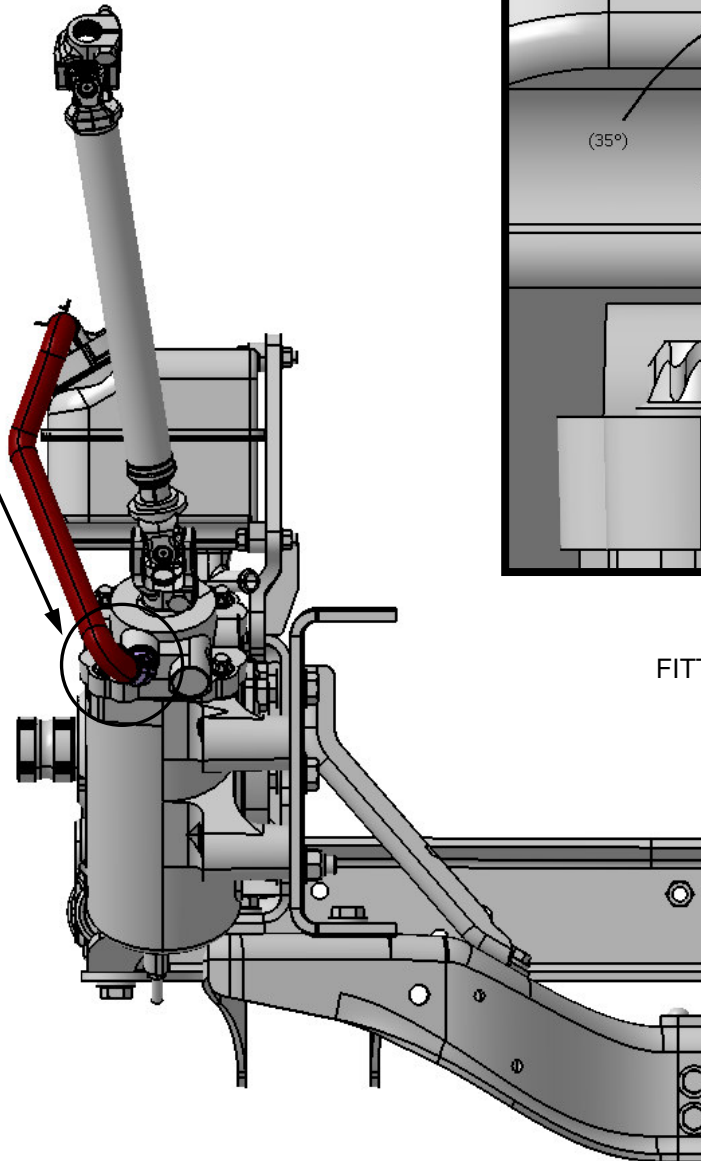
-000 SHOWN

-001 SIMILAR

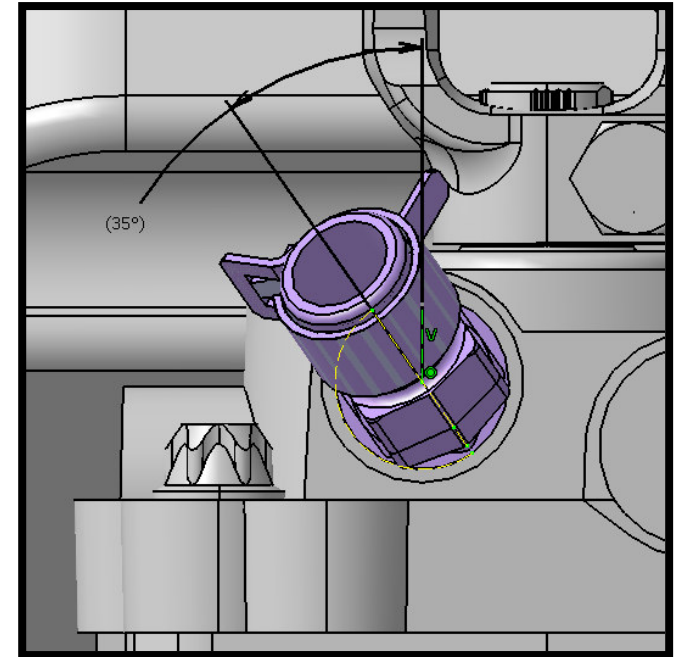


-000

DETAIL A



-001



DETAIL A
FITTING ALIGNMENT ANGLE TO
BE 35° FROM VERTICAL.