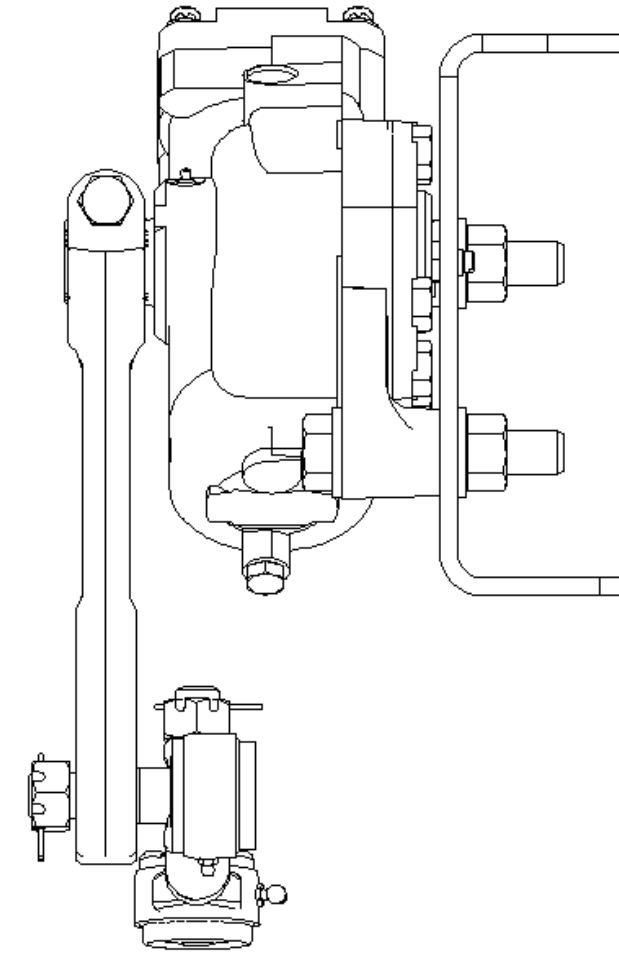
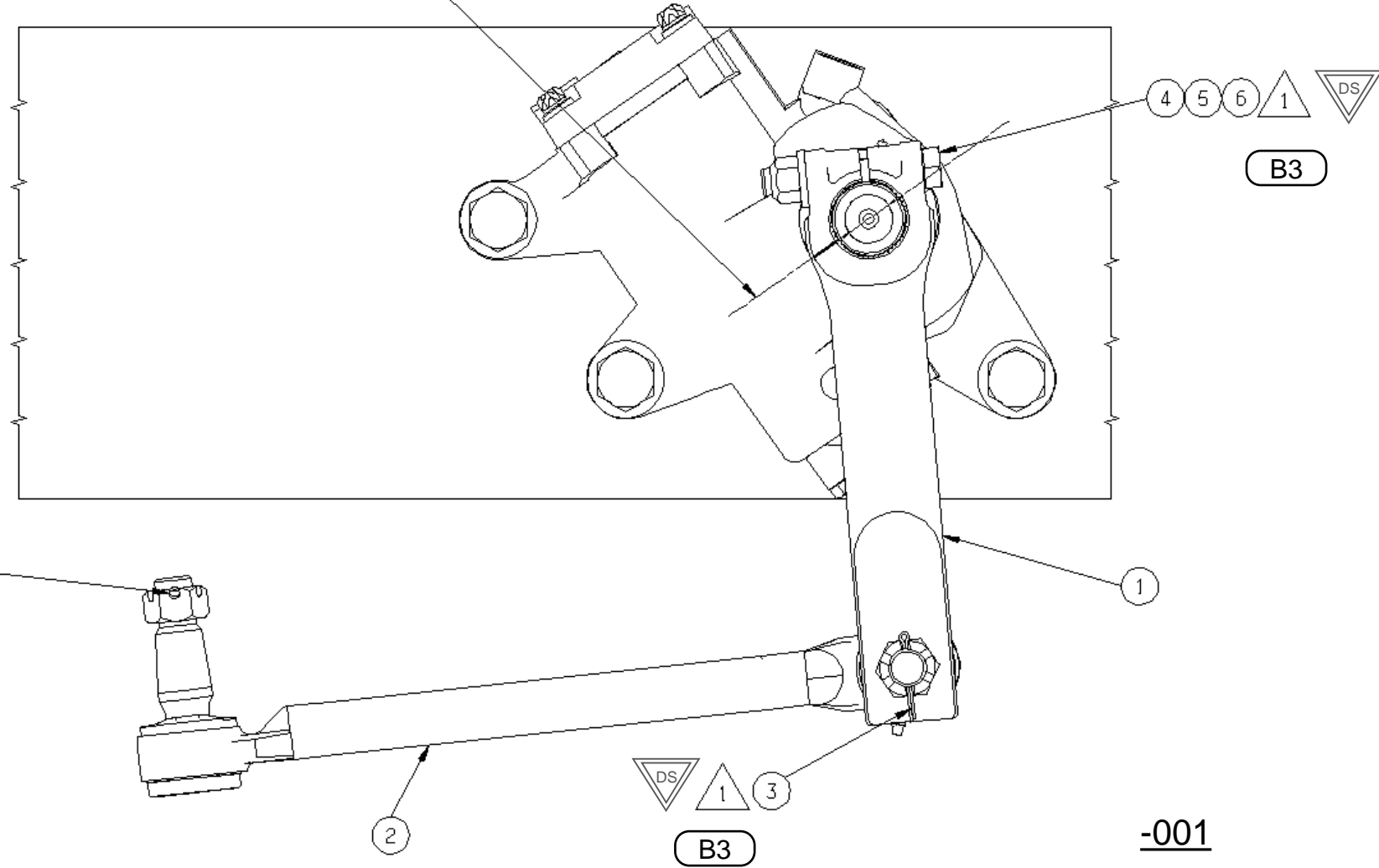


TIMING LINE ON PITMAN ARM
MUST BE ALIGNED WITH TIMING
LINE ON SECTOR SHAFT



-001