
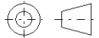


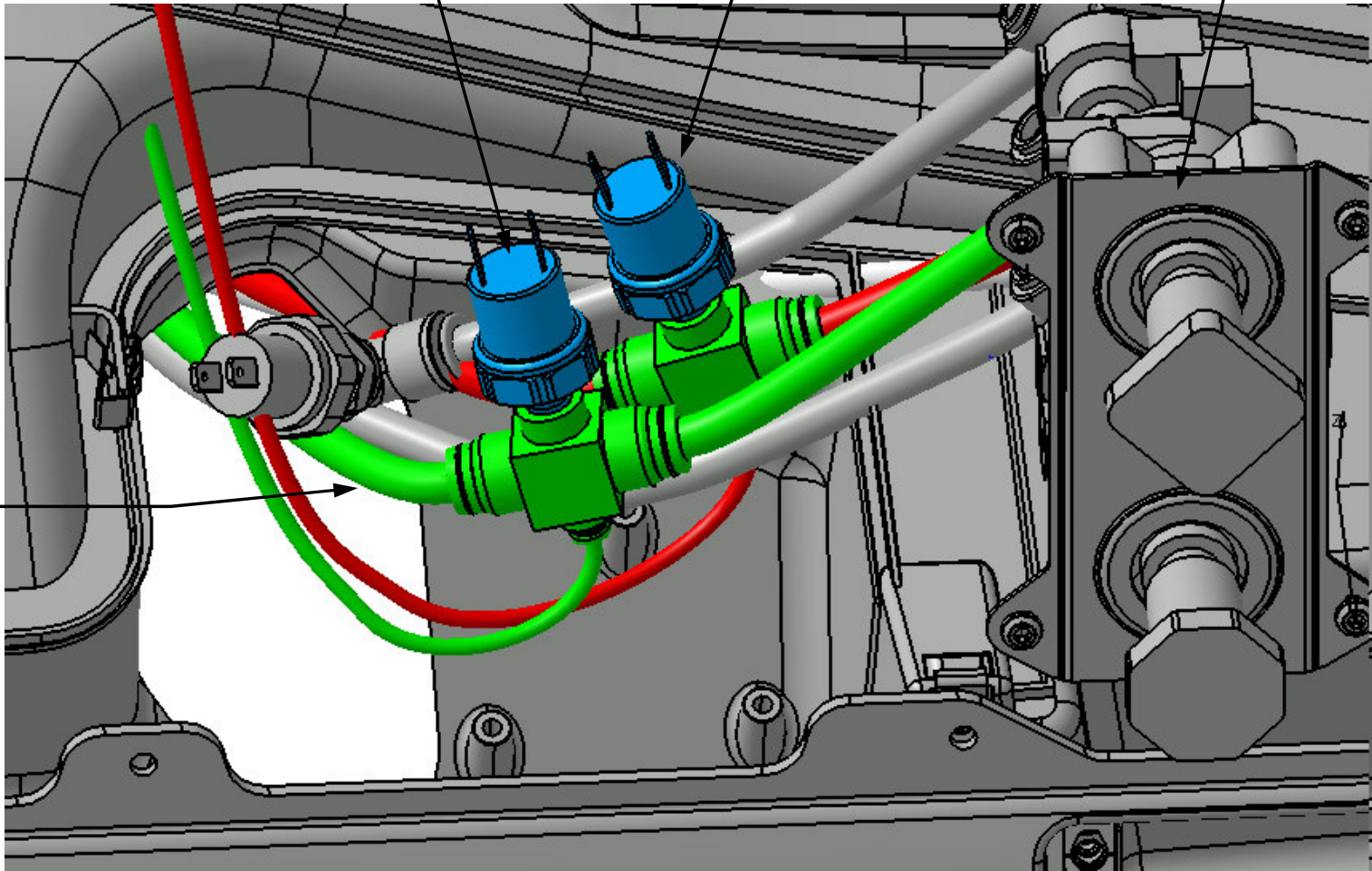
RELEASE NUMBER	REV LTR	REVISION DESCRIPTION	BY	DATE	APPD
P39577-03	-	INITIAL RELEASE	ADC	07/07/10	JCG
GG5451-03	A	ADD -008, 3 STOP SWITCHES	NRC	03/10/14	JCG
P49381-01	B	ADD -009, 2 PARK SWITCHES	RDL	07/15/15	JCG

ITEM NUMBER	D12-24739-009			Daimler Trucks North America	
DESCRIPTION	INSTL-M2 OPTIONAL PARK 2 SW			<small>THE INFORMATION CONTAINED HEREIN IS PROPRIETARY DATA, AND IS NOT FOR DISSEMINATION OR DISCLOSURE, IN WHOLE OR IN PART, FOR ANY PURPOSE OTHER THAN THAT FOR WHICH IT IS SUBMITTED, EXCEPT AS AUTHORIZED IN WRITING BY DAIMLER TRUCKS NORTH AMERICA LLC (DTNA)</small>	
ITEM NUMBER	D12-24739-008	MATERIAL APPROVAL	N/A	<small>UNLESS OTHERWISE NOTED, DIMENSIONS AND TOLERANCES ARE DEFINED ACCORDING TO ASME Y14.5M-1994, WITH EXCEPTION PER DTNA 09ENG-WI037</small>	<small>UNITS OF MEASURE</small> MM
DESCRIPTION	INSTL-M2 3 STOP	DATE	N/A		
ITEM NUMBER	D12-24739-007	DRAWN BY	A.CARLSON	<small>THIRD ANGLE PROJECTION</small> 	
DESCRIPTION	INSTL-M2 2 STOP	DATE	07/07/10		
ITEM NUMBER	D12-24739-006	CHECKED BY	D.CHAN		
DESCRIPTION	INSTL-M2 WORK BRAKE, APP, 2 STP	RESPONSIBLE ENGINEER	A.CARLSON		
ITEM NUMBER	D12-24739-005	APPROVED BY	J.GROSHONG		
DESCRIPTION	INSTL-M2 WORK BRAKE, APP, 1 STP	DATE	07/07/10		
ITEM NUMBER	D12-24739-004	DESCRIPTION			
DESCRIPTION	INSTL-M2 WORK BRAKE APP SWITCH	INSTL - M2 PRESSURE SWITCHES			
ITEM NUMBER	D12-24739-003	SUPPLEMENTAL DESCRIPTION			
DESCRIPTION	INSTL-M2 STD STOP	486A1			
ITEM NUMBER	D12-24739-002	ITEM/DRAWING NUMBER			
DESCRIPTION	INSTL-M2 OPTIONAL PARK	D12-24739			
ITEM NUMBER	D12-24739-001	REVISION LETTER			
DESCRIPTION	INSTL-M2 STD PARK	B			
ITEM NUMBER	D12-24739-000	PAGE			
DESCRIPTION	INSTL-M2 LOW AIR	1 of 11			

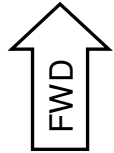
486  
PLP

486  
SLP

PARK BRAKE  
VALVE  
REF MOD 882



PNEUMATIC  
HARNESS  
REF MOD 880

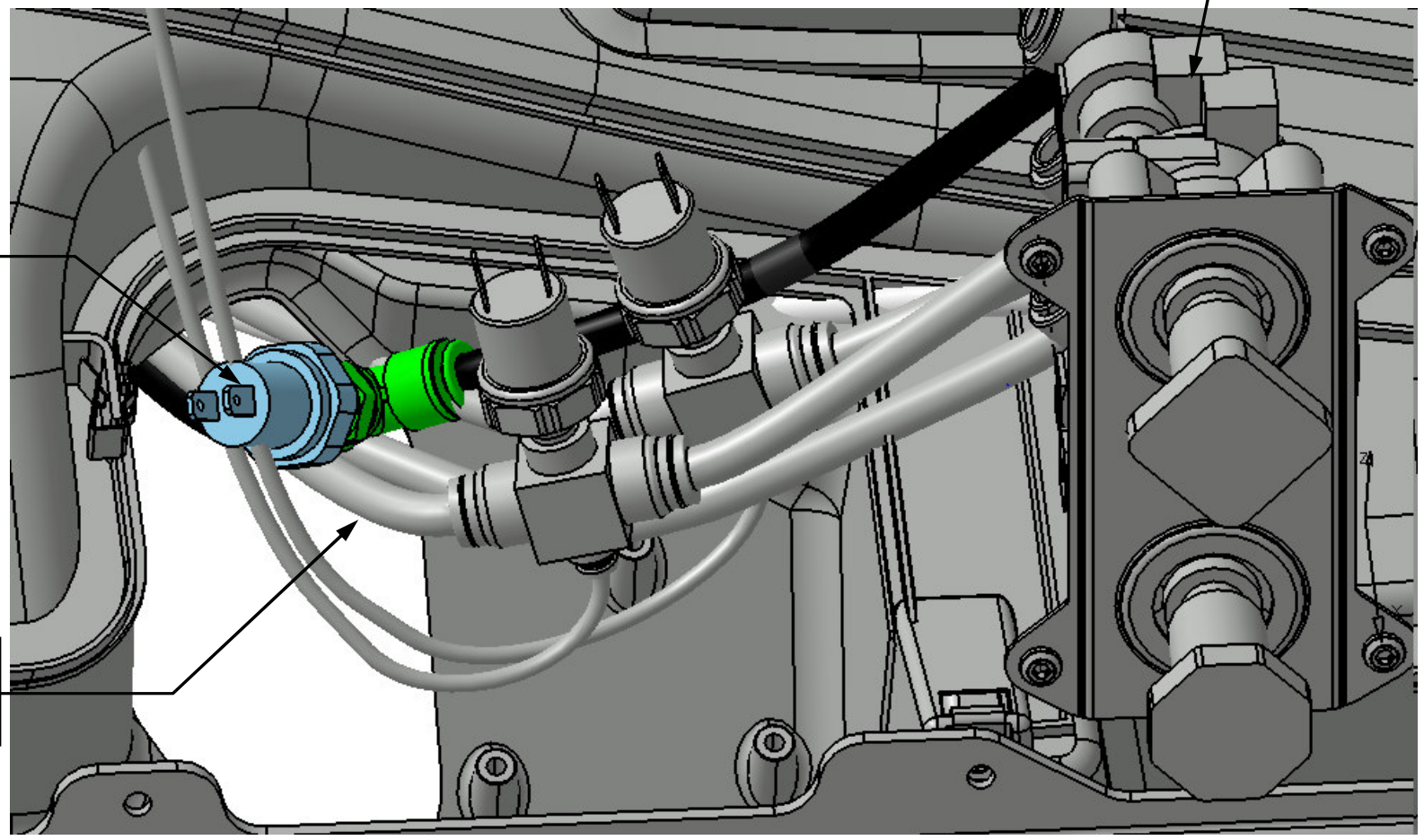


-000  
LOW AIR SWITCHES

PARK BRAKE  
VALVE  
REF MOD 882

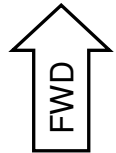
486  
PRK

PNEUMATIC  
HARNESS  
REF MOD 880



-001

STANDARD PARK SWITCH LOCATION

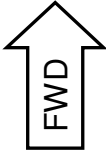


PARK BRAKE  
VALVE  
REF MOD 882

PNEUMATIC  
HARNESS  
REF MOD 880

486  
SCW  
WSH

486  
SCW  
WSH



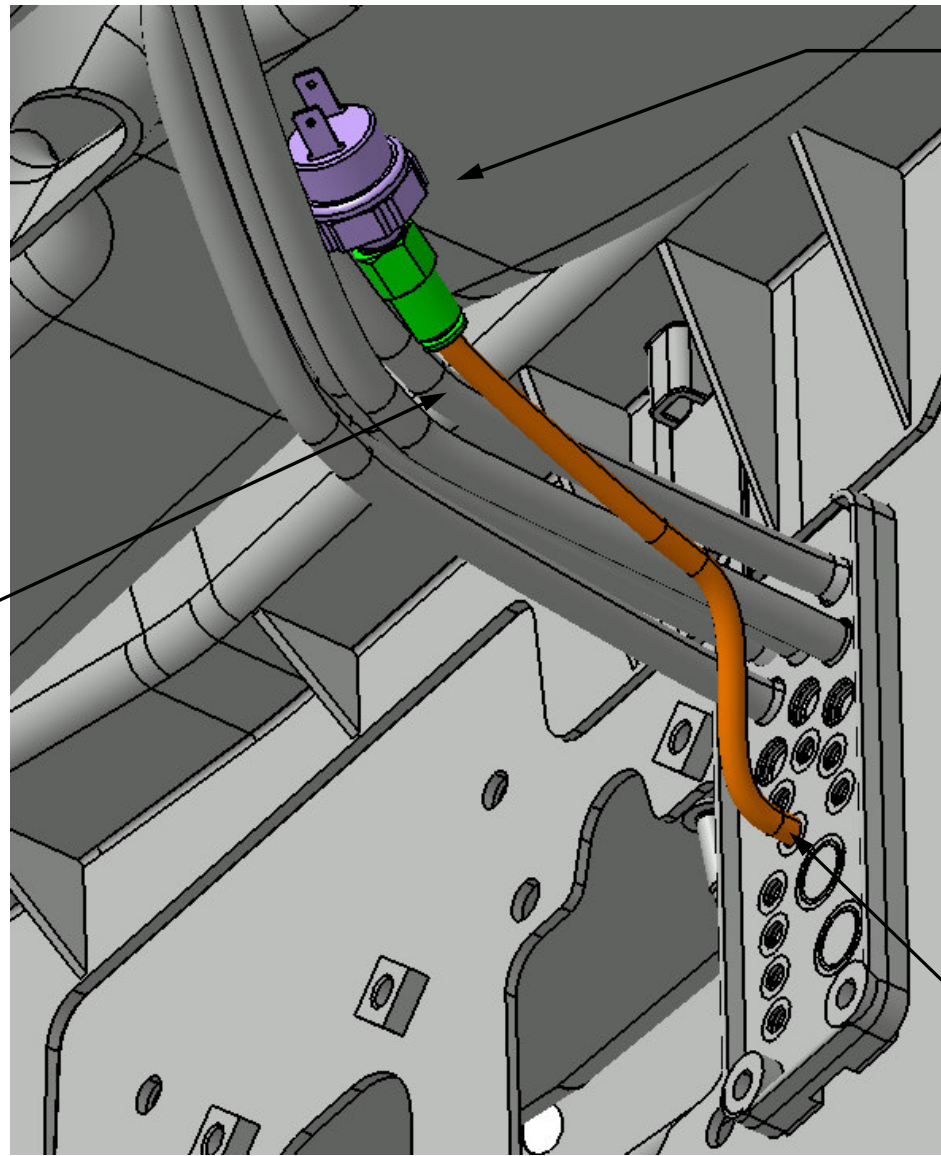
486  
TUB

486  
PMN

2 SWITCH OPTION SHOWN.  
COULD BE OF ANOTHER VARIETY

-002

OPTIONAL PARK SWITCH LOCATION



486  
STP

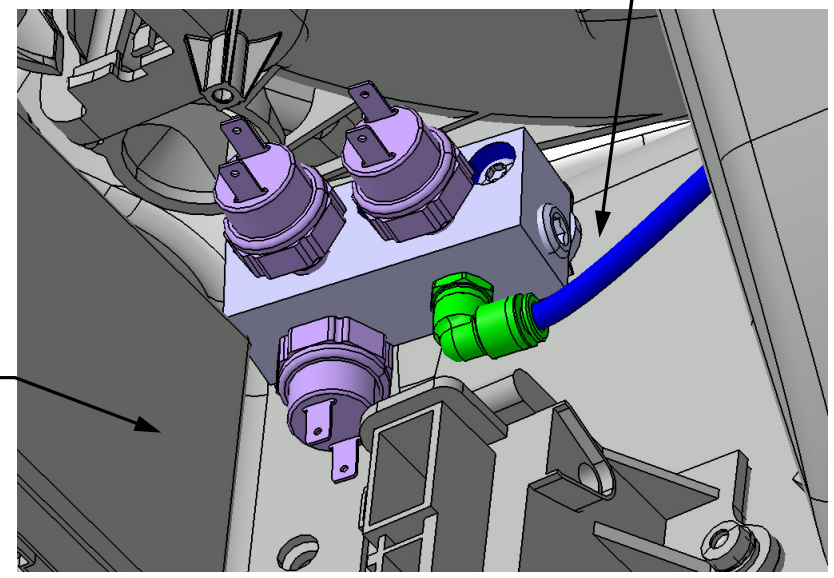
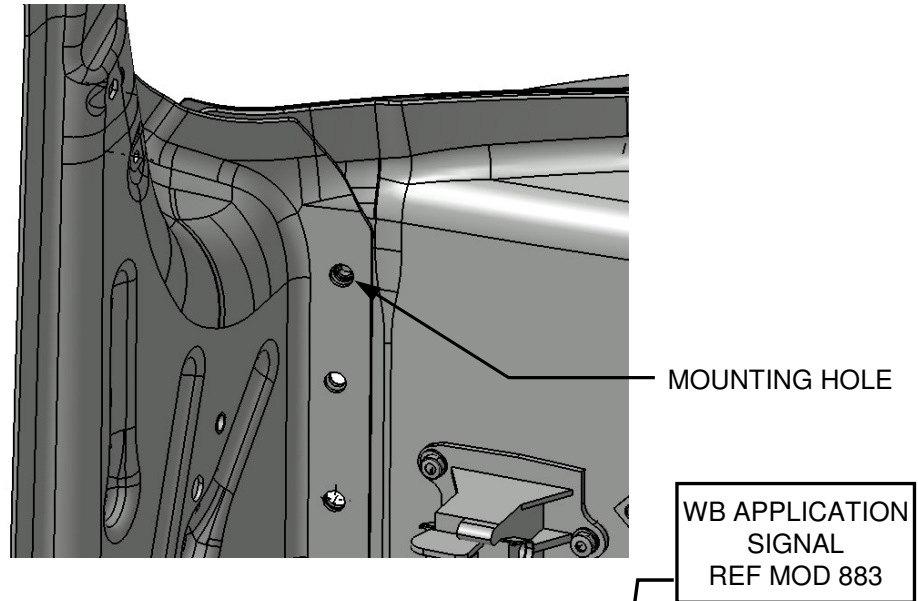
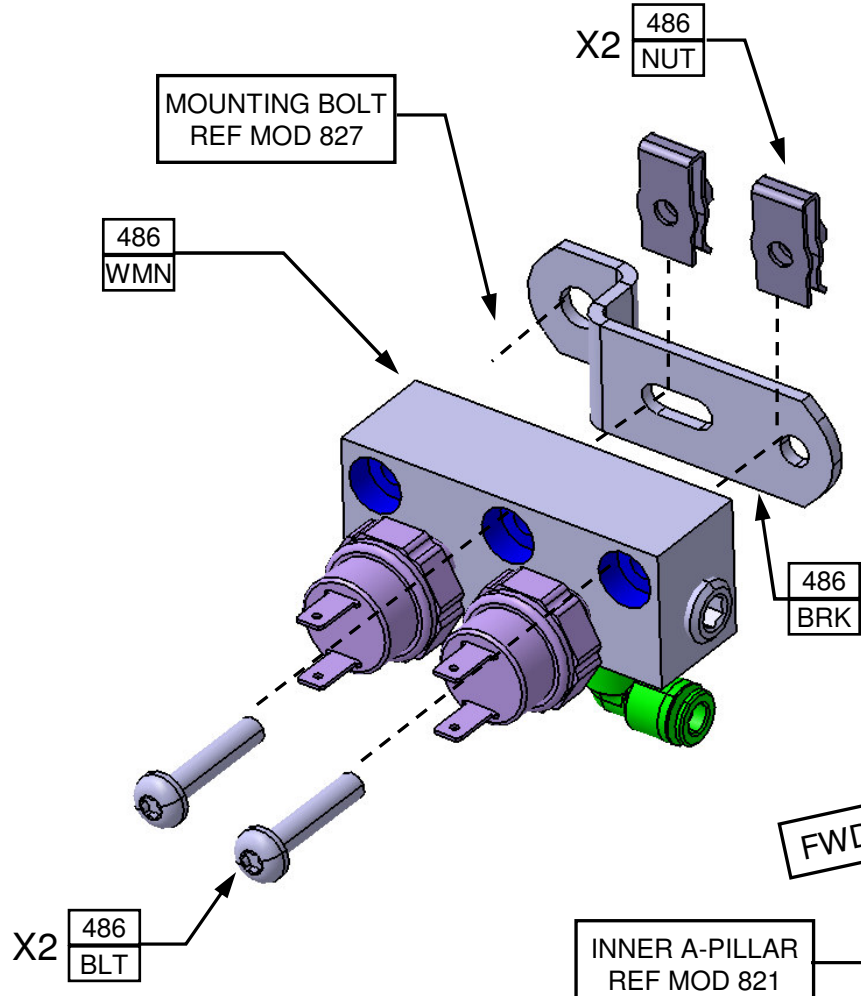
STANDARD  
STOP  
SWITCH

ZIP TIE TO MAIN BUNDLE

FWD

PNEUMATIC  
HARNESS  
REF MOD 880

-003  
STANDARD STOP SWITCH LOCATION



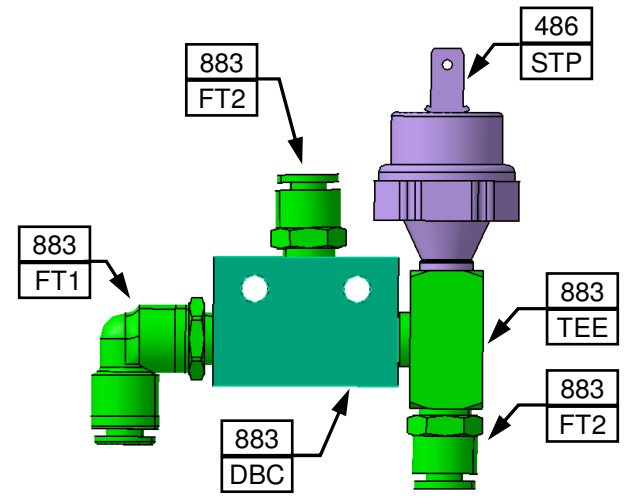
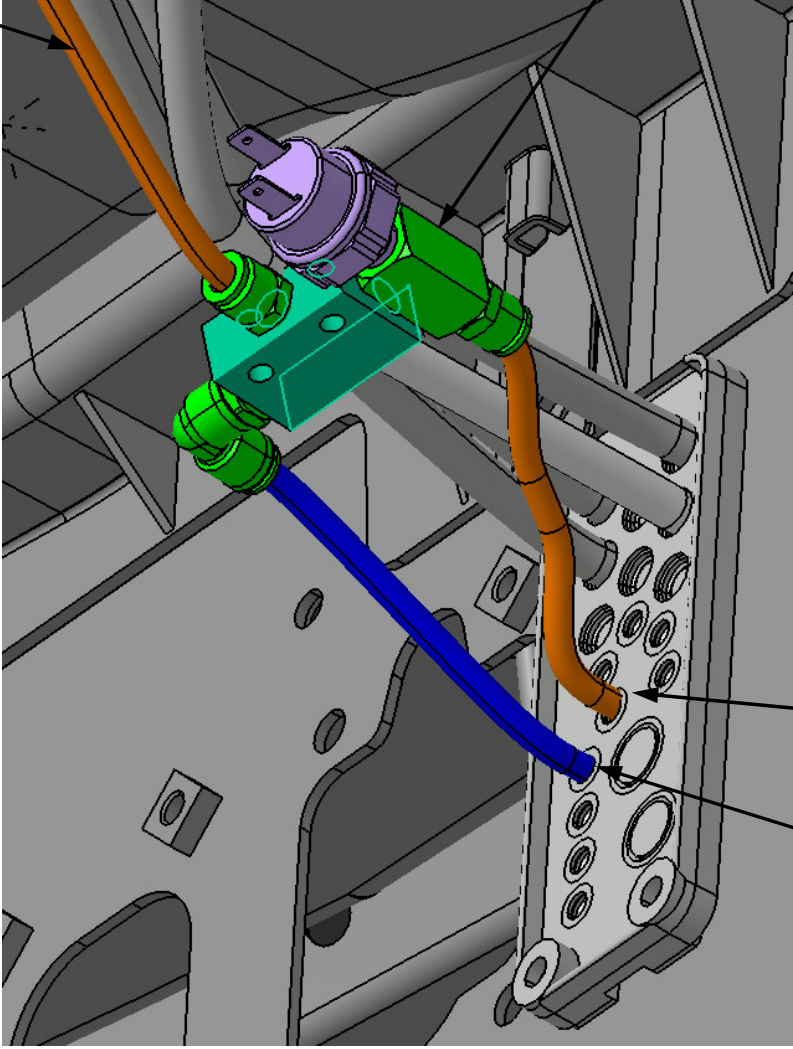
-004

WORK BRAKE APP SWITCH LOCATION

APPLICATION AIR TO GAUGE

ZIP TIE TO MAIN BUNDLE

838  
403



880  
403

SERVICE APPLICATION AIR

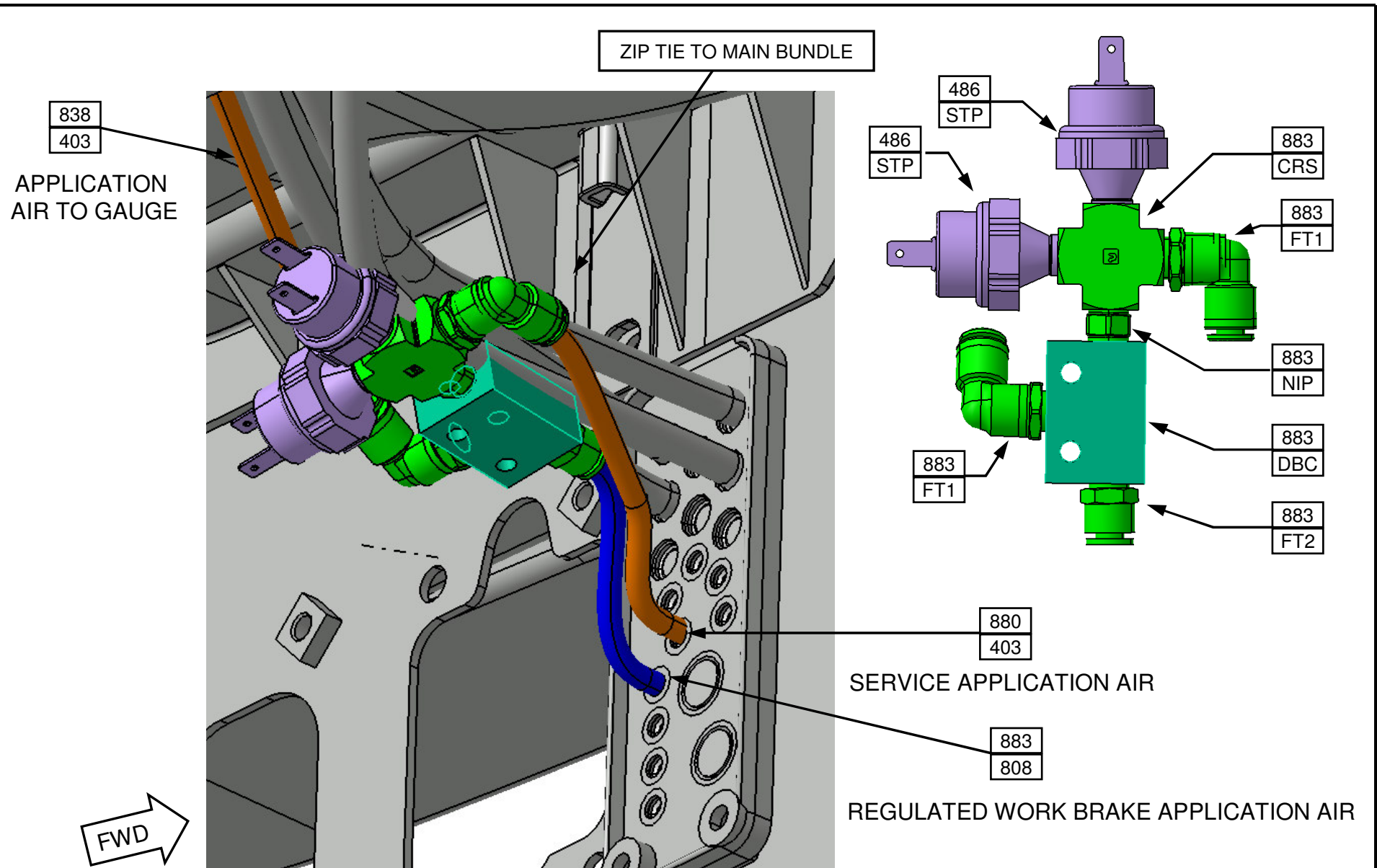
883  
808

REGULATED WORK BRAKE APPLICATION AIR

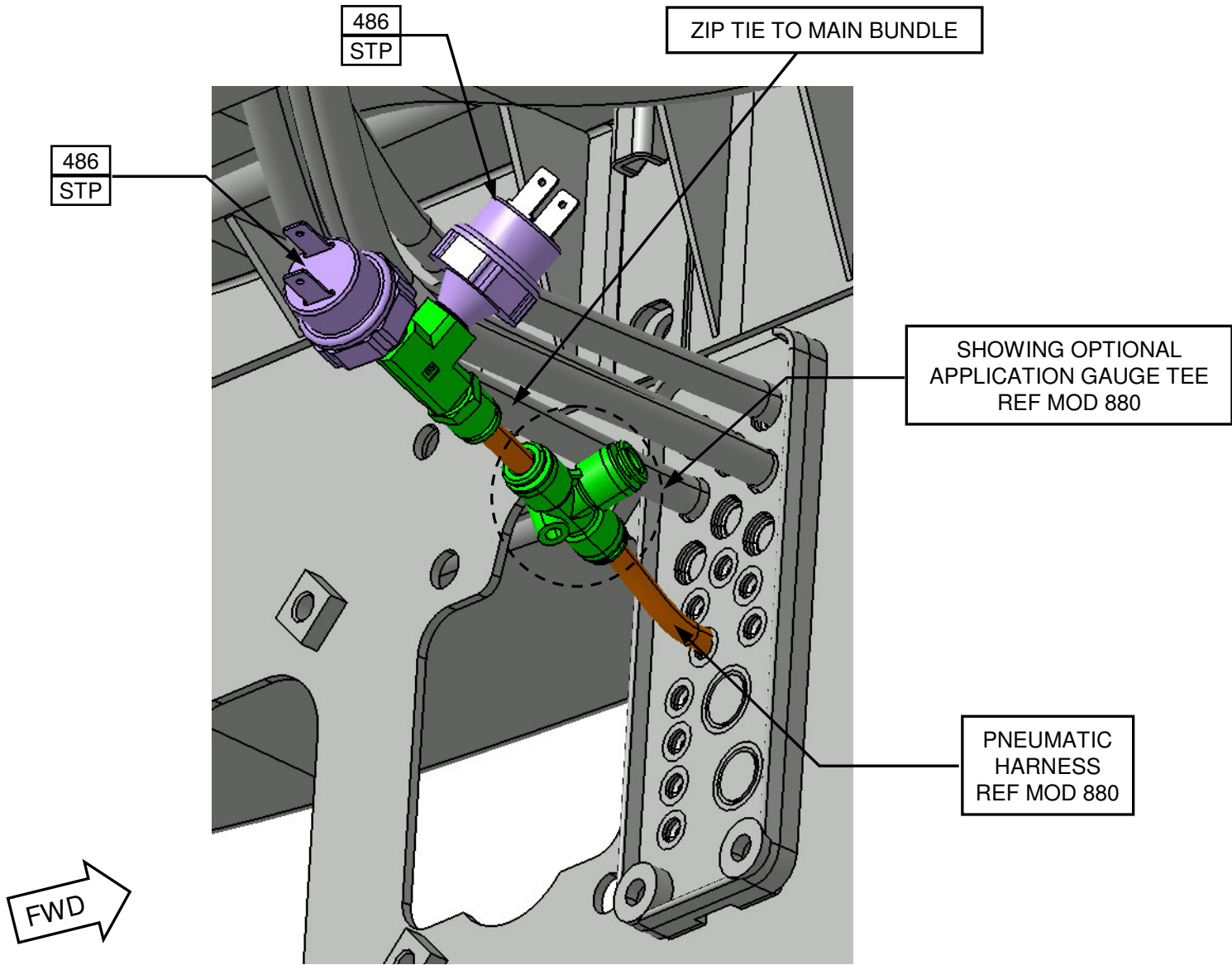


-005

SINGLE STOP LIGHT, WORK BRAKE WITH APPLICATION GAUGE

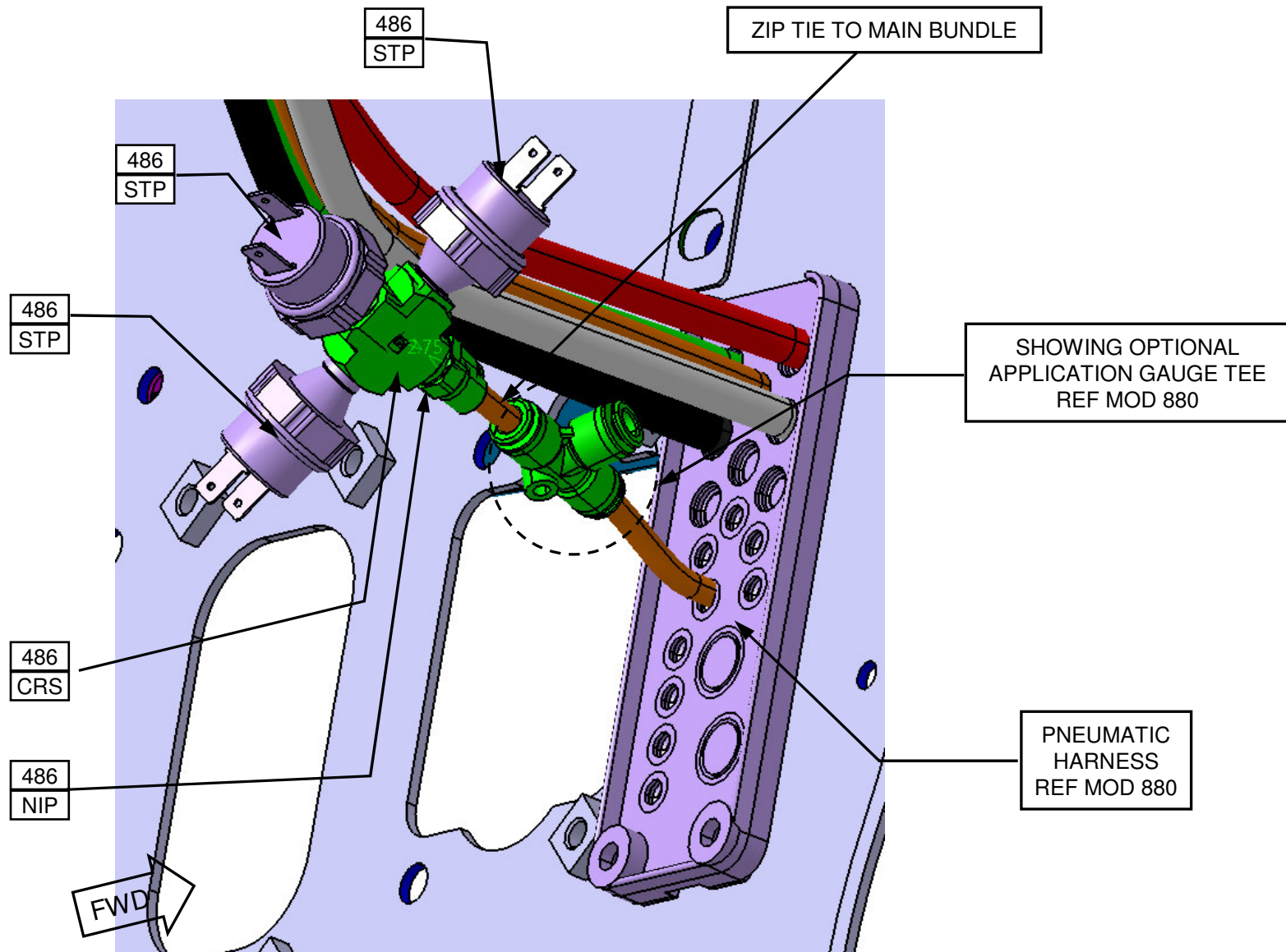


2 STOP LIGHT, WORK BRAKE WITH APPLICATION GAUGE



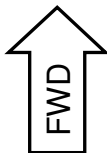
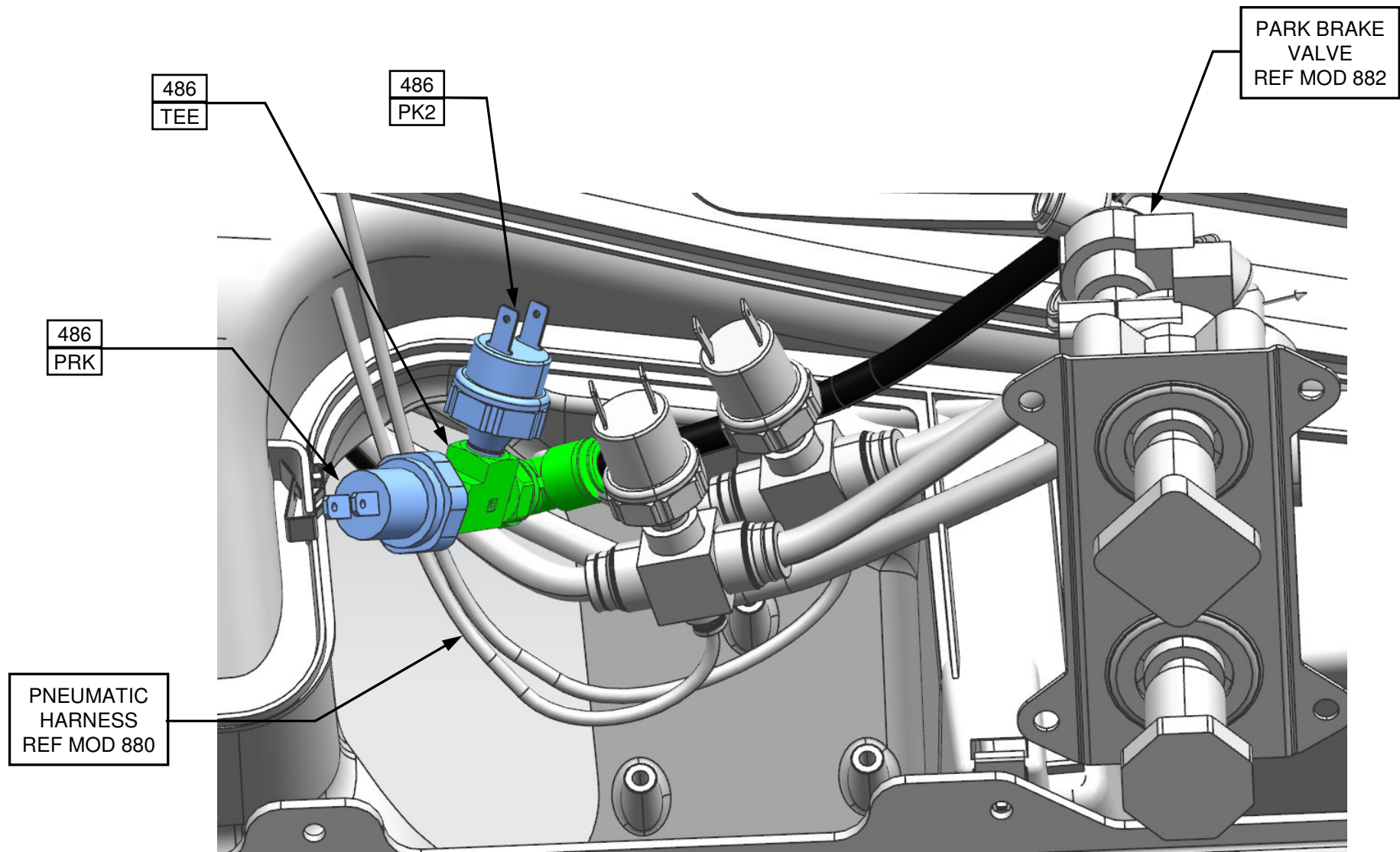
-007

OPTIONAL STOP SWITCH



-008

OPTIONAL STOP SWITCHES



-009

ONE STANDARD PARK, ONE OPTIONAL PARK