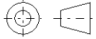
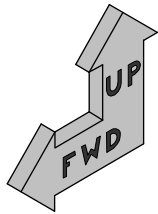


RELEASE NUMBER	REV LTR	REVISION DESCRIPTION	BY	DATE	APPD
P38243-01	-	INITIAL RELEASE	TAF	03/08/10	JBM
P41487-52	A	DELETE '2X' FROM ITEM 001,SHEET 3 AND 5	PES	01/24/11	SCB

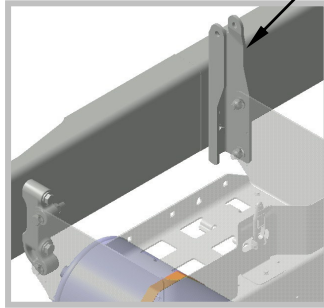
DELIVERY MUST CONFORM EXACTLY WITH DRAWING SPECIFICATIONS AND, WHERE REQUIRED BY Q.A., WITH APPROVED Q.A. SAMPLES. ABSOLUTELY NO CHANGES ARE PERMITTED WITHOUT PRIOR APPROVAL BY DTNA. THIS INCLUDES CHANGES TO: SOFTWARE, MATERIALS, INTERNAL COMPONENTS, MANUFACTURING PROCESSES.

1. TORQUE 23-26 LB/FT.
2. AIR TANK CLAMPS ITEM 1 ARE CENTERED ON BATTERY BOX TRAY SLOTS.
3. SOME PARTS OMITTED FOR CLARITY.
4. ALL DIMENSIONS ARE FOR REFERENCE ONLY UNLESS OTHERWISE TOLERANCED.

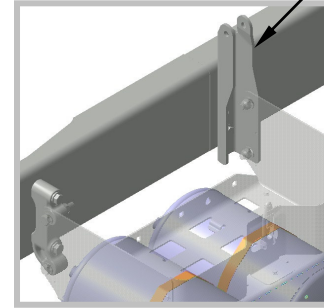
ITEM NUMBER D12-24482-000	DESCRIPTION 2010 AIR TANK INSTL DIAG UNDER BBOX	DAIMLER		Daimler Trucks North America	
		THE INFORMATION CONTAINED HEREIN IS PROPRIETARY DATA, AND IS NOT FOR DISSEMINATION OR DISCLOSURE, IN WHOLE OR IN PART, FOR ANY PURPOSE OTHER THAN THAT FOR WHICH IT IS SUBMITTED, EXCEPT AS AUTHORIZED IN WRITING BY DAIMLER TRUCKS NORTH AMERICA LLC (DTNA)			
		MATERIAL APPROVAL B.MOHR	DATE 03/08/10	UNLESS OTHERWISE NOTED, DIMENSIONS AND TOLERANCES ARE DEFINED ACCORDING TO ASME Y14.5M-1994, WITH EXCEPTION PER DTNA 09ENG-WI037	
		DRAWN BY T.FERRETT	DATE 03/08/10		
		CHECKED BY B.MOHR	DATE 03/08/10	THIRD ANGLE PROJECTION 	
		RESPONSIBLE ENGINEER C.CONNORS	DATE 03/08/10		
APPROVED BY B.MOHR	DATE 03/08/10	UNITS OF MEASURE MM			
DESCRIPTION 2010 AIR TANK INSTL DIAG UNDER BBOX					
SUPPLEMENTAL DESCRIPTION 46001					
ITEM/DRAWING NUMBER D12-24482			REVISION LETTER A		PAGE 1 of 6



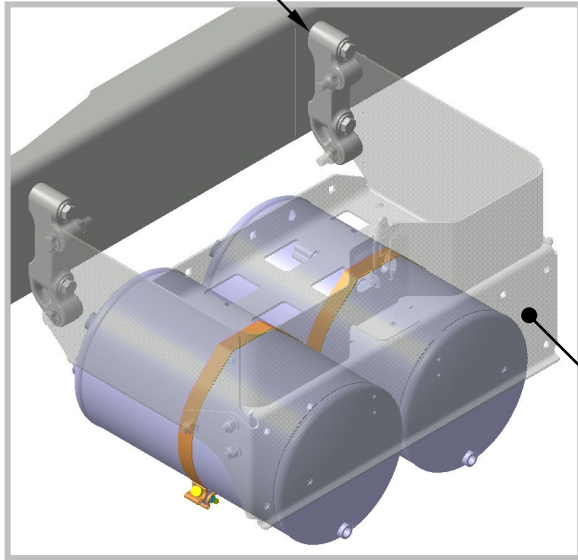
BBOX
MTG BRKT
MOD 282



BBOX
MTG BRKT
MOD 282

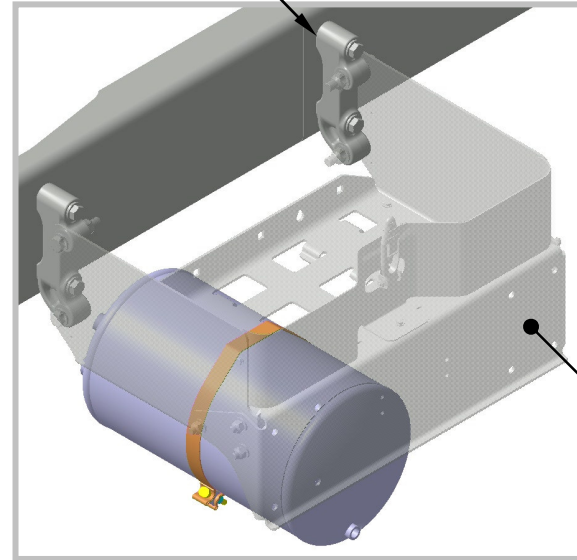


BBOX
MTG BRKT
MOD 282



BBOX
MOD 290

BBOX
MTG BRKT
MOD 282



BBOX
MOD 290

ISO VIEW -000 SHOWN

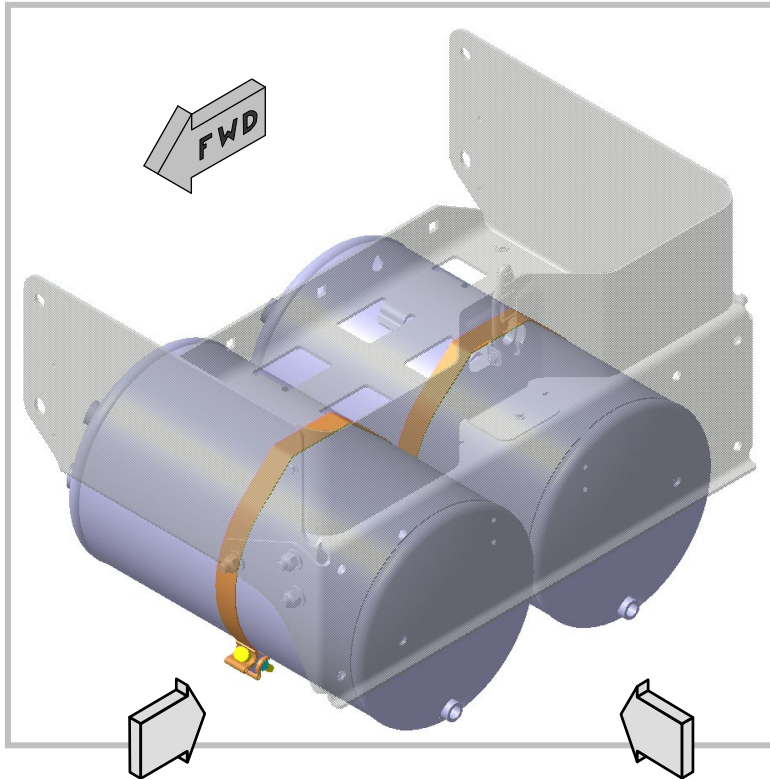
2010 AIR TANK INSTL
ENGINEERING USE ONLY

ISO VIEW -001 SHOWN

2010 AIR TANK INSTL
ENGINEERING USE ONLY

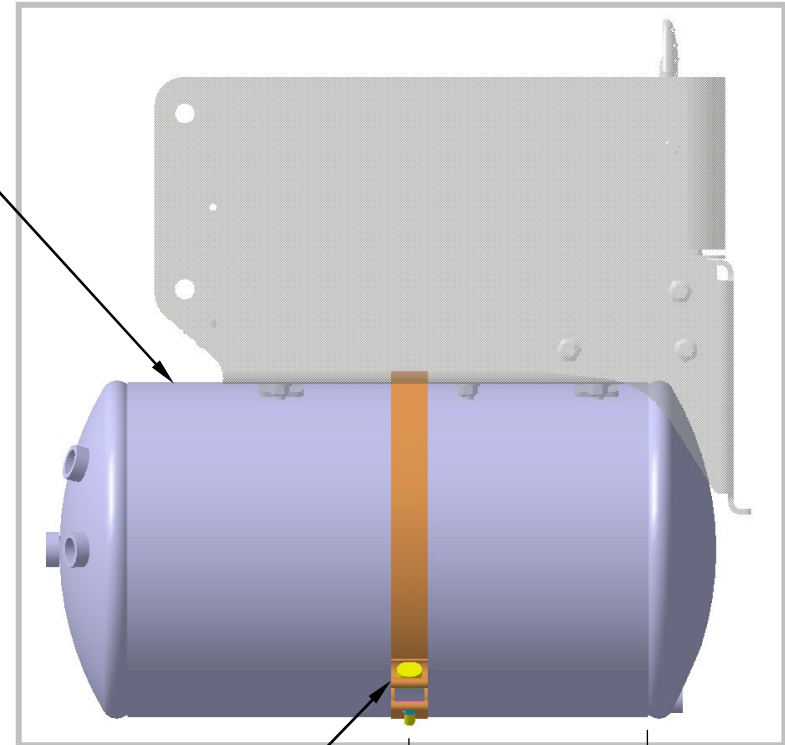
AIR TANK INSTL

2 TANK CONFIGURATION -000 SHOWN



VIEW A

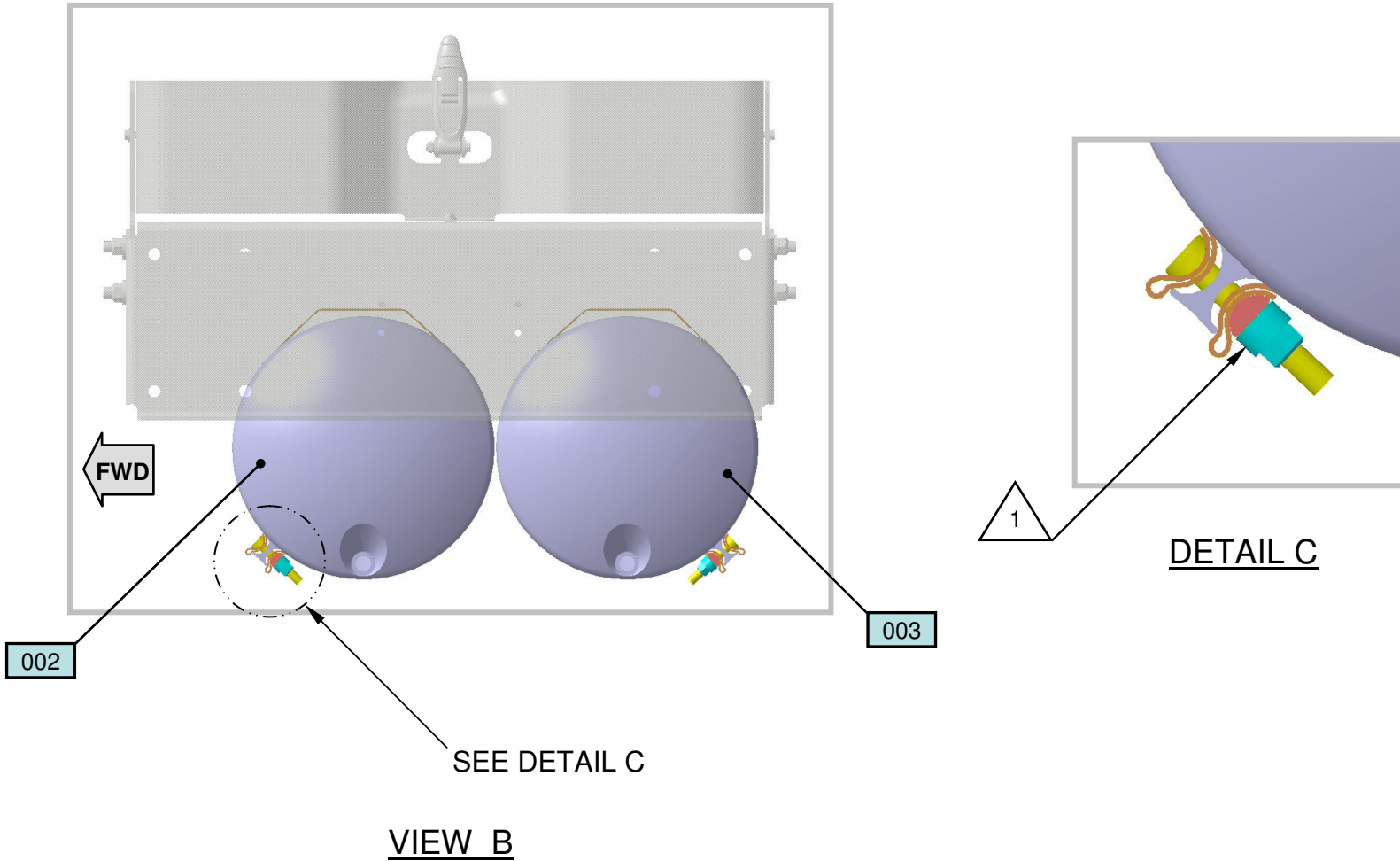
VIEW B



VIEW A

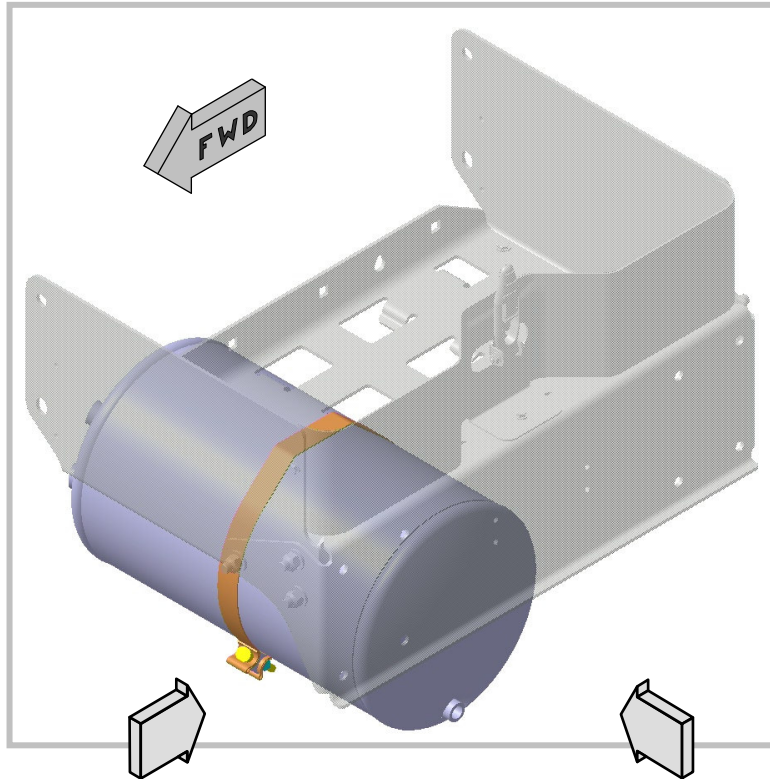
AIR TANK INSTL

2 TANK CONFIGURATION -000 SHOWN



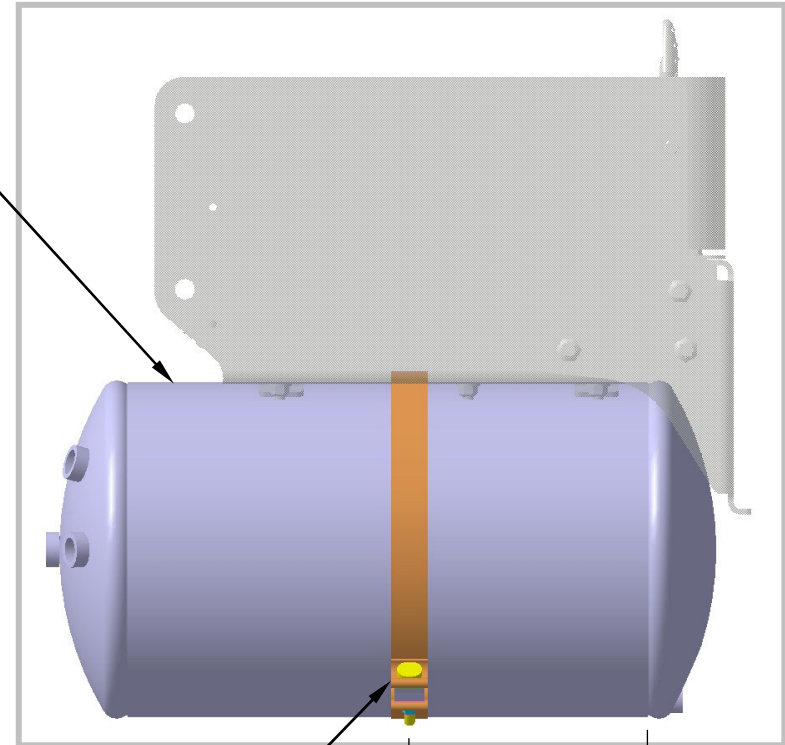
AIR TANK INSTL

1 TANK CONFIGURATION -001 SHOWN



VIEW D

VIEW E



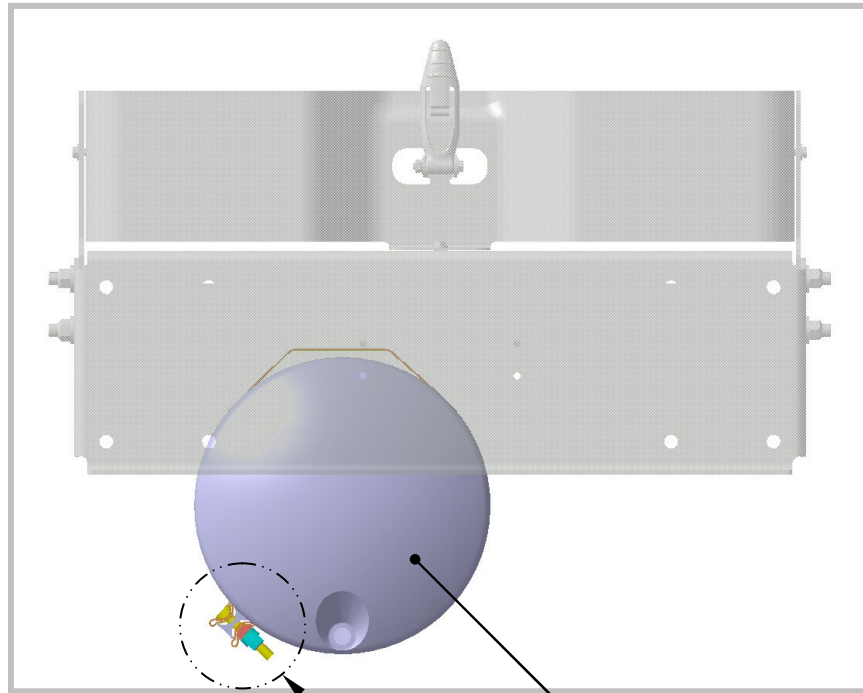
001
A

203.7 +/- 3.0

VIEW D

AIR TANK INSTL

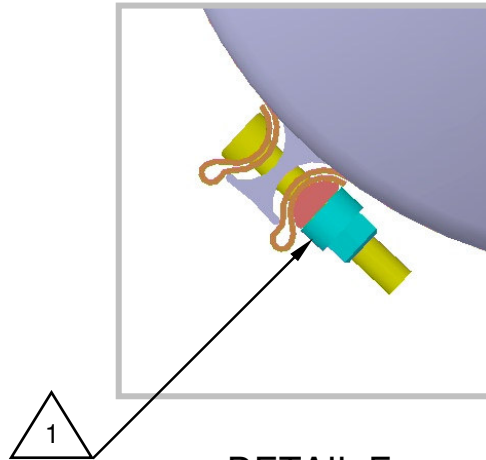
1 TANK CONFIGURATION -001 SHOWN



002

SEE DETAIL F

VIEW E



DETAIL F