

RELEASE NUMBER	REV LTR	REVISION DESCRIPTION	BY	DATE	APPD
P25821-01	B	PREVIOUS REVISIONS WERE PDX CATIA DRAWING. UPDATED VIEWS AND 3D GEOMETRY. CHANGED NOTE FOR ANCHOR COUPLING FROM "TOP" LOCATION TO "BOTTOM".	CGS	02/01/07	R4H
PLIA03-87	C	ADDED REFERENCE TO ITEM "CPL" AND REMOVE REFERENCE TO ITEM "FTG" TO PAGE 4	A6R	06/08/17	R4H



1 BRAKE CHAMBER SUPPLIER HAS ALREADY INSTALLED FITTING. DO NOT REPOSITION FITTING.



2 USE BOTTOM HOLE FOR MOUNTING BRAKE ANCHOR COUPLING UNLESS OTHERWISE NOTED.

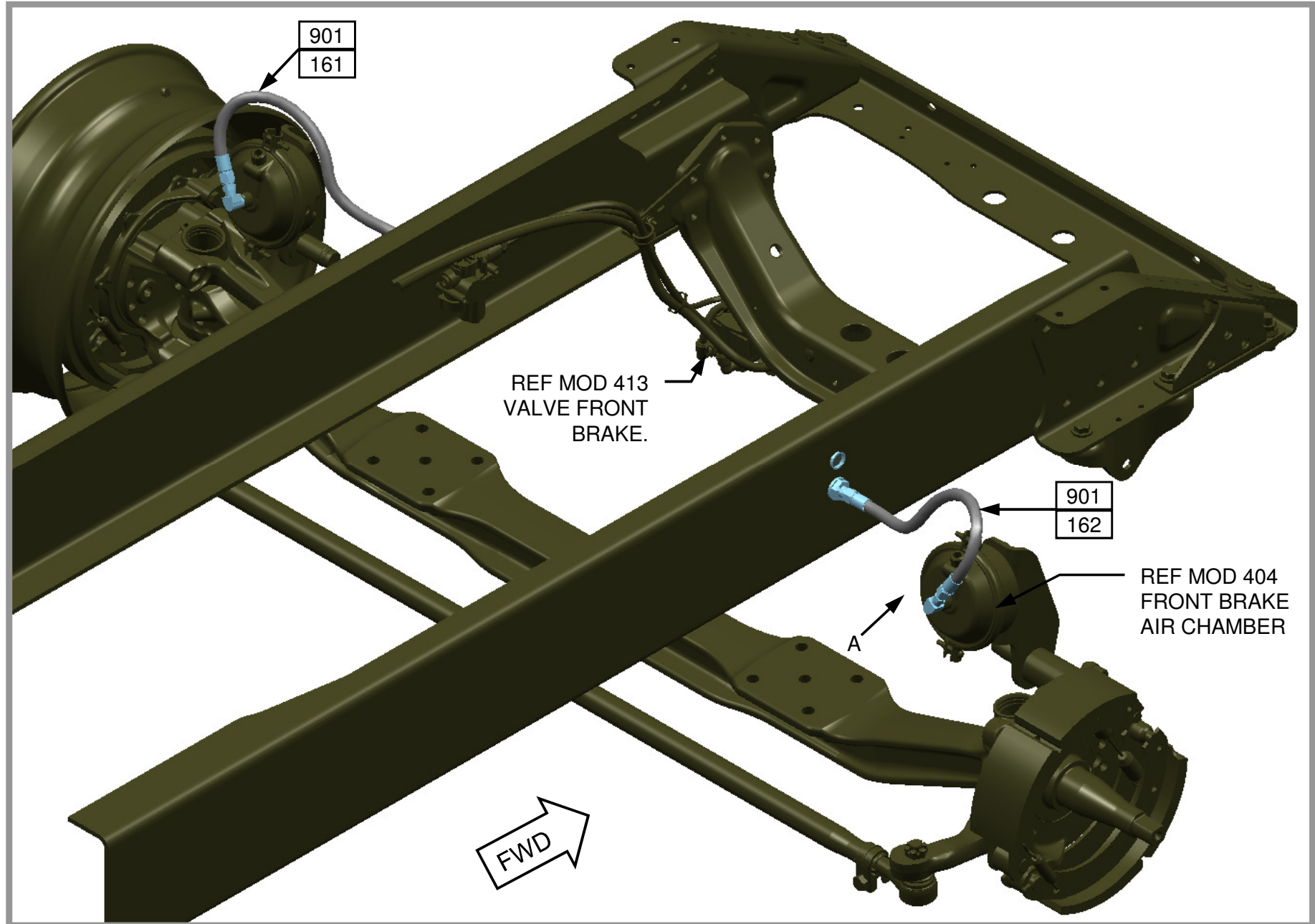


3 CLOCK ANCHOR COUPLING AS SHOWN 1C

	<b>D12-19616-001</b>	<b>D12-19616-000</b>	<b>FREIGHTLINER<sup>®</sup></b> <b>LLC</b>					
	ITEM NUMBER	DESCRIPTION FRONT BRK CHAMBER ROUTING, COMBO VLV	ITEM NUMBER	DESCRIPTION FRONT BRAKE CHAMBER ROUTING, M2/MX	THE INFORMATION CONTAINED HEREIN IS PROPRIETARY DATA, AND IS NOT FOR DISSEMINATION OR DISCLOSURE, IN WHOLE OR IN PART, FOR ANY PURPOSE OTHER THAN THAT FOR WHICH IT IS SUBMITTED, EXCEPT AS AUTHORIZED IN WRITING BY FREIGHTLINER LLC.			
					MATERIAL APPROVAL <b>R.HILLER</b>	DATE <b>02/01/07</b>	MFG ENG/PURCH AGENT <b>B.BAER</b>	DATE <b>02/05/07</b>
					DRAWN BY <b>C.STONE</b>	DATE <b>02/01/07</b>	CHECKED BY <b>N.CHODERIS</b>	DATE <b>02/19/07</b>
					RESPONSIBLE ENGINEER <b>B.VAN ORSOW</b>	DATE <b>02/01/07</b>	APPROVED BY <b>R.HILLER</b>	DATE <b>02/01/07</b>
					DESCRIPTION <b>INSTL-FRONT BRAKE CHAMBER ROUTING</b>			
					SUPPLEMENTAL DESCRIPTION <b>901A1</b>			
					ITEM/DRAWING NUMBER <b>D12-19616</b>	REVISION LETTER <b>C</b>	PAGE <b>1</b>	

D12-19616-000  
FRONT BRAKE CHAMBER ROUTING, M2/MX, IN-RAIL VALVE.

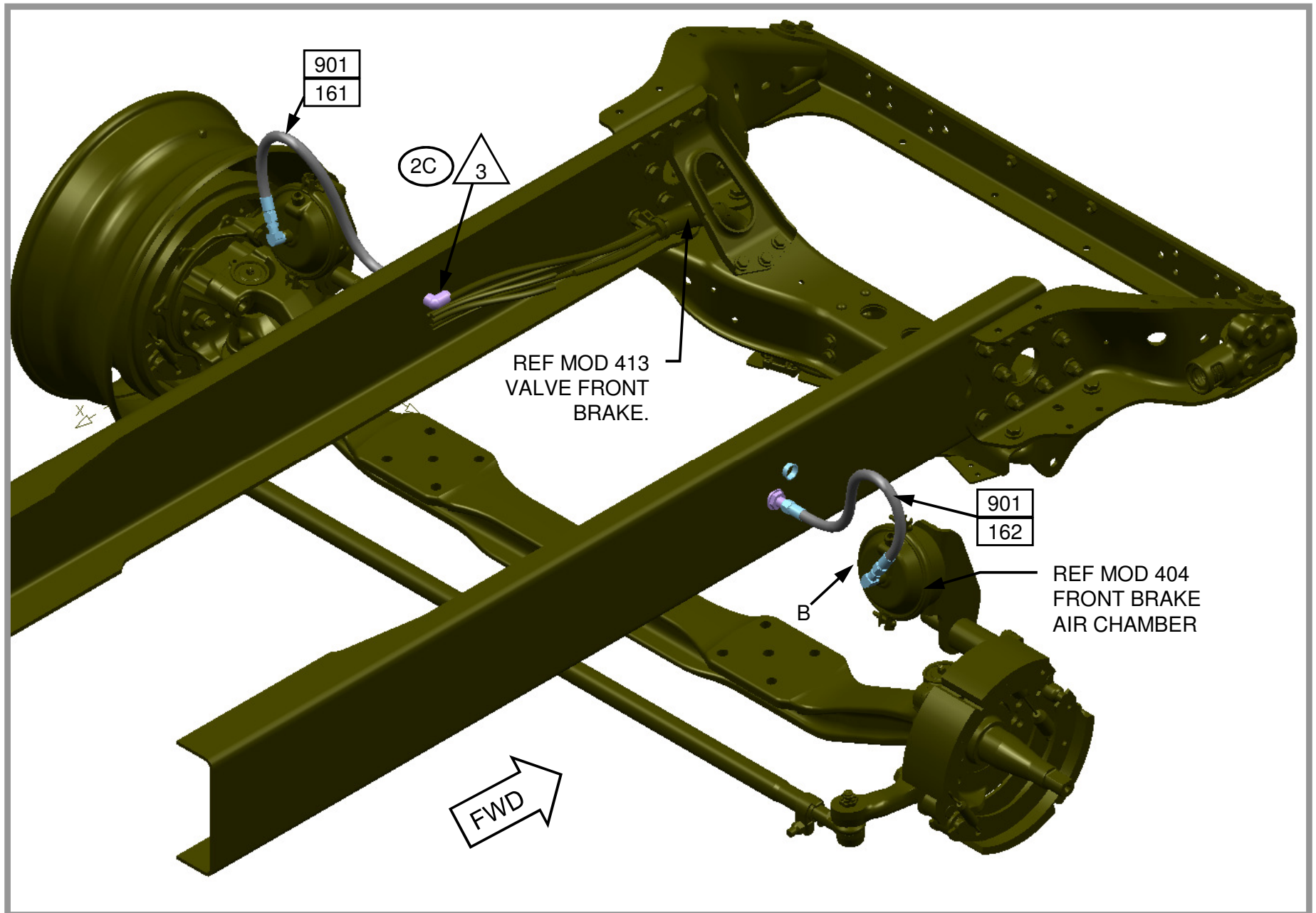
M2 106BBC SHOWN.



ITEM/DRAWING NUMBER	REVISION LETTER	PAGE
D12-19616	C	2

D12-19616-001  
FRONT BRAKE CHAMBER ROUTING, COMBO VALVE.

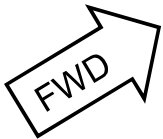
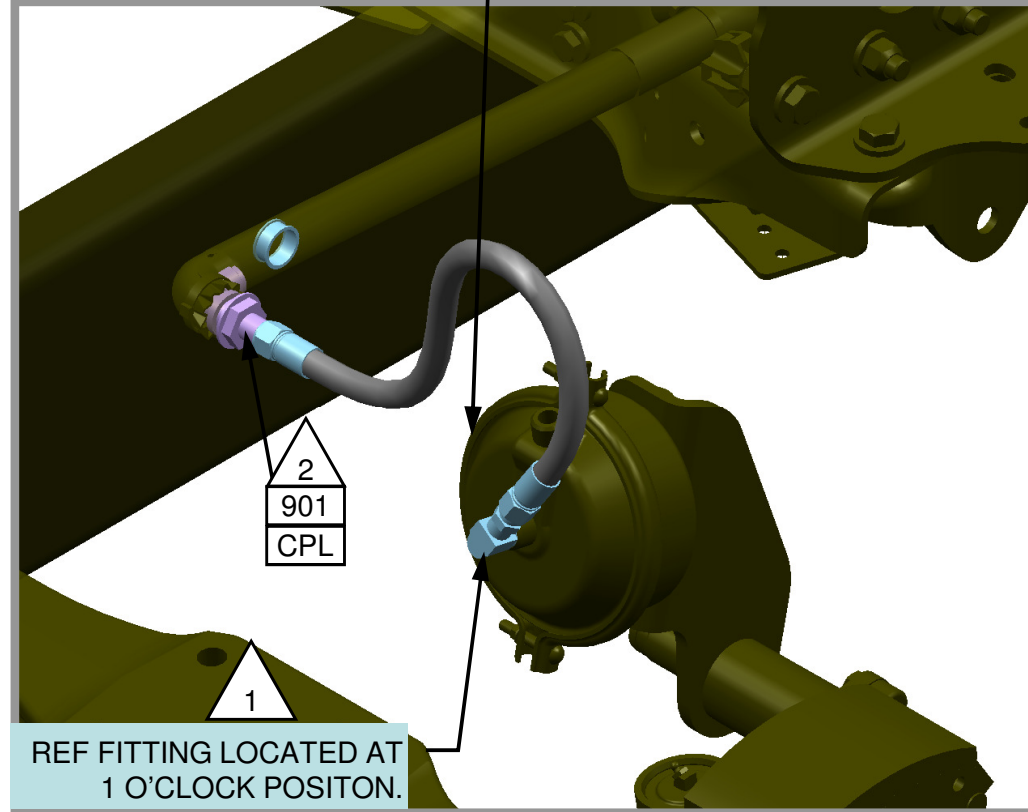
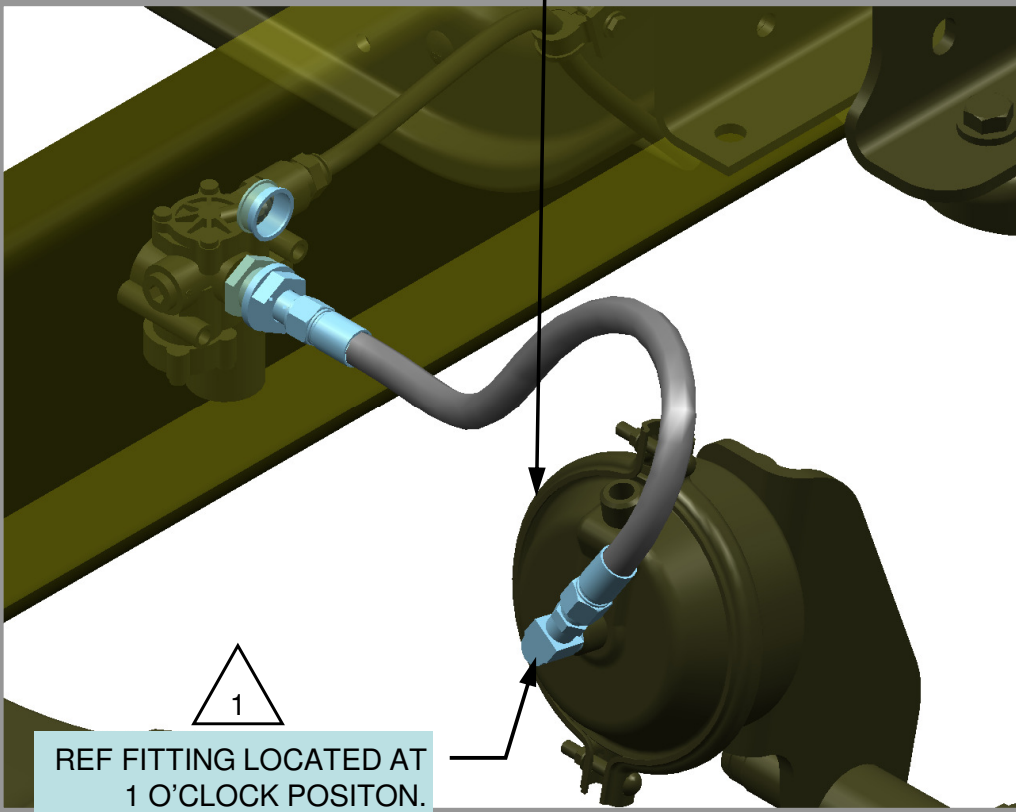
P3 SHOWN.



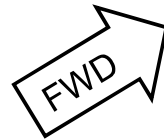
ITEM/DRAWING NUMBER	REVISION LETTER	PAGE
D12-19616	C	3

REF MOD 404  
FRONT BRAKE AIR CHAMBER.  
RH CHAMBER SHOWN.  
LH SYM OPPOSITE.

REF MOD 404  
FRONT BRAKE AIR CHAMBER.  
RH CHAMBER SHOWN.  
LH SYM OPPOSITE.



VIEW A (-000)  
FRONT BRAKE CHAMBER FITTING  
AND ANCHOR COUPLING DETAIL.



VIEW B (-001)  
FRONT BRAKE CHAMBER FITTING  
AND ANCHOR COUPLING DETAIL.

D

ITEM/DRAWING NUMBER	REVISION LETTER	PAGE
D12-19616	C	4