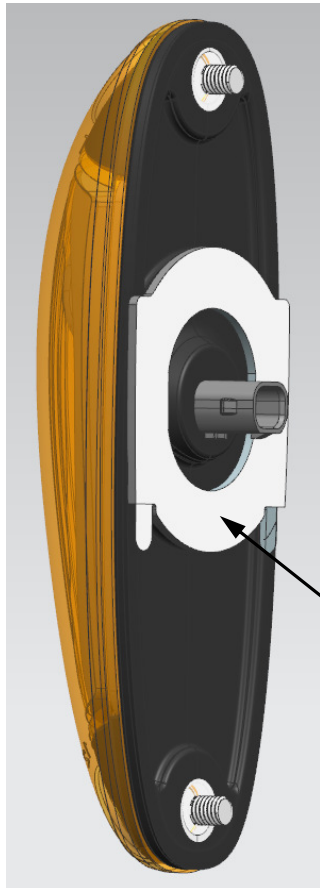


| RELEASE NUMBER | REV LTR | REVISION DESCRIPTION | BY | DATE | APPD |
|----------------|---------|--|-----|----------|------|
| P53687-02 | - | INITIAL RELEASE | TPG | 07/19/16 | DJJ |
| P13CAB-39 | A | ADDED SET LOAD TO NOTE 2. ADDED NOTE 5. | TAM | 12/15/17 | JR2 |
| | | | | | |
| | | | | | |

1. BACK DRILL $\varnothing 29.0 \pm 1.0$ HOLE FROM PILOT THRU ALL SKINS PRIOR TO MARKER LAMP INSTALLATION. (AS REQUIRED)
2. INSERT NUTSERTS AND SET TO A LOAD OF $11.1 \text{ KN} \pm 1.1 \text{ KN}$. DO NOT DRILL HOLES. PRECISION HOLES TO FIT THE NUTSERT COME FROM SUPPLIER. PROTECT FROM CONTAMINATION.
3. REMOVE PAPER FROM GASKET TO EXPOSE ADHESIVE. VISUALLY ALIGN LAMP AND FASTENERS THEN PRESS FIRMLY TO SECURE ADHESIVE FROM LAMP GASKET TO MOUNTING SURFACE BEFORE TIGHTENING FASTENERS.
4. ENGAGE TOP AND BOTTOM SCREWS AND WASHERS LOOSELY BEFORE FINAL TORQUE. LAMP SHOULD NOT BE ROTATED INTO POSITION AFTER ONE SCREW IS TORQUED. TORQUE SCREW NOMINALLY $3.5 \pm 0.5 \text{ N-M}$ ($31.0 \pm 4.4 \text{ IN-LBS}$).
5. SCREWS, WASHERS, AND SPACERS COME FROM THE SUPPLIER PRE-INSTALLED AS PART OF THE MARKER LIGHT ASSEMBLY AND ARE SHOWN FOR REFERENCE ONLY.

| | | | | |
|---|--|-----------------|---|------------------------|
| ITEM NUMBER D06-95406-000 DESCRIPTION INSTL-MARKER,LAMP,LED,ADHESIVE | DAIMLER | | Daimler Trucks North America | |
| | THE INFORMATION CONTAINED HEREIN IS PROPRIETARY DATA, AND IS NOT FOR DISSEMINATION OR DISCLOSURE, IN WHOLE OR IN PART, FOR ANY PURPOSE OTHER THAN THAT FOR WHICH IT IS SUBMITTED, EXCEPT AS AUTHORIZED IN WRITING BY DAIMLER TRUCKS NORTH AMERICA LLC (DTNA) | | | |
| | MATERIAL APPROVAL | DATE | UNLESS OTHERWISE NOTED, DIMENSIONS AND TOLERANCES ARE DEFINED ACCORDING TO ASME Y14.5M- 1994, WITH EXCEPTION PER DTNA 09ENG-WI037 | |
| | N/A | N/A | | |
| | DRAWN BY | DATE | | |
| | T.GASTON | 07/19/16 | | |
| | CHECKED BY | DATE | | |
| | T.GASTON | 07/19/16 | THIRD ANGLE PROJECTION | UNITS OF MEASURE MM |
| | RESPONSIBLE ENGINEER | DATE | | |
| | T.GASTON | 07/19/16 | | |
| APPROVED BY | DATE | | | |
| D.JOHNSTON | 07/19/16 | | | |
| INSTL-MARKER,LAMP,LED,ADHESIVE SUPPLEMENTAL DESCRIPTION | | | | |
| P3 | | | | |
| ITEM/DRAWING NUMBER | | REVISION LETTER | PAGE | |
| D06-95406 | | A | 1 of 2 | |

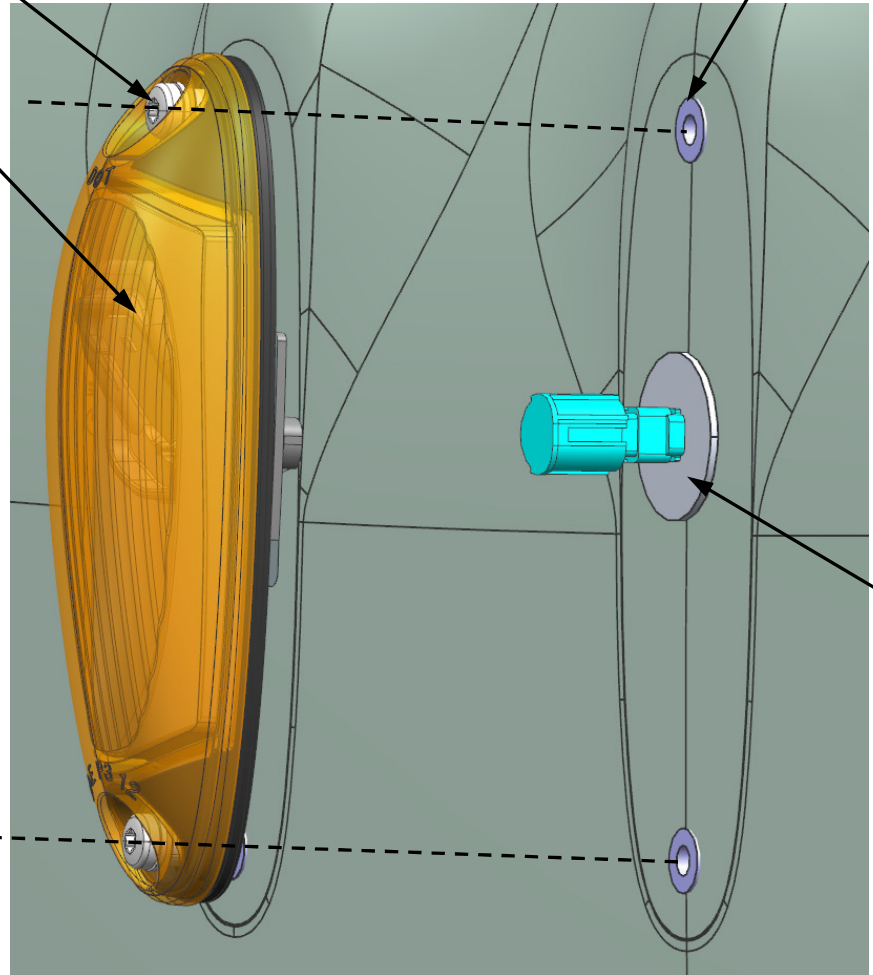


3

REMOVE PAPER FROM
ADHESIVE PAD BEFORE
INSTALLATION

5 4

1



2

2

1