

RELEASE NUMBER	REV LTR	REVISION DESCRIPTION	BY	DATE	APPD
P49752-10	-	INITIAL RELEASE	JKW	12/06/16	JCT
P49752-12	A1	MODULE 152 WAS 151 ON PAGES 2 & 4	KVB	11/02/17	JCT
	A2	CORRECTED THE SPELLING OF FASTENERS			

DELIVERY MUST CONFORM EXACTLY WITH DRAWING SPECIFICATIONS AND, WHERE REQUIRED BY Q.A., WITH APPROVED Q.A. SAMPLES. ABSOLUTELY NO CHANGES ARE PERMITTED WITHOUT PRIOR APPROVAL BY DTNA. THIS INCLUDES CHANGES TO: SOFTWARE, MATERIALS, INTERNAL COMPONENTS, MANUFACTURING PROCESSES.

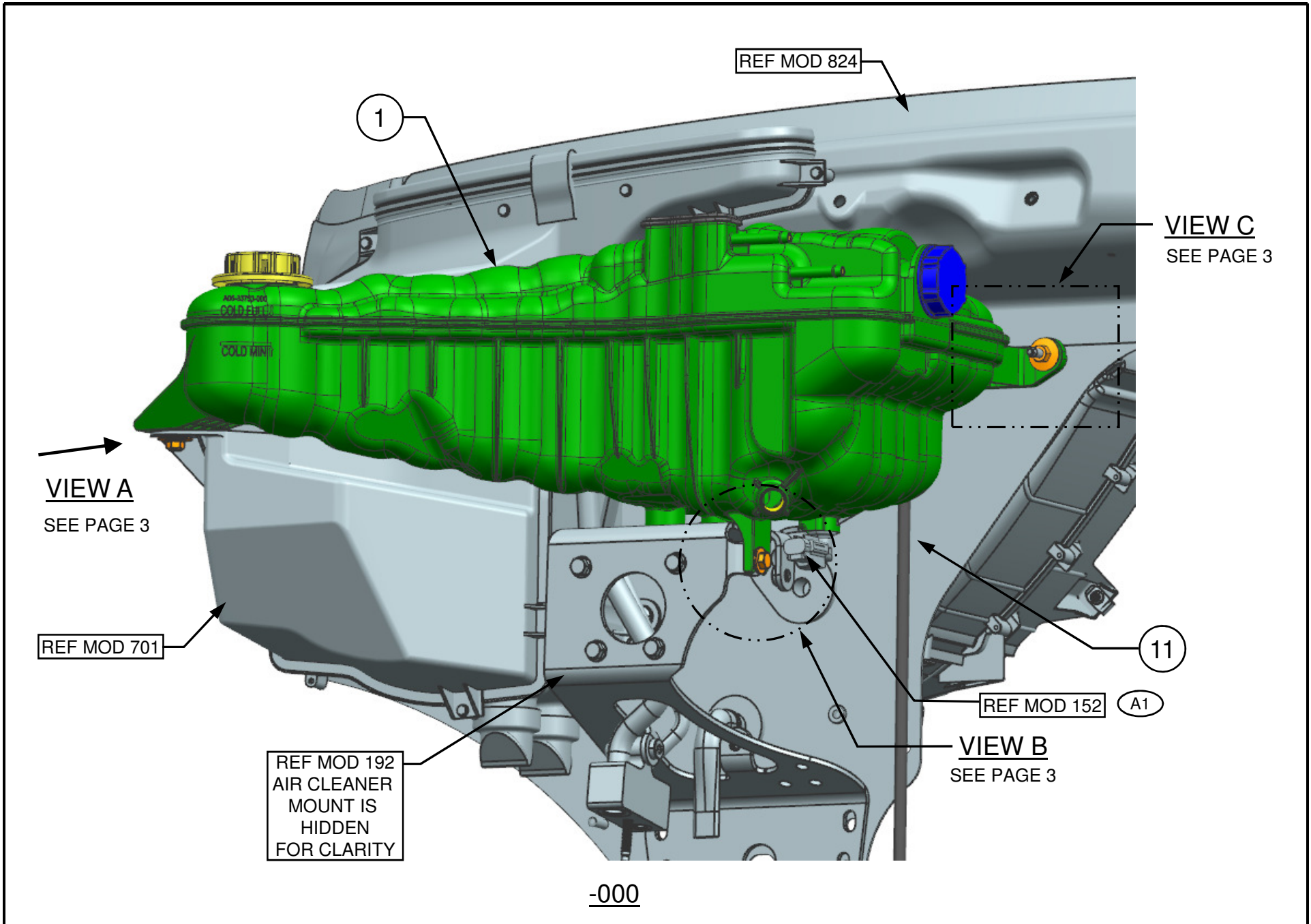


TORQUE M8 NUT 37+/- 2LB.INCH

2

TORQUE FASTENERS PER SPEC 49-00104 UNLESS **A2** OTHERWISE SPECIFIED

ITEM NUMBER D05-33946-001		DESCRIPTION INSTL-SRG TK,WST47,FWL MNT		ITEM NUMBER D05-33946-000		DESCRIPTION INSTL-SRG TK,M2,FWL MNT		DAIMLER		Daimler Trucks North America			
								<small>THE INFORMATION CONTAINED HEREIN IS PROPRIETARY DATA, AND IS NOT FOR DISSEMINATION OR DISCLOSURE, IN WHOLE OR IN PART, FOR ANY PURPOSE OTHER THAN THAT FOR WHICH IT IS SUBMITTED, EXCEPT AS AUTHORIZED IN WRITING BY DAIMLER TRUCKS NORTH AMERICA LLC (DTNA)</small>				<small>UNLESS OTHERWISE NOTED, DIMENSIONS AND TOLERANCES ARE DEFINED ACCORDING TO ASME Y14.5M- 1994, WITH EXCEPTION PER DTNA 09ENG-WI037</small>	
MATERIAL APPROVAL N/A		DATE N/A		THIRD ANGLE PROJECTION 		UNITS OF MEASURE MM		INSTL-SRG TK,MD/SD,FWL MNT					
DRAWN BY J. WAGSTAFF		DATE 12/06/16											
CHECKED BY J. TURNEY		DATE 12/06/16		SUPPLEMENTAL DESCRIPTION 26701				ITEM/DRAWING NUMBER D05-33946		REVISION LETTER A		PAGE 1 of 5	
RESPONSIBLE ENGINEER K. LUNDQUIST		DATE 12/06/16											
APPROVED BY J. TURNEY		DATE 12/06/16											



THE INFORMATION CONTAINED HEREIN IS PROPRIETARY DATA, AND IS NOT FOR DISSEMINATION OR DISCLOSURE, IN WHOLE OR IN PART, FOR ANY PURPOSE OTHER THAN THAT FOR WHICH IT IS SUBMITTED, EXCEPT AS AUTHORIZED IN WRITING BY DAIMLER TRUCKS NORTH AMERICA LLC (DTNA)

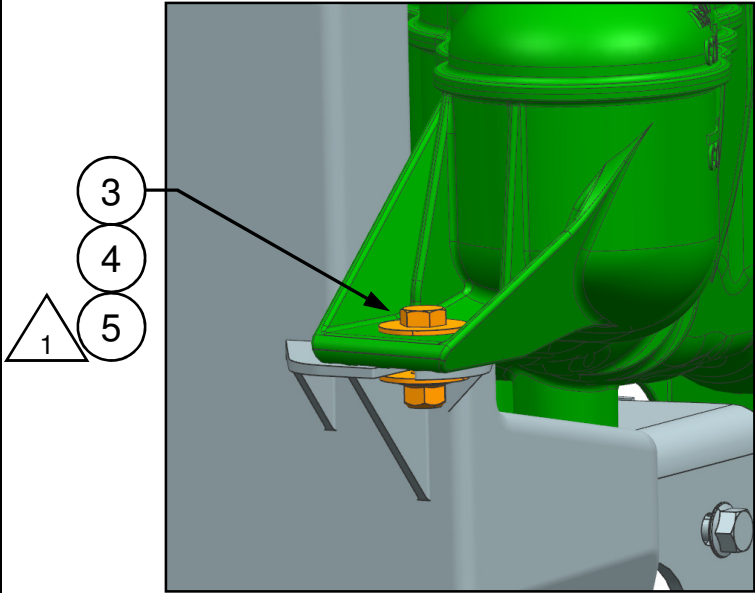
DAIMLER

Daimler Trucks
North America

ITEM/DRAWING NUMBER
D05-33946

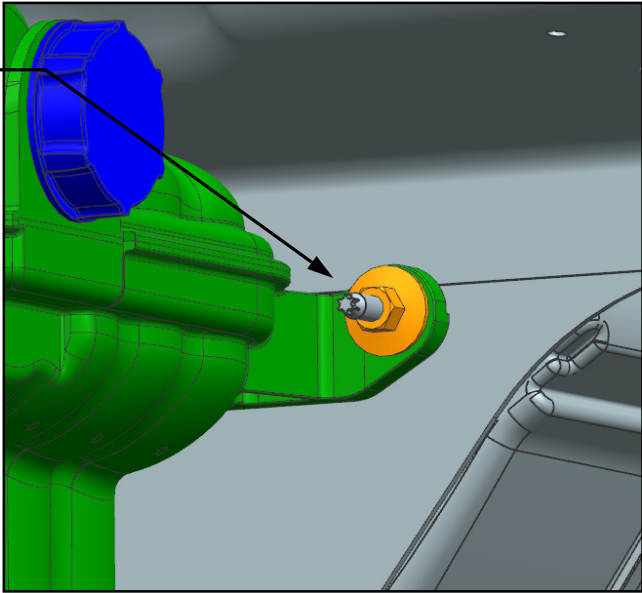
REVISION LETTER
A

PAGE
2 of 5

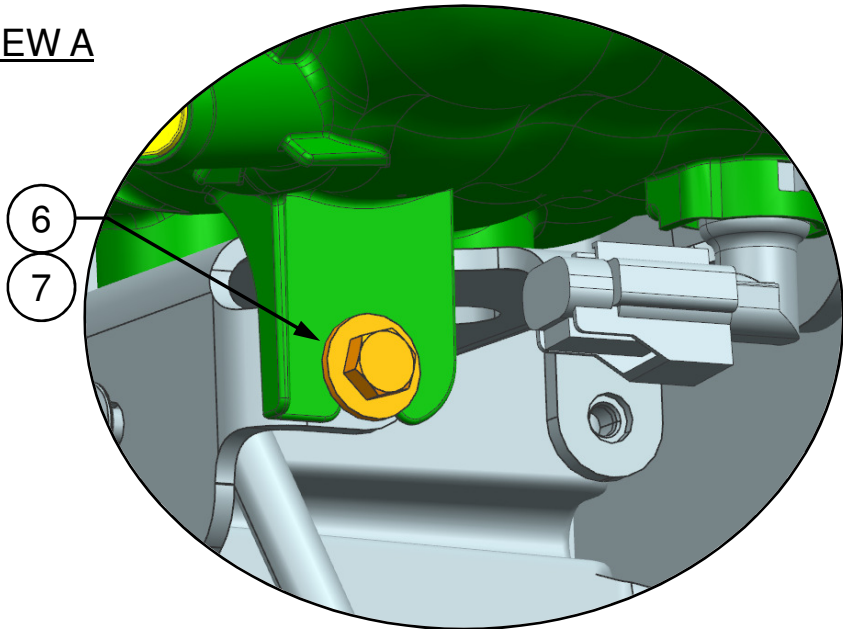


VIEW A

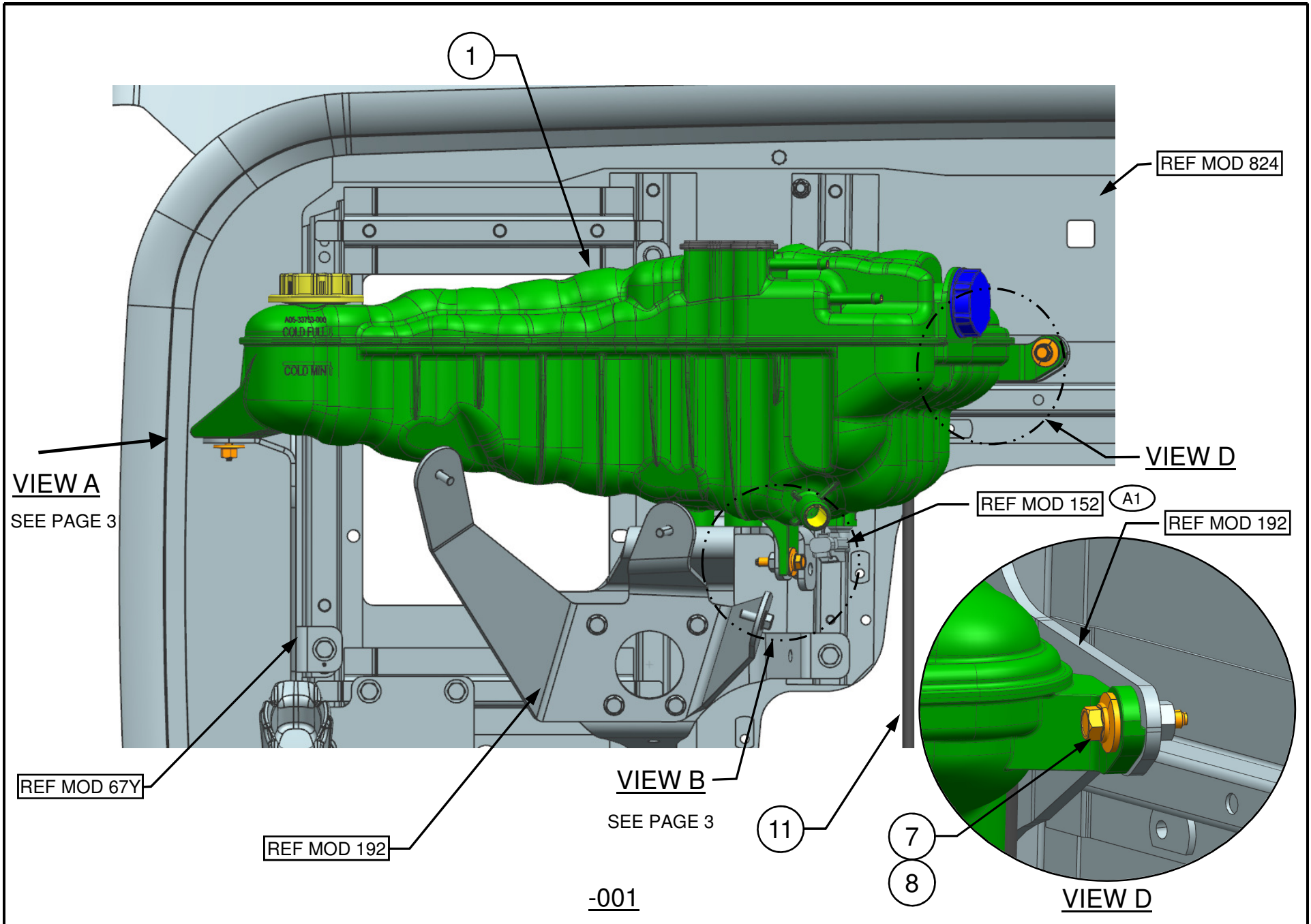
USE EXISTING HARDWARE
FROM FRONT WALL



VIEW C



VIEW B



THE INFORMATION CONTAINED HEREIN IS PROPRIETARY DATA, AND IS NOT FOR DISSEMINATION OR DISCLOSURE, IN WHOLE OR IN PART, FOR ANY PURPOSE OTHER THAN THAT FOR WHICH IT IS SUBMITTED, EXCEPT AS AUTHORIZED IN WRITING BY DAIMLER TRUCKS NORTH AMERICA LLC (DTNA)



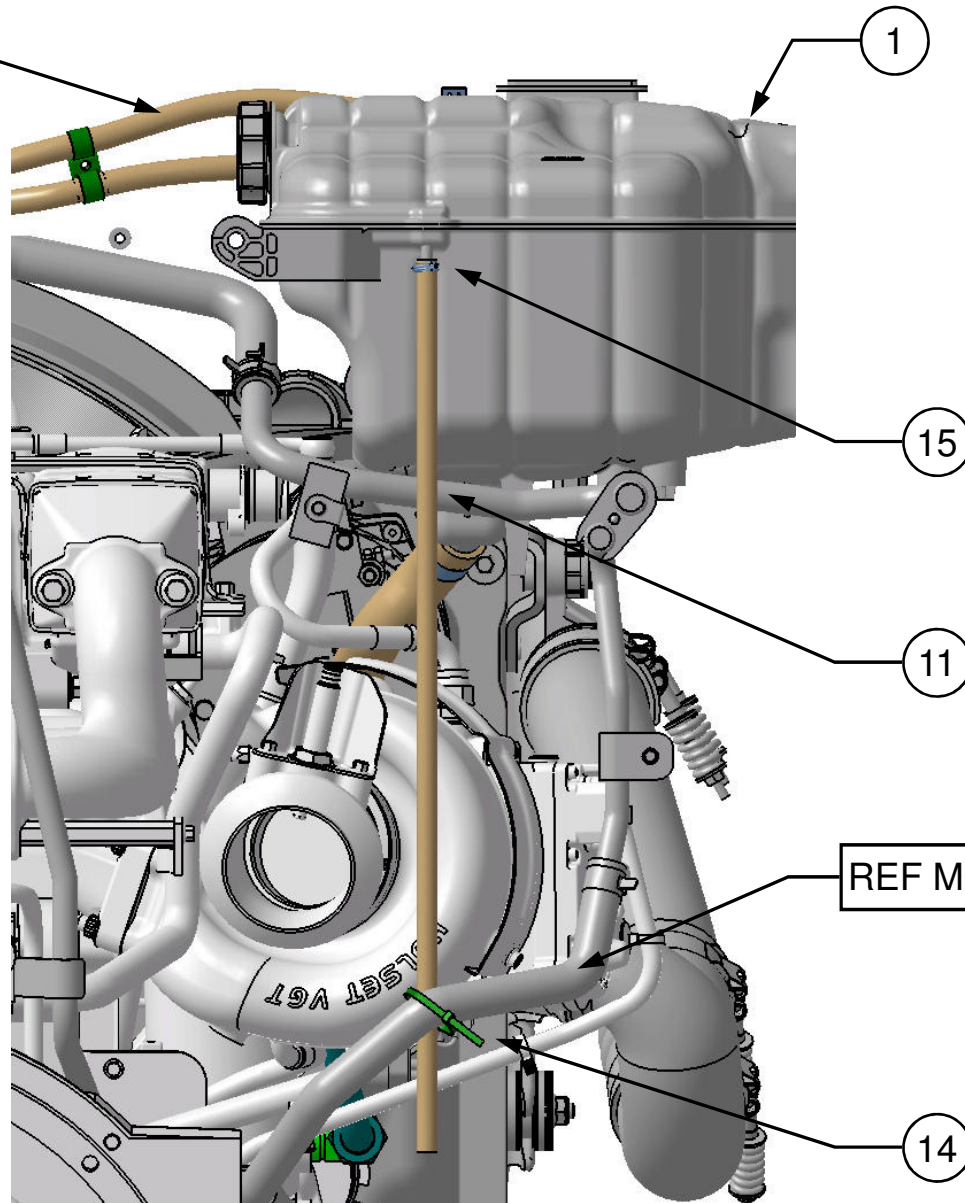
Daimler Trucks
North America

ITEM/DRAWING NUMBER
D05-33946

REVISION LETTER
A

PAGE
4 of 5

REF MODULE 27H



INSTALLATION OF SURGE TANK DRAIN -000/001