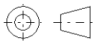
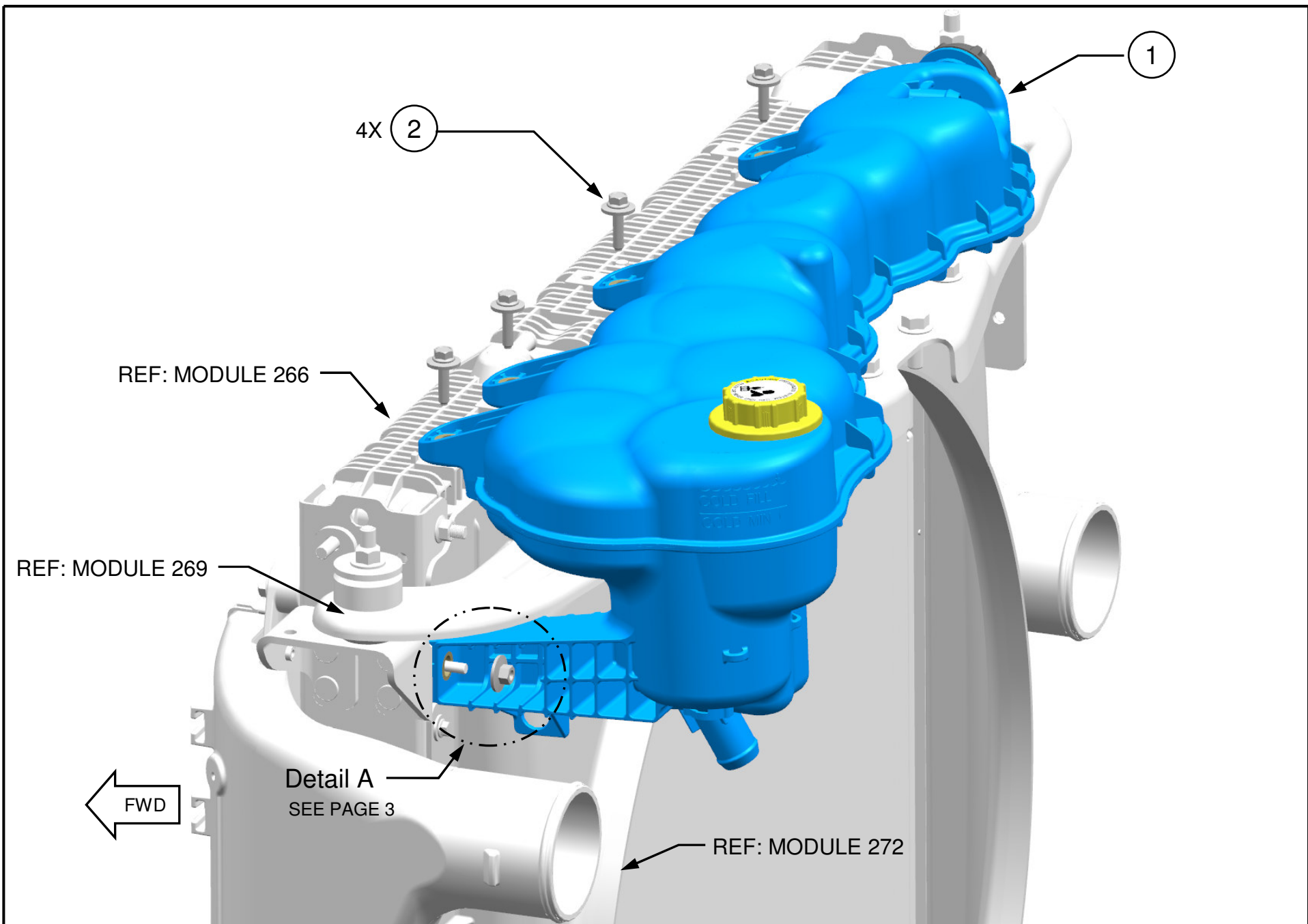
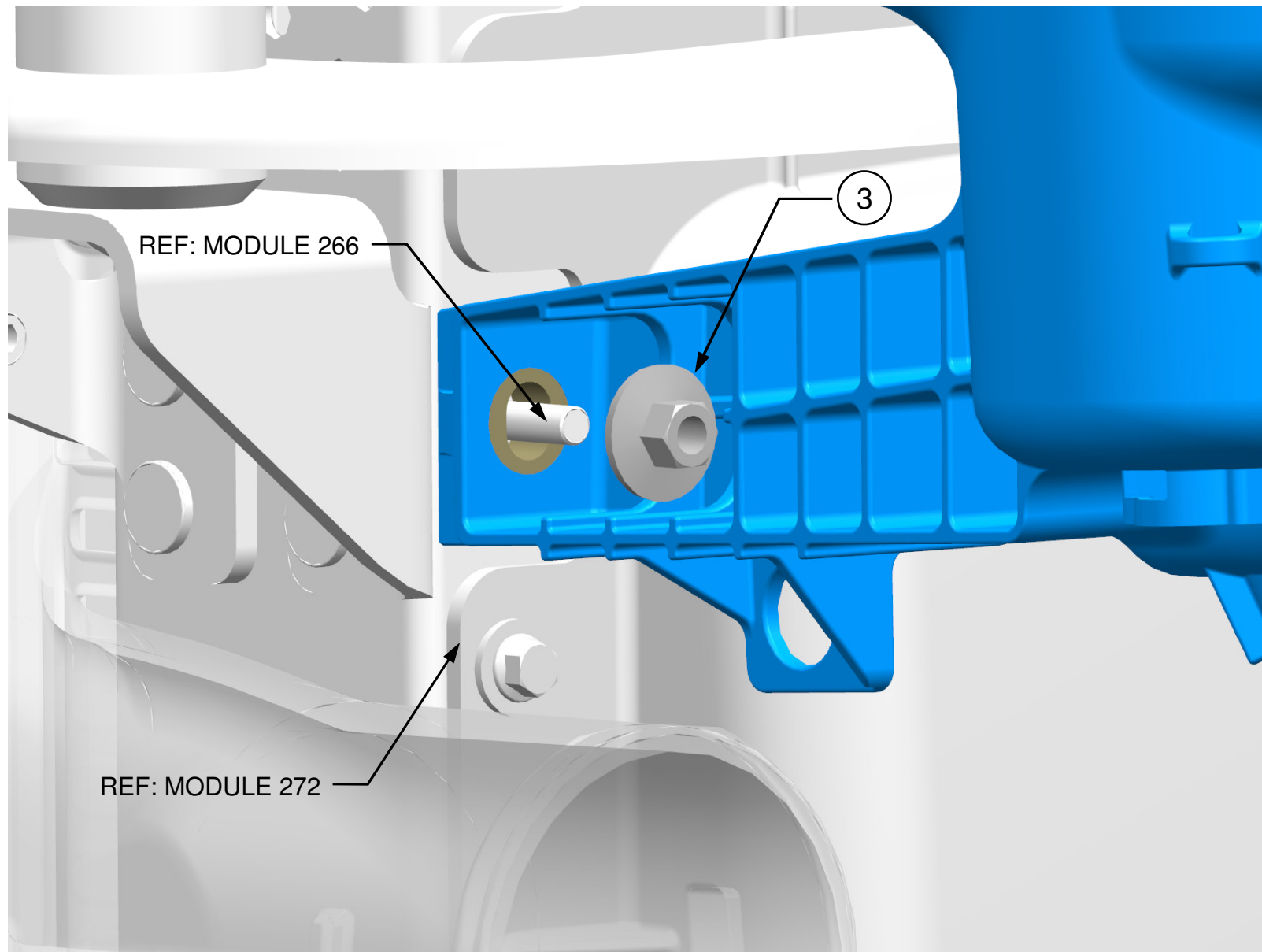


RELEASE NUMBER	REV LTR	REVISION DESCRIPTION	BY	DATE	APPD
P46749-14	-	INITIAL RELEASE	A9M	11/06/15	JHN

1. TORQUE ALL FASTENERS TO 20 FT.LBS +/- 2 FT.LBS

ITEM NUMBER D05-33335-000	DESCRIPTION INST-SURGE TANK,RADIATOR MTD	<b>DAIMLER</b>		Daimler Trucks North America			
		THE INFORMATION CONTAINED HEREIN IS PROPRIETARY DATA, AND IS NOT FOR DISSEMINATION OR DISCLOSURE, IN WHOLE OR IN PART, FOR ANY PURPOSE OTHER THAN THAT FOR WHICH IT IS SUBMITTED, EXCEPT AS AUTHORIZED IN WRITING BY DAIMLER TRUCKS NORTH AMERICA LLC (DTNA)					
		MATERIAL APPROVAL		DATE		UNLESS OTHERWISE NOTED, DIMENSIONS AND TOLERANCES ARE DEFINED ACCORDING TO ASME Y14.5M-1994, WITH EXCEPTION PER DTNA 09ENG-WI037	
		N/A		N/A			
		DRAWN BY A.MORA		DATE 11/06/15			
		CHECKED BY J.NOSLER		DATE 11/06/15			
		RESPONSIBLE ENGINEER		DATE		THIRD ANGLE PROJECTION 	
		A.MORA		11/06/15			
		APPROVED BY J.NOSLER		DATE 11/06/15			
		DESCRIPTION <b>INST-SURGE TANK,RADIATOR MTD</b>					
SUPPLEMENTAL DESCRIPTION 267A1							
ITEM/DRAWING NUMBER <b>D05-33335</b>				REVISION LETTER -			
				PAGE 1 of 3			





DETAIL A