

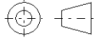
RELEASE NUMBER	REV LTR	REVISION DESCRIPTION	BY	DATE	APPD
P34034-03	-	INITIAL RELEASE	MSP	02/26/09	FWM
P40560-13	A	ADDED -001 PAGE 4	K8S	09/08/11	FWM
PWST08-64	B	REF 008 WAS 006 ON VIEW D PAGE 4	K2C	02/07/13	KKC

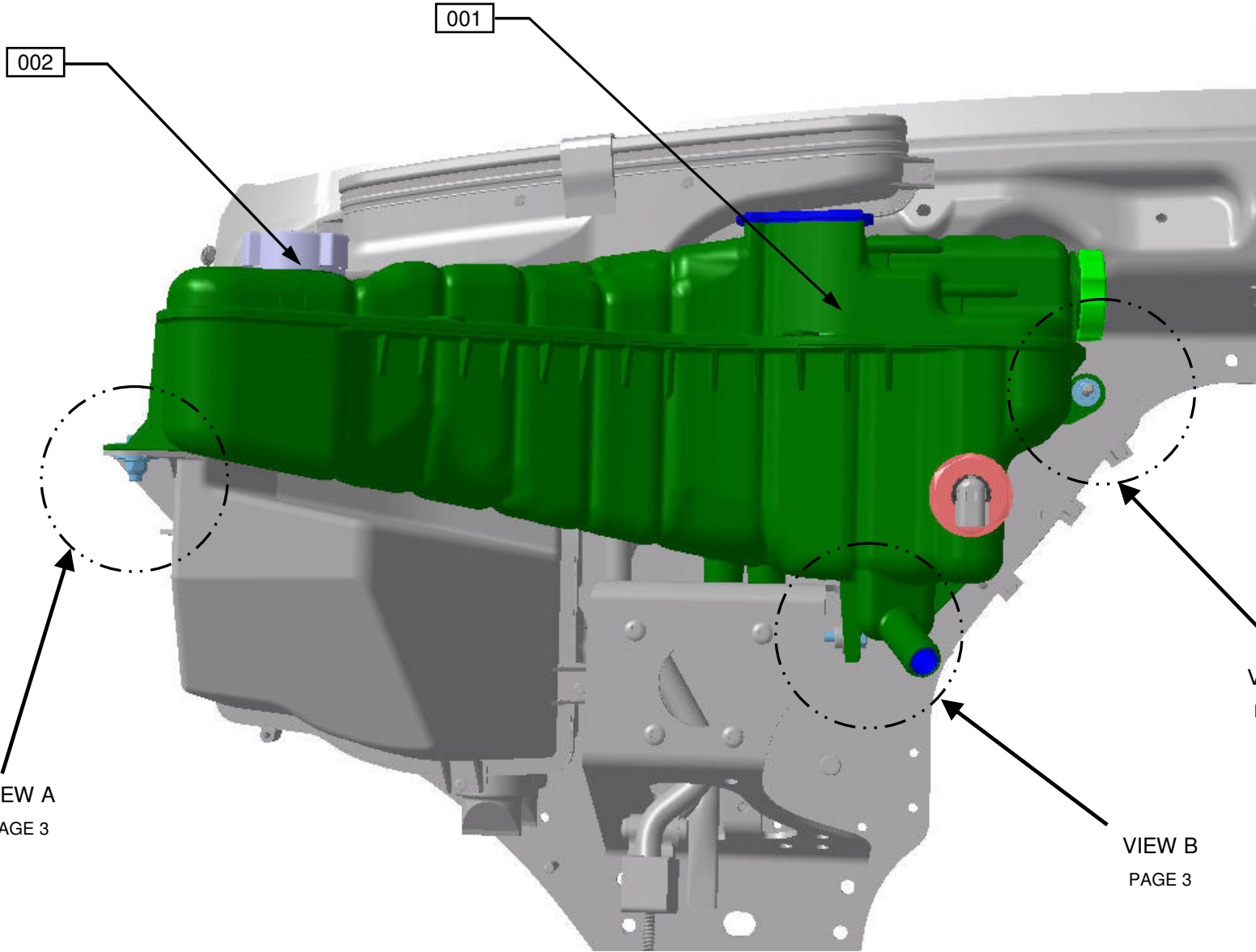


1 TORQUE M8 NUT 37+/- 2LB.INCH

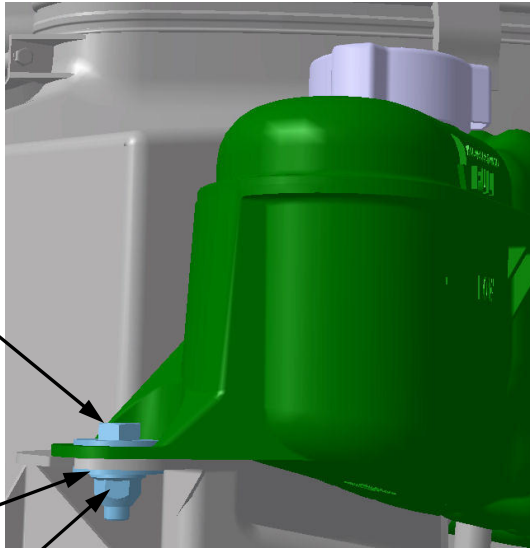
2 TORQUE FASTENERS PER SPEC 49-00104 UNLESS OTHERWISE SPECIFIED

DELIVERY MUST CONFORM EXACTLY WITH DRAWING SPECIFICATIONS AND, WHERE REQUIRED BY Q.A., WITH APPROVED Q.A. SAMPLES. ABSOLUTELY NO CHANGES ARE PERMITTED WITHOUT PRIOR APPROVAL BY DTNA. THIS INCLUDES CHANGES TO: SOFTWARE, MATERIALS, INTERNAL COMPONENTS, MANUFACTURING PROCESSES.

ITEM NUMBER D05-28930-001	DESCRIPTION INSTL-SURGE TANK WST FIREWALL MTD	ITEM NUMBER D05-28930-000	DESCRIPTION INSTL-SURGE TANK M2 FIREWALL MTD	DAIMLER		Daimler Trucks North America	
				THE INFORMATION CONTAINED HEREIN IS PROPRIETARY DATA, AND IS NOT FOR DISSEMINATION OR DISCLOSURE, IN WHOLE OR IN PART, FOR ANY PURPOSE OTHER THAN THAT FOR WHICH IT IS SUBMITTED, EXCEPT AS AUTHORIZED IN WRITING BY DAIMLER TRUCKS NORTH AMERICA LLC (DTNA)			
MATERIAL APPROVAL F.MENCHE		DATE 02/26/09		UNLESS OTHERWISE NOTED, DIMENSIONS AND TOLERANCES ARE DEFINED ACCORDING TO ASME Y14.5M-1994, WITH EXCEPTION PER DTNA 09ENG-WI037			
DRAWN BY M.PEARCE		DATE 02/26/09					
CHECKED BY F.MENCHE		DATE 02/26/09		THIRD ANGLE PROJECTION 			
RESPONSIBLE ENGINEER J.NOSLER		DATE 02/26/09					
APPROVED BY F.MENCHE		DATE 02/26/09		UNITS OF MEASURE MM			
DESCRIPTION INSTL-SURGE TANK, FIRE WALL MOUNTED							
SUPPLEMENTAL DESCRIPTION 267A1							
ITEM/DRAWING NUMBER D05-28930				REVISION LETTER B		PAGE 1 of 4	



-000



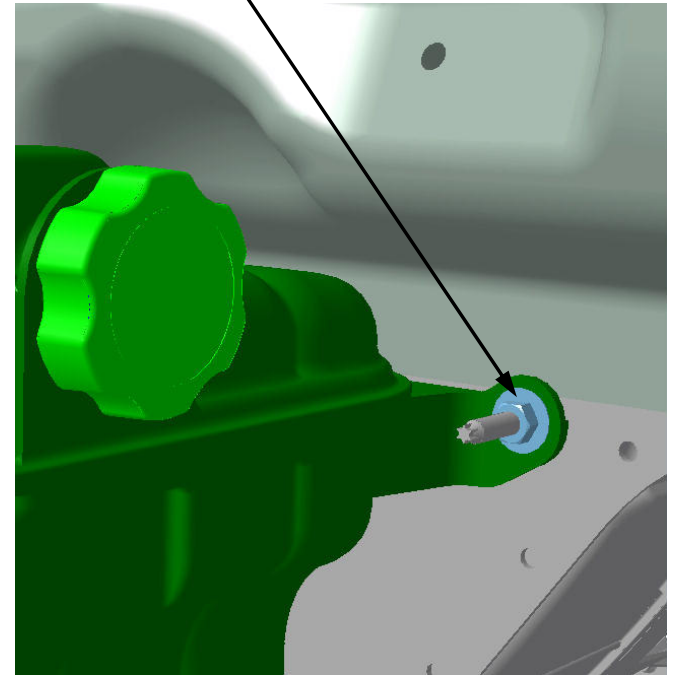
VIEW A

003

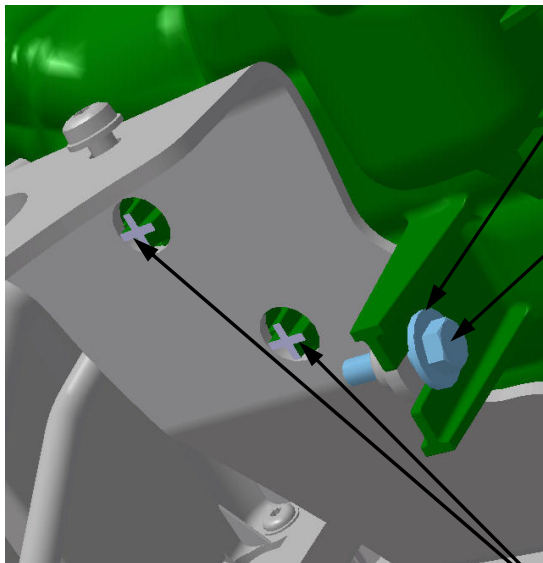
2X 004

1 005

USE EXISTING HARDWARE TO
ATTACH TANK TO FIREWALL



VIEW C



VIEW B

FEET ON THE BOTTOM OF TANK INSERT IN
HOLES IN AIR CLEANER BRACKET.

007

006

VIEW A
PAGE 3

002

001

VIEW D

VIEW B
PAGE 3

REF MOD
192

REF MOD
192

B 008
007

-001

VIEW D