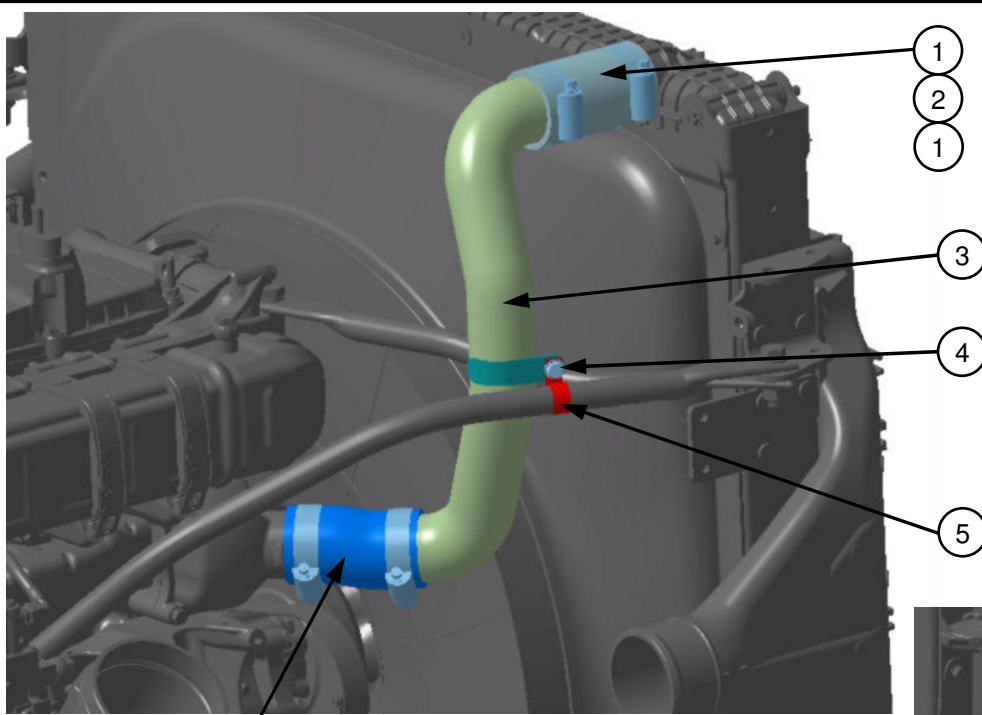


RELEASE NUMBER	REV LTR	REVISION DESCRIPTION	BY	DATE	APPD
P34172-03	-	INITIAL RELEASE	MRP	05/09/08	PGV
P34172-07	A	REVISED UPPER PLUMBING SUPPORT. ADDED -001 AND -002.	MRP	03/03/09	PGV

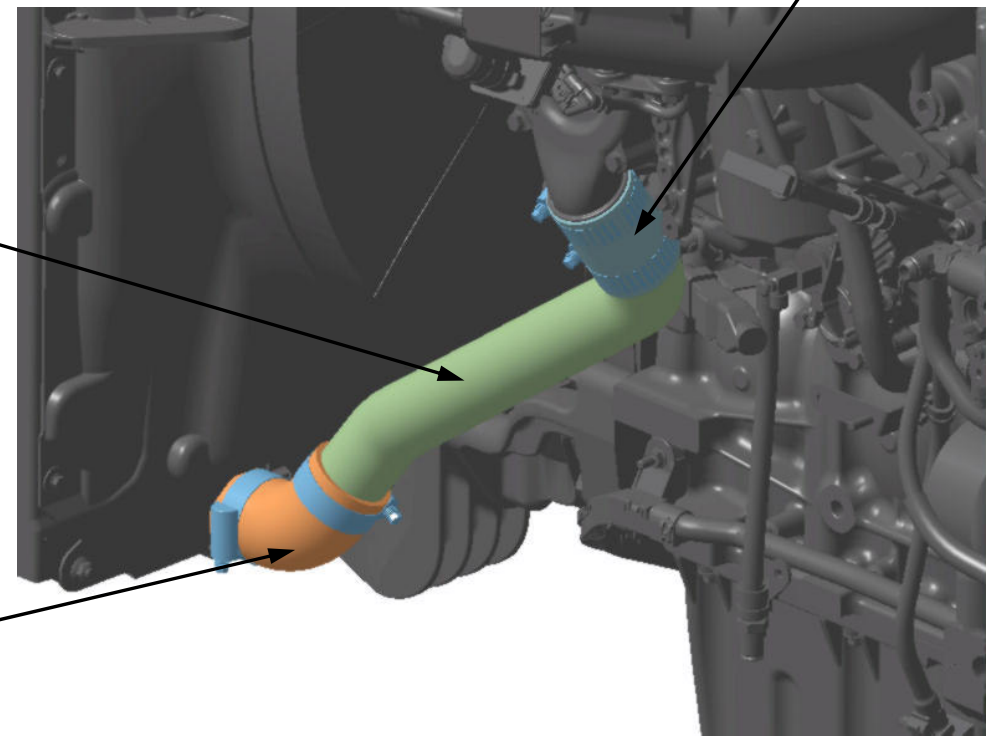
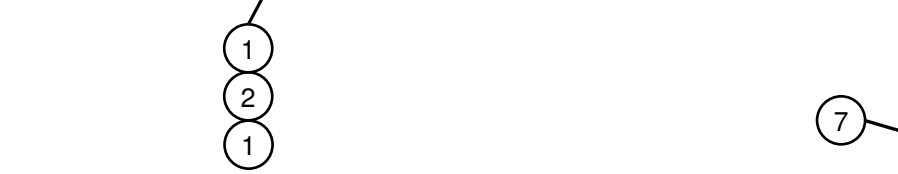
1 SEE MODULE 270 FOR ADDITIONAL INSTALLATION DETAILS.

DAIMLER		Daimler Trucks North America	
THE INFORMATION CONTAINED HEREIN IS PROPRIETARY DATA, AND IS NOT FOR DISSEMINATION OR DISCLOSURE, IN WHOLE OR IN PART, FOR ANY PURPOSE OTHER THAN THAT FOR WHICH IT IS SUBMITTED, EXCEPT AS AUTHORIZED IN WRITING BY FREIGHTLINER LLC.			
MATERIAL APPROVAL	DATE	MFG ENG/PURCH AGENT	DATE
		P.MCCOLE	04/02/08
DRAWN BY	DATE	CHECKED BY	DATE
M.PIER	05/09/08	P.VANONI	09/19/08
RESPONSIBLE ENGINEER	DATE	APPROVED BY	DATE
D.BORSKI	05/09/08	P.VANONI	05/09/08
DESCRIPTION			
INSTL-RAD PLMB,DD15,DD13,24U,W110			
SUPPLEMENTAL DESCRIPTION			
270A1			
ITEM/DRAWING NUMBER		REVISION LETTER	PAGE
D05-28107		A	1 of 4

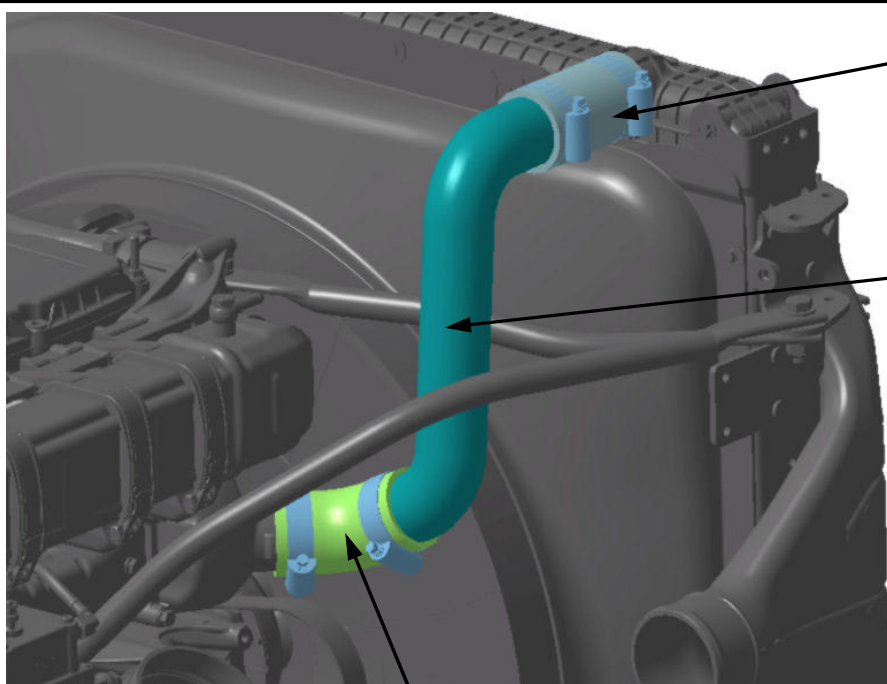
ITEM NUMBER	D05-28107-002
DESCRIPTION	INSTL-RAD PLMB,DD15,13,W110,AUTO
ITEM NUMBER	D05-28107-001
DESCRIPTION	INSTL-RAD PLMB,DD15,13,W100,W110
ITEM NUMBER	D05-28107-000
DESCRIPTION	INSTL-RAD PLMB,DD15,DD13,24U,W110



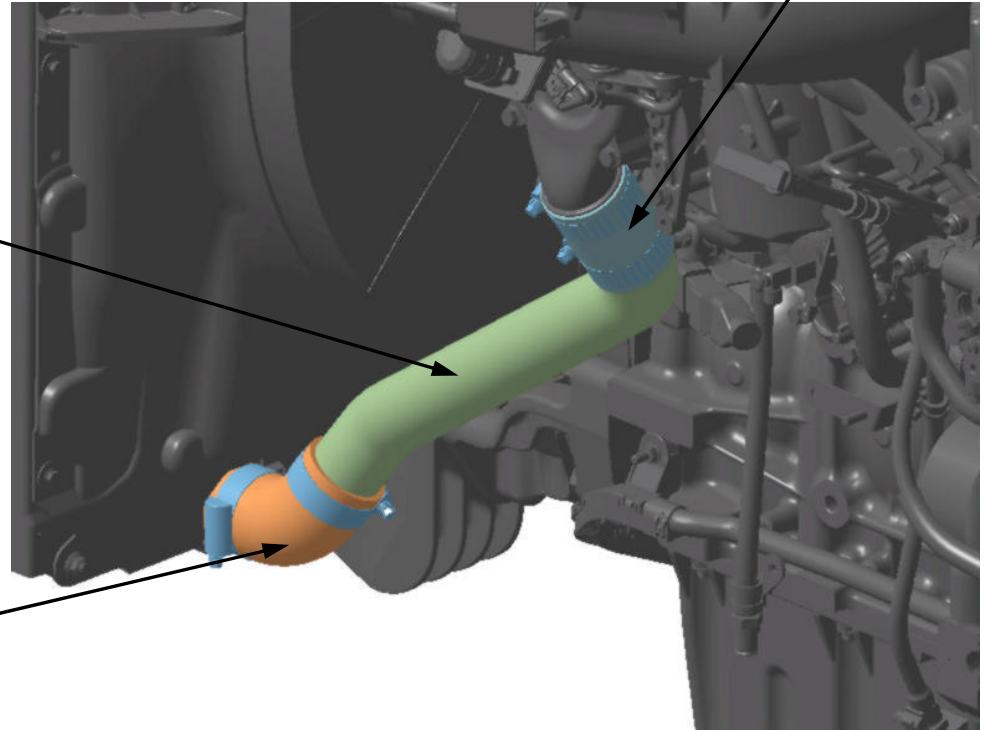
-000



ITEM/DRAWING NUMBER D05-28107	REVISION LETTER A	PAGE 2 of 4
---	-----------------------------	-----------------------



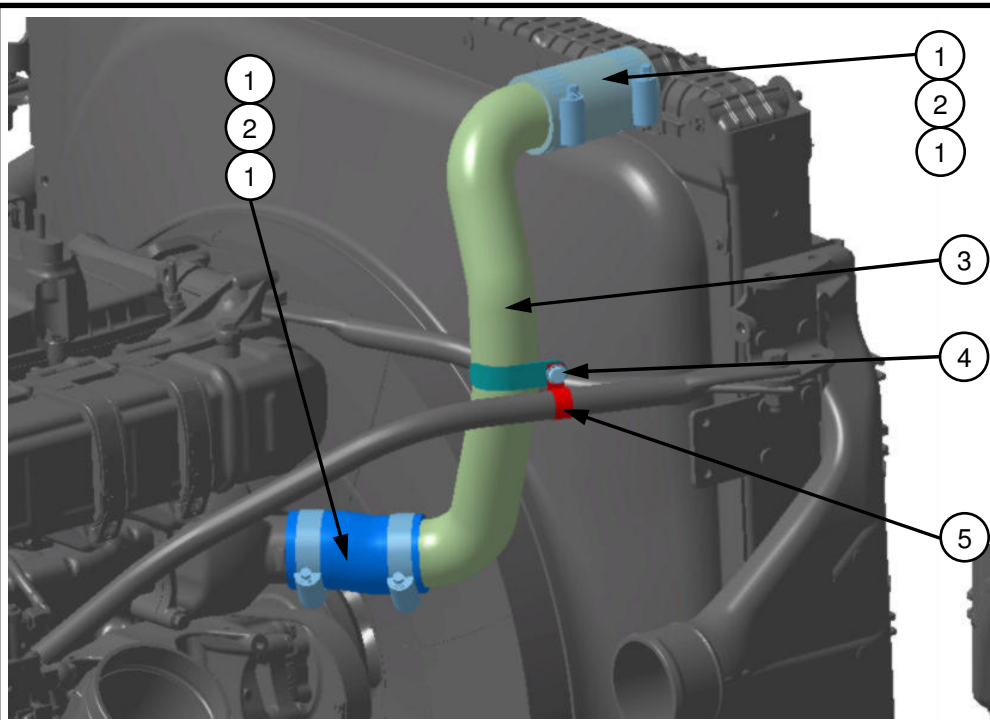
-001



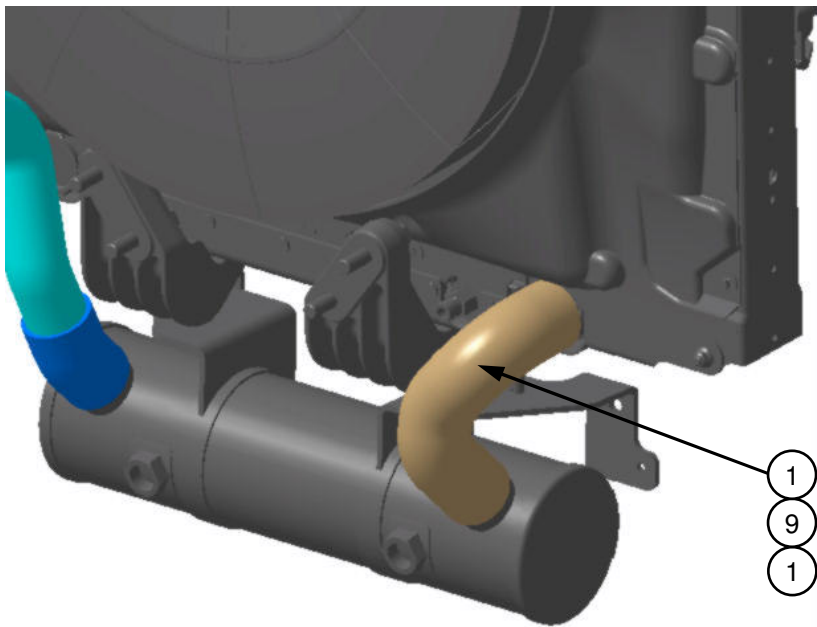
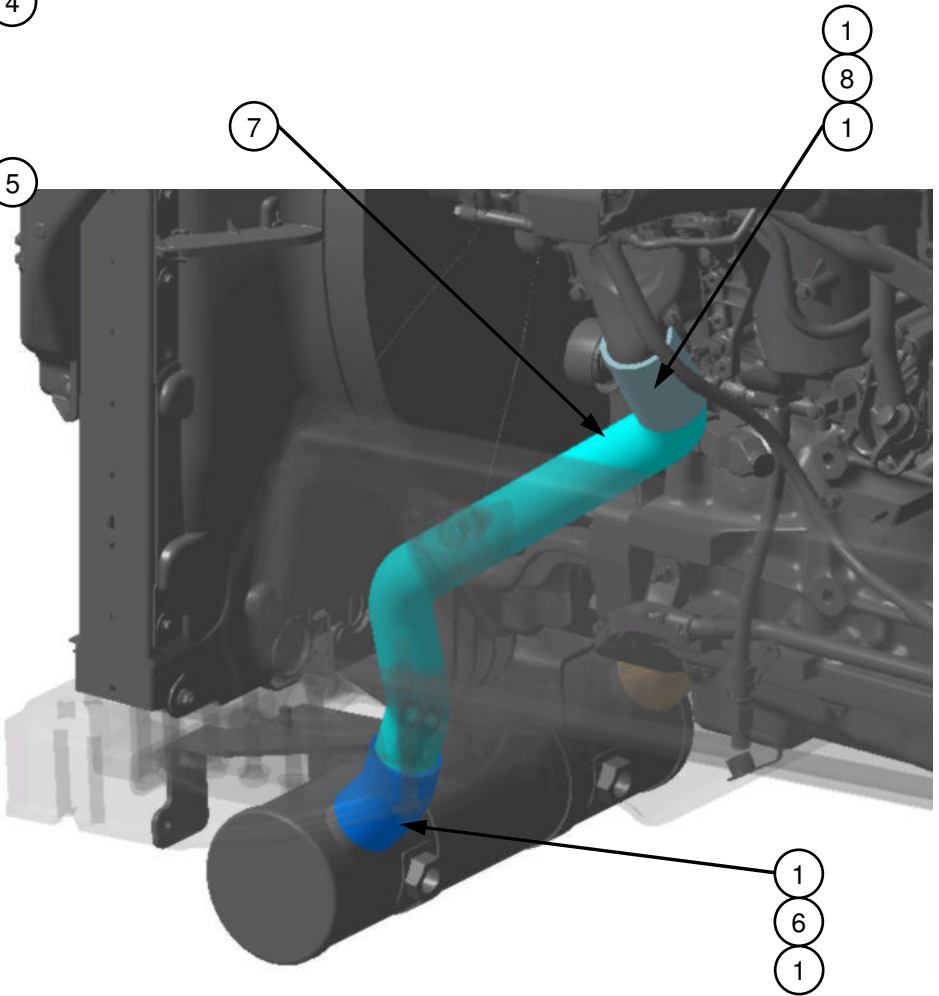
- 1
- 3
- 1

- 1
- 6
- 1

ITEM/DRAWING NUMBER D05-28107	REVISION LETTER A	PAGE 3 of 4
----------------------------------	----------------------	----------------



-002



ITEM/DRAWING NUMBER D05-28107	REVISION LETTER A	PAGE 4 of 4
----------------------------------	----------------------	----------------