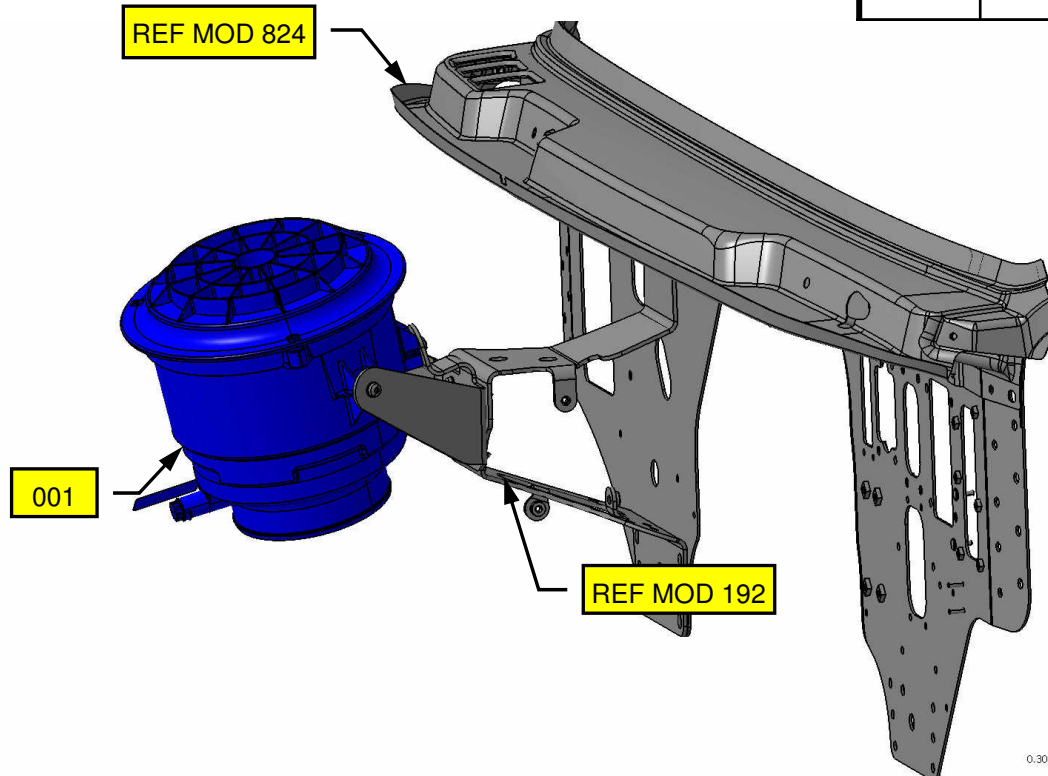
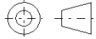


RELEASE NUMBER	REV LTR	REVISION DESCRIPTION	BY	DATE	APPD
P44509-05	-	INITIAL RELEASE	BLP	05/04/12	C2G



0.309

ITEM NUMBER D03-40161-000	DESCRIPTION INSTL,AIR CLNR,10X6,M2	DAIMLER		Daimler Trucks North America			
		THE INFORMATION CONTAINED HEREIN IS PROPRIETARY DATA, AND IS NOT FOR DISSEMINATION OR DISCLOSURE, IN WHOLE OR IN PART, FOR ANY PURPOSE OTHER THAN THAT FOR WHICH IT IS SUBMITTED, EXCEPT AS AUTHORIZED IN WRITING BY DAIMLER TRUCKS NORTH AMERICA LLC (DTNA)				UNLESS OTHERWISE NOTED, DIMENSIONS AND TOLERANCES ARE DEFINED ACCORDING TO ASME Y14.5M-1994, WITH EXCEPTION PER DTNA 09ENG-WI037	
		MATERIAL APPROVAL		DATE			
		N/A		N/A			
		DRAWN BY B.PUIG		DATE 05/04/12			
CHECKED BY C.GEDRAITIS		DATE 05/04/12		THIRD ANGLE PROJECTION 			
RESPONSIBLE ENGINEER		DATE					
B.PUIG		05/04/12					
APPROVED BY C.GEDRAITIS		DATE 05/04/12		UNITS OF MEASURE MM			
DESCRIPTION INSTL,AIR CLNR,10X6,M2							
SUPPLEMENTAL DESCRIPTION							
ITEM/DRAWING NUMBER D03-40161			REVISION LETTER -		PAGE 1 of 1		