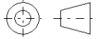
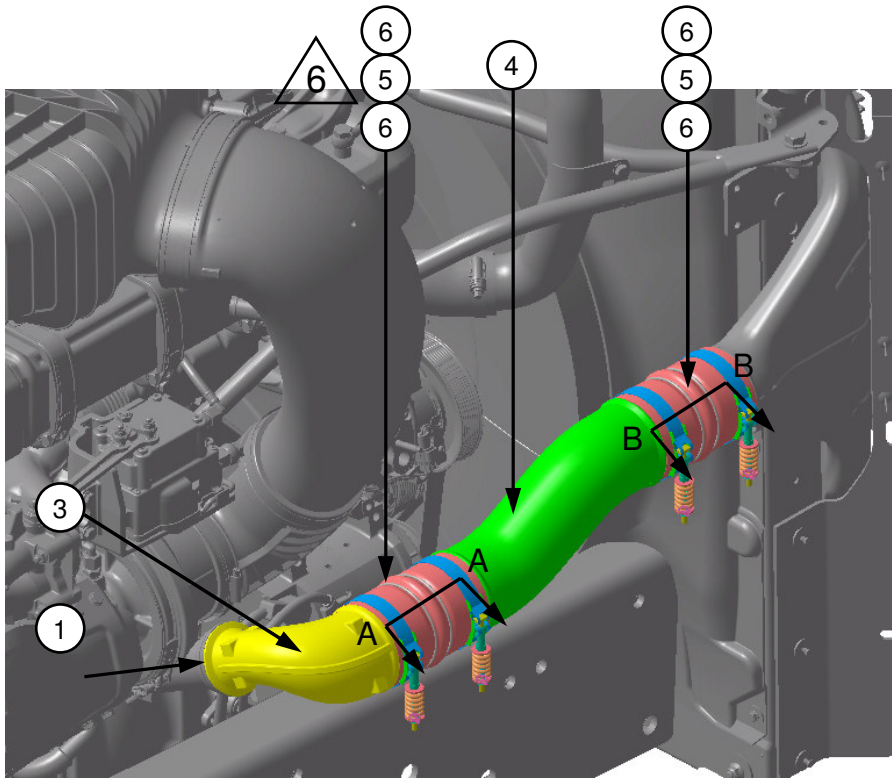


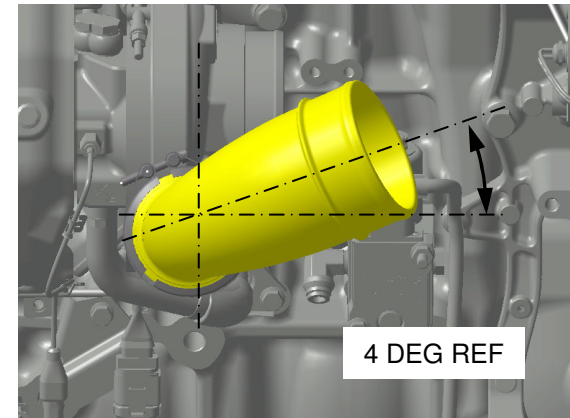
RELEASE NUMBER	REV LTR	REVISION DESCRIPTION	BY	DATE	APPD
P40276-03	-	INITIAL RELEASE	LMG	03/01/11	PGV
P40276-06	A	ADDED TURBO OUTLET ELBOW REFERENCE ANGLE	LMG	08/24/11	PGV

1. SEE MODULE 261 FOR ADDITIONAL INSTALLATION DETAILS.
2. SOME PARTS NOT SHOWN FOR CLARITY.
3. TORQUE ITEMS 6 AND 7 (CLAMPS) TO 11 ± 1 NM (98 ± 10 LB/IN).
4. TORQUE ITEM 1 TO 7 ± 1 NM (62 ± 10 LB/IN).
5. INSTALL ITEM 2 ON ITEM 3 PRIOR TO ASSEMBLY.

ITEM NUMBER D01-33009-000	DESCRIPTION INSTL-CAC,DD15,W1600,W1700,W1900	DAIMLER		Daimler Trucks North America	
		THE INFORMATION CONTAINED HEREIN IS PROPRIETARY DATA, AND IS NOT FOR DISSEMINATION OR DISCLOSURE, IN WHOLE OR IN PART, FOR ANY PURPOSE OTHER THAN THAT FOR WHICH IT IS SUBMITTED, EXCEPT AS AUTHORIZED IN WRITING BY DAIMLER TRUCKS NORTH AMERICA LLC (DTNA)			
		MATERIAL APPROVAL N/A	DATE N/A	UNLESS OTHERWISE NOTED, DIMENSIONS AND TOLERANCES ARE DEFINED ACCORDING TO ASME Y14.5M-1994, WITH EXCEPTION PER DTNA 09ENG-WI037	
		DRAWN BY L.GRECU	DATE 03/01/11		
		CHECKED BY P.VANONI	DATE 03/01/11		
RESPONSIBLE ENGINEER D.AUBURG	DATE 03/01/11				
APPROVED BY P.VANONI	DATE 03/01/11	THIRD ANGLE PROJECTION		UNITS OF MEASURE MM	
DESCRIPTION		INSTL-CAC,DD15,24U,WST			
SUPPLEMENTAL DESCRIPTION		261A1			
ITEM/DRAWING NUMBER			REVISION LETTER		PAGE
D01-33009			A		1 of 3



ORIENT CLAMPS FACING DOWN AS SHOWN WHEREVER POSSIBLE.

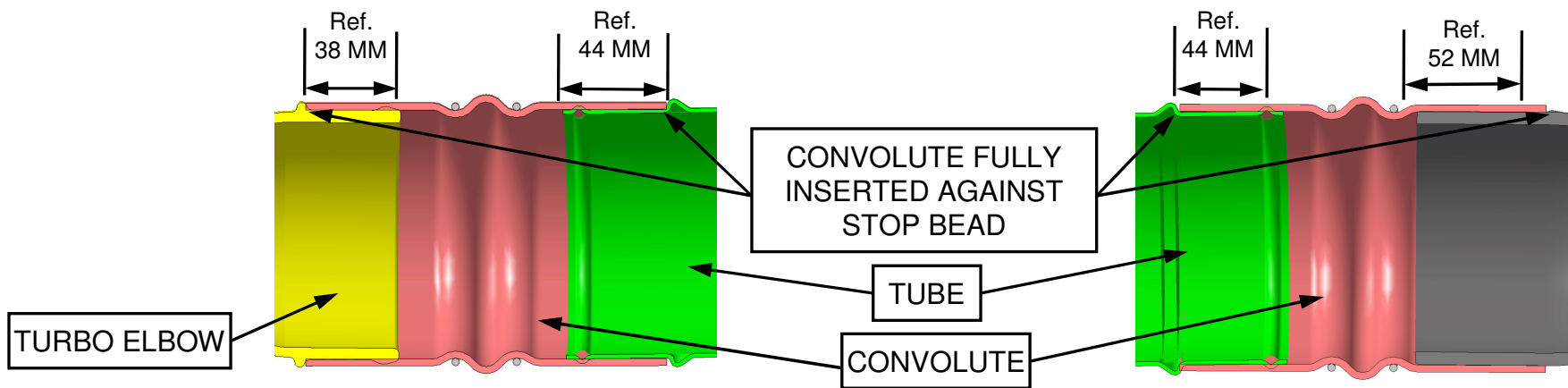


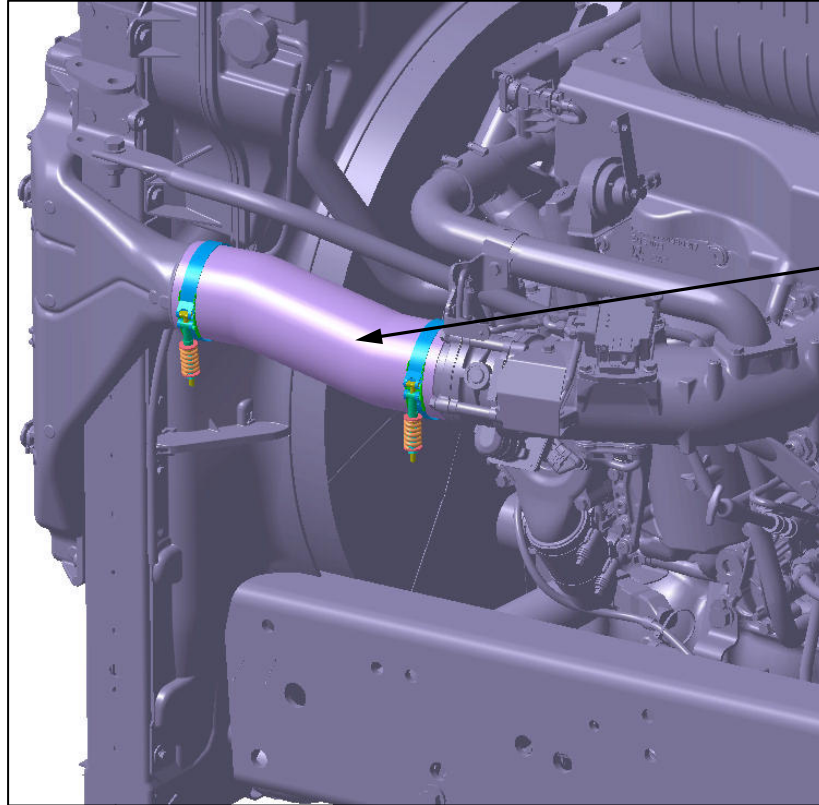
NORMAL TO TURBO OUTLET

2

SECTION A-A

SECTION B-B





7
8
7