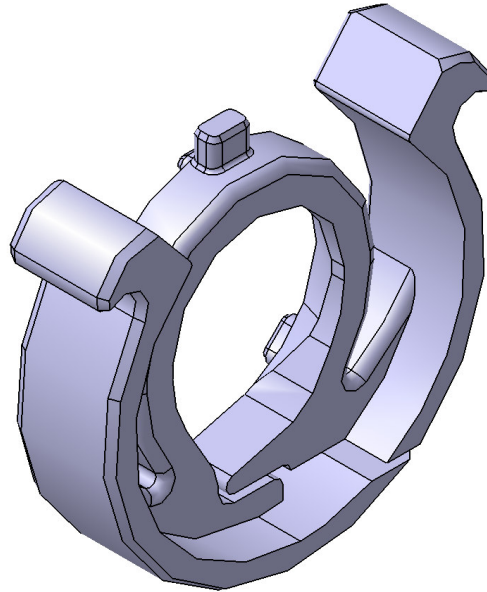


RELEASE NUMBER	REV LTR	REVISION DESCRIPTION	BY	DATE	APPD
P38587-13	-	INITIAL RELEASE	YAH	01/29/10	GRR



FOR REFERENCE ONLY

DELIVERY MUST CONFORM EXACTLY WITH DRAWING SPECIFICATIONS AND, WHERE REQUIRED BY Q.A., WITH APPROVED Q.A. SAMPLES. ABSOLUTELY NO CHANGES ARE PERMITTED WITHOUT PRIOR APPROVAL BY DTNA. THIS INCLUDES CHANGES TO: SOFTWARE, MATERIALS, INTERNAL COMPONENTS, MANUFACTURING PROCESSES.

1. SUPPLIER: VOSS AUTOMOTIVE
2. -000: VOSS 5841001200
3. -001: VOSS 5841001300
4. IDENTIFY COMPONENT PER SPEC 49-00051

3		2		DAIMLER		Daimler Trucks North America	
THE INFORMATION CONTAINED HEREIN IS PROPRIETARY DATA, AND IS NOT FOR DISSEMINATION OR DISCLOSURE, IN WHOLE OR IN PART, FOR ANY PURPOSE OTHER THAN THAT FOR WHICH IT IS SUBMITTED, EXCEPT AS AUTHORIZED IN WRITING BY DAIMLER TRUCKS NORTH AMERICA LLC (DTNA)							
ITEM NUMBER 04-28829-001	DESCRIPTION CLIP – DEF LINE, 3/8"	ITEM NUMBER 04-28829-000	DESCRIPTION CLIP – DEF LINE, 5/16"	MATERIAL APPROVAL	DATE	UNLESS OTHERWISE NOTED, DIMENSIONS AND TOLERANCES ARE DEFINED ACCORDING TO ASME Y14.5M-1994, WITH EXCEPTION PER DTNA 09ENG-WI037	
				G.REIMANN	01/29/10		
				DRAWN BY	DATE		
				Y.HOSAKA	01/29/10		
				CHECKED BY	DATE		
G.REIMANN	01/29/10	THIRD ANGLE PROJECTION 	UNITS OF MEASURE MM				
RESPONSIBLE ENGINEER	DATE						
Y.HOSAKA	01/29/10						
APPROVED BY	DATE						
G.REIMANN	01/29/10						
DESCRIPTION				CLIP – DEF LINE			
SUPPLEMENTAL DESCRIPTION				23W02			
ITEM/DRAWING NUMBER				04-28829		REVISION LETTER	
				-		PAGE	
				1 of 1			